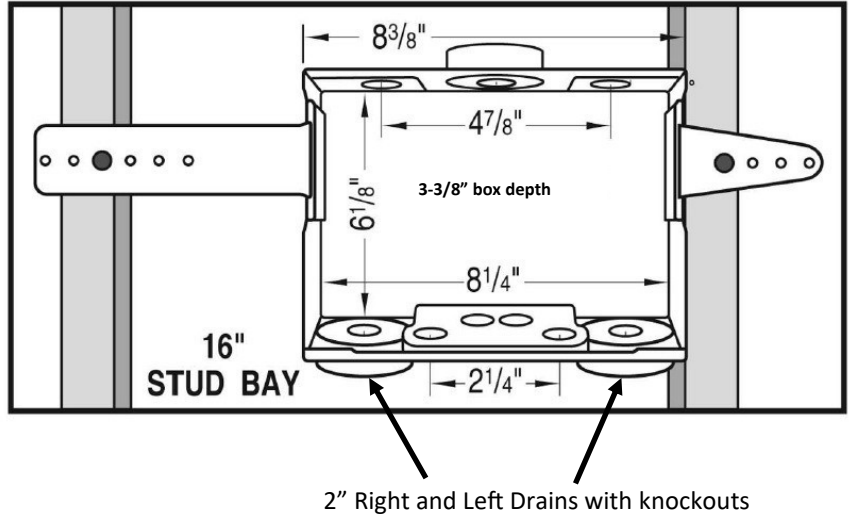
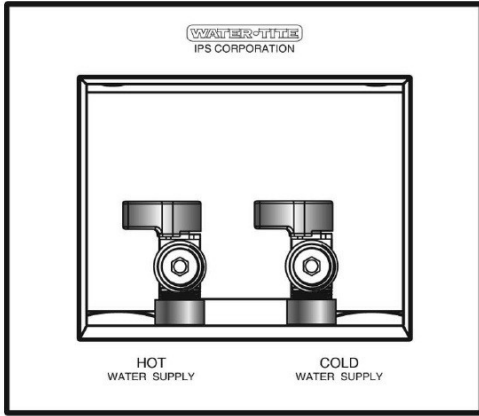


SPECIFICATION SUBMITTAL SHEET

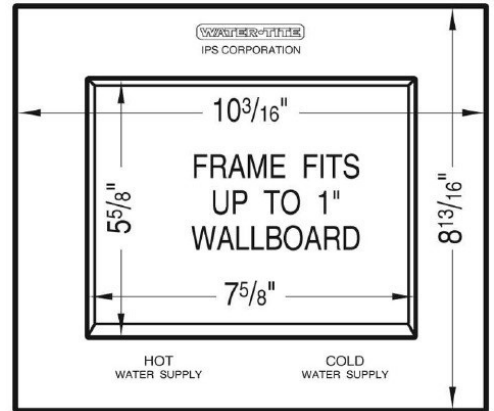


**DU-ALL™ DUAL DRAIN WASHING MACHINE OUTLET BOX**  
With Quarter Turn Valves



**Specifications:**

Furnish and install Du-All dual-drain washing machine outlet box. Du-All box may optionally be installed as top-mount unit. Unit shall be Water-Tite code as manufactured by IPS Corporation. Valves comply with ASME A112.18.1.



Item #	Product Description	Model #	Case Qty.
	Complete Product Listing on Reverse Side		



	Item #	Product Description	Model #	Quantity
	82052	Brass Qtr Turn Valves Installed - 1/2" Sweat Conx.	W2700	10
	82054	Brass Qtr Turn Valves Installed - 1/2" CPVC Conx.	W2701	10
	82056	Brass Qtr Turn Valves Installed - 1/2" PEX Conx.	W2702	10
	85131	Brass Qtr Turn Valves Installed - 3/8" PEX Conx.	W2738	10
	82107	Brass Qtr Turn Valves Unassembled - 1/2" CPVC Conx.	W2704	10
	85614	Brass Qtr Turn Valves Unassembled - 1/2" Sweat Conx.	W2412	10
	82001	Brass Qtr Turn Valves Installed - 1/2" Wirsbo® Conx.	W2711	10
	82008	Brass Qtr Turn Valves Unassembled - 1/2" Wirsbo® Conx.	W2713	10
	82746	Brass Qtr-Turn Valves Installed - REHAU EVERLOC+™ Conx.	W2705	10
	85604	Washer Box Only - No Valves	W2012	10
	<b>Contractor Pack</b>			
	82053	Brass Qtr Turn Valves Installed - 1/2" Sweat Conx.	W2700 CP	20
	82055	Brass Qtr Turn Valves Installed - 1/2" CPVC Conx.	W2701 CP	20
	82057	Brass Qtr Turn Valves Installed - 1/2" PEX Conx.	W2702 CP	20
	85132	Brass Qtr Turn Valves Installed - 3/8" PEX Conx.	W2738 CP	20
	82002	Brass Qtr Turn Valves Installed - 1/2" Wirsbo® Conx.	W2711 CP	20
	82322	Brass Qtr Turn Valves Installed - 1/2" Viega PF	W2722CP	20
	82747	Brass Qtr-Turn Valves Installed - REHAU EVERLOC+ Conx.	W2705CP	20
	<b>10 N 1 Dual Drain Washer Box</b>			
	85121	Brass Qtr Turn Valves Unassembled - 1/2" Sweat Conx.	W2121	10
	85123	Brass Qtr Turn Valves Unassembled - 1/2" CPVC Conx.	W2250	10
	85125	Brass Qtr Turn Valves Unassembled - 1/2" PEX Conx.	W2122	10
	<b>Contractor Pack</b>			
	85122	Brass Qtr Turn Valves Unassembled - 1/2" Sweat/Cont. Pack	W2121 CP	20
	85124	Brass Qtr Turn Valves Unassembled - 1/2" CPVC/Cont. Pack	W2250 CP	20
	85126	Brass Qtr Turn Valves Unassembled - 1/2" PEX/Cont. Pack	W2122 CP	20
	85130	Brass Valves*/1/2" CPVC Arrester Only Installed/Cont. Pack	W2201 HACP	20
	<b>Display Pack</b>			
	82000	Washer Box Only - No Valves	R2012 B	6
	82013	Brass Qtr Turn Valves* Installed - 1/2" Sweat Conx.	R2512 B	6