

FIRE-RATED SINGLE-VALVE OUTLET PLATE

» 699R SERIES

ProPlate™

SPECIFICATION

Sioux Chief 699R Series ProPlate™ Fire-Rated Single-Valve Outlet Plate shall be used where necessary in plumbing systems for accessible mounting of water supply. Corrosion-proof plate can secure directly to vertical stud or between studs. Install bracketing through integral track or affix plate through flange holes. Supply line can be installed from above or below. Plate shall be supplied with plated, 1/4-turn supply valve, having 1/4" & 3/8" compression connection or 3/4" male hose connection. Valve shall be replaceable with any common 5/8" compression valve. Outlet connections should generally be provided with a test/tamper-resistant cap. Plate allows debris cover to thread in for protection during rough-in. Plate allows debris cover to thread in for protection during rough-in.

MATERIALS

- Valve:** No-lead brass¹
- Valve Shank:** No-lead brass¹/CPVC, 304SS grip ring
- Plate:** FR-ABS
- Escutcheon:** FR-ABS²
- Debris cover:** Polyethylene

VALVE SAFE WORKING LIMITS

- Max working temp:** 200 °F
- Max air/water testing & working pressure:** 150 PSIG

DIMENSIONS

- A:** Plate width/height 4-1/2"
- B:** Plate to valve outlet
 - Standard valve 1-7/8"
 - Extended valve 2-3/4"
- C:** Plate to valve supply 1-1/2"
- D:** Frame* ID 2-1/2"
- E:** Frame* OD 4"

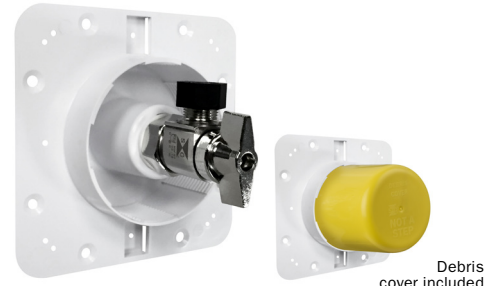
CERTIFICATIONS/APPROVALS

- NSF-372 compliant, IAPMO listed
- Valves meet ASME A112.18.1
- Arresters* ASSE 1010 certified
- Listed by Intertek to meet:
 - ASTM E-814 | UL1479 | CAN/ULC S115:
 - 1hr (F), 56min (T) for 1-hour design
 - Design No: SCMC/PF 60-01
 - 2hrs (F), 2hrs (T) for 2-hour design
 - Design No: SCMC/PF-120-1

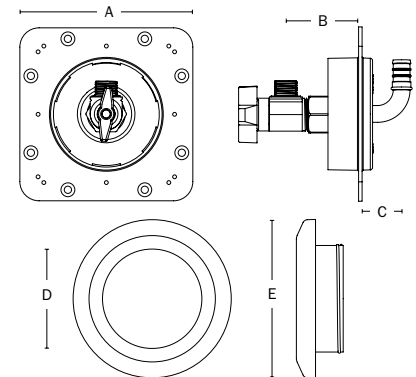
¹ C69300 material is DZR and SCC resistant, compliant with NSF-61 & 372, and compliant with California No Lead Plumbing Law

² Escutcheons available separately

ITEM # SUBMITTED	_____
JOB NAME	_____
LOCATION	_____
ENGINEER	_____
CONTRACTOR	_____
PO#	_____ TAG _____



699RA1-XR



Create Item Number

699RAB

e.g. **699RA1-XR** Access plate with 3/8" outlet valve, 1/2" F1807 PEX inlet connection, debris cover and color clips included

e.g. **699RA1EWR**: Access plate with extended 3/8" valve, F1960 PEX connection, debris cover and color clips included

VALVE OUTLET CONNECTION A

- A0-** = 1/4" Comp. thread - angle
- A1-** = 3/8" Comp. thread - angle
- A1E** = 3/8" Comp. thread - extended/angle
- A3-** = 3/4" Male hose thread - angle

SUPPLY INLET CONNECTION B

- CR** = 1/2" CPVC socket
- MR** = 1/2" MIP/FSWT
- PR** = 1/2" MSWT/Press/Push
- VR** = 1/2" F3347 PEX
- WR** = 1/2" F1960 PEX
- XR** = 1/2" F1807 PEX

Accessories - Available Separately:

- 699RF: Fire-rated white escutcheon
- 699-FC: Fire-rated chrome escutcheon

FIRE-RATED SINGLE-VALVE OUTLET PLATE

»» DESIGN SPECIFICATION

1. WALL CONSTRUCTION

- a. Wood or metal stud construction
- b. 16" on-center stud construction.
- c. Double-layer 5/8" gypsum construction with 2-hour fire rating.
Single-layer 5/8" gypsum construction with 1-hour fire rating.
- d. Plates cannot be installed back to back.

Fire-Rated escutcheon available separately (Item No. 699RF)

2. PIPE/PLATE SUPPORT

- a. Maximum 2 plates installed in a 16" O.C. stud cavity secured to brackets when centered or direct mounted to stud.
- b. ProPlate™ Fire-rated bracket (back side of plate)
- c. Common flat brackets.

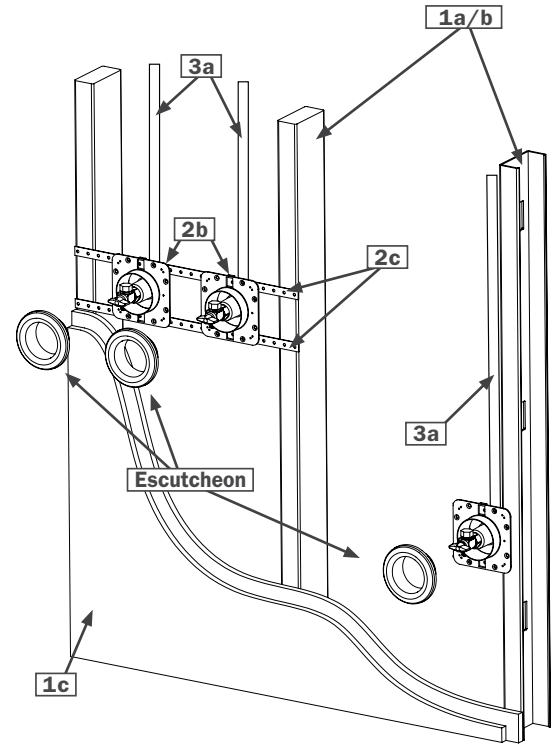
3. PIPE MATERIAL

- a. Metallic or plastic water supply pipe.
- b. Supply lines to be installed using ordinary methods.

4. FIRE-RATED RESINS

Sioux Chief fire-rated ProPlate uses fire-rated resin.
NOTE: Gaps up to 1/2" around plate can be sealed with drywall plaster.
Larger gaps require firestop sealant applied to opening spanning entire drywall depth

FIGURE 1
UL D. #U341



**THE FIRE-RATED PROPLATE IS CERTIFIED BY INTERTEK
TO THE FOLLOWING FIRE RATING STANDARDS:**



Intertek

Control No. 5006619
ASTM E814 - SC/PF 120
bpdirectory.intertek.com

**ASTM E-814 | UL1479
CAN/ULC S115**

1hr (F), 56min (T) for 1-hour design
Design No: SCMC/PF 60-01
2hrs (F), 2hrs (T) for 2-hour design
Design No: SCMC/PF-120-1

FINISH INSTALLATION

