

ELKAY® SPECIFICATIONS

Lustertone® Deep Double Bowl Sink Models DLR and DLRQ Series

GENERAL

Highest quality sink bowls seamlessly formed of #18 gauge, type 304 (18-8) nickel bearing stainless steel. Top Mount.

DESIGN FEATURES

Bowl Depths: 10" (254mm) [DLR291810]; 10-1/8" (257mm) [DLR(Q)332212 and DLR(Q)432212]. [all others]; 12-1/8" (308mm)
Coved Corners: 1-3/4" (44mm) vertical and horizontal radius.

Bowl and Faucet Deck Recess: 3/16" (4mm) below outside edge of sink.

Finish: Exposed surfaces are hand blended to a Lustrous Highlighted Satin finish.

Underside: Fully undercoated to dampen sound and prevent condensation.

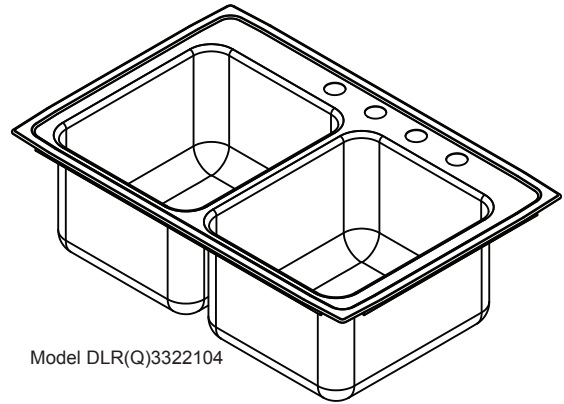
OTHER

Drain Opening: 3-1/2" (89mm).

Sink complies with ASME A112.19.3/ CSA B45.4



Sinks are listed by IAPMO® as meeting the applicable requirements of the Uniform Plumbing Code®, International Plumbing Code®, and National Plumbing Code of Canada.



Model DLR(Q)3322104

SINK DIMENSIONS (INCHES)*

U-Channel Model Number	Quick-Clip Model Number	Overall		Inside Bowl			Cutout in Countertop (1-1/2" (38mm) Radius Corners)		No. of 1-1/4" (32mm) or 1-1/2" (38mm) Dia. Faucet Holes 4" (102 mm) centers	Minimum Cabinet Size
		L	W	L	W	D	L	W		
DLR251910	-	25 (635mm)	19½ (495mm)	10 (254mm)	14 (356mm)	10½ (257mm)	24¾ (257mm)	18¾ (479mm)	1, 2, MR2, 3, 4 or 5	30
DLR291810	-	29 (737mm)	18 (457mm)	12 (305mm)	12 (305mm)	10 (254mm)	28¾ (721mm)	17¾ (441mm)	1, 2, MR2, 3, 4 or 5	33
DLR331910	DLRQ331910	33 (838mm)	19½ (495mm)	14 (356mm)	14 (356mm)	10½ (257mm)	32¾ (822mm)	18¾ (479mm)	1, 2, MR2, 3, 4 or 5	36
DLR332210	DLRQ332210	33 (838mm)	22 (559mm)	13½ (343mm)	16 (406mm)	10½ (257mm)	32¾ (822mm)	21¾ (543mm)	1, 2, MR2, 3, 4 or 5	36
DLR332212	DLRQ332212	33 (838mm)	22 (559mm)	13½ (343mm)	16 (406mm)	12½ (308mm)	32¾ (822mm)	21¾ (543mm)	1, 2, MR2, 3, 4 or 5	36
DLR372210	-	37 (940mm)	22 (559mm)	16 (406mm)	16 (406mm)	10½ (257mm)	36¾ (924mm)	21¾ (543mm)	1, 2, MR2, 3, 4 or 5	42
DLR432210	-	43 (1092mm)	22 (559mm)	19 (483mm)	16 (406mm)	10½ (257mm)	42¾ (1076mm)	21¾ (543mm)	1, 2, MR2, 3, 4 or 5	48
DLR432212	-	43 (1092mm)	22 (559mm)	19 (483mm)	16 (406mm)	12½ (308mm)	42¾ (1076mm)	21¾ (543mm)	1, 2, MR2, 3, 4 or 5	48

*Length is left to right. Width is front to back

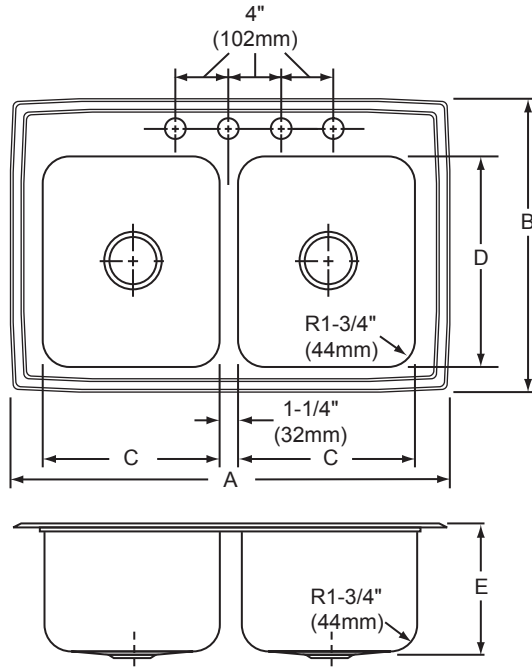


In keeping with our policy of continuing product improvement, Elkay reserves the right to change product specifications without notice. Please visit elkay.com for the most current version of Elkay product specification sheets.

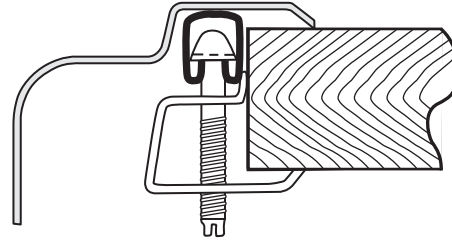
This specification describes an Elkay product with design, quality, and functional benefits to the user. When making a comparison of other producers' offerings, be certain these features are not overlooked.

**Lustertone® Deep Double Bowl Sink
Models DLR and DLRQ Series**

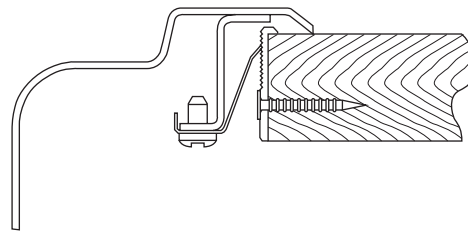
**ELKAY®
SPECIFICATIONS**



U-Channel Type Mounting System

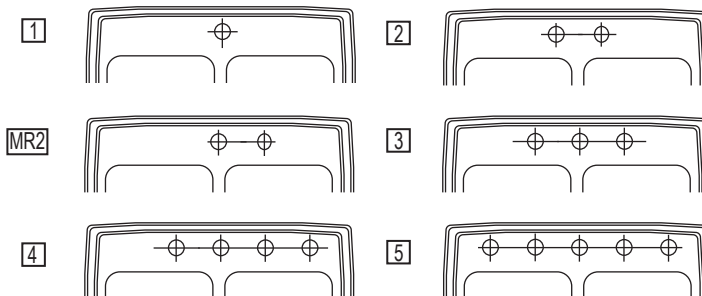


Quick-Clip® Mounting System



Hole Drilling Configurations

1-1/2" (38mm) Diameter Faucet Holes on 4" (102mm) Centers



In keeping with our policy of continuing product improvement, Elkay reserves the right to change product specifications without notice. Please visit elkay.com for the most current version of Elkay product specification sheets.

This specification describes an Elkay product with design, quality, and functional benefits to the user. When making a comparison of other producers' offerings, be certain these features are not overlooked.