

Features

- For use with the K-18829 2" x 4" in-wall tank and carrier system.
- Large flush actuator plate is easily removed, allowing access to inner tank and flush valve for service.
- Fingerprint-resistant finish stays clean longer.

Material

- Premium material construction for durability and reliability.
- KOHLER finishes resist corrosion and tarnishing.

Installation

- Requires K-8108 Pneumatic Conversion In-Wall Kit (sold separately).

Required Products/Accessories

K-18829 2x4 In-Wall Tank & Carrier System
K-8108 Pneumatic conversion kit for in-wall tank

Recommended Products/Accessories

K-23723 Faucet cleaner



ADA CSA B651 OBC

Codes/Standards



ADA
ICC/ANSI A117.1
CSA B651
OBC

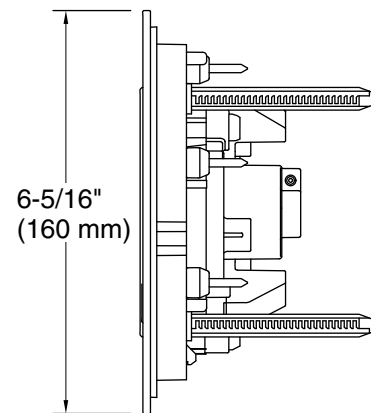
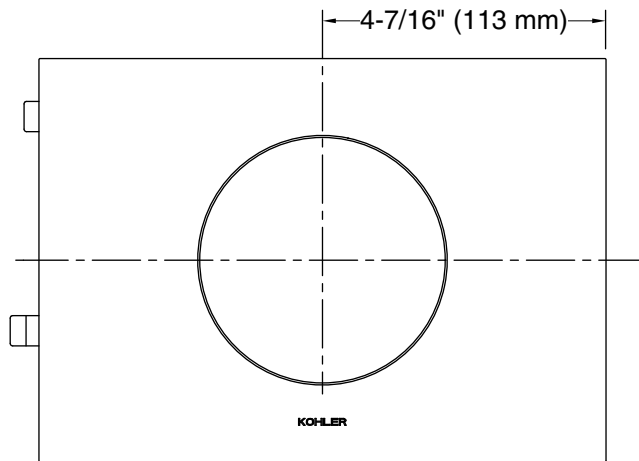
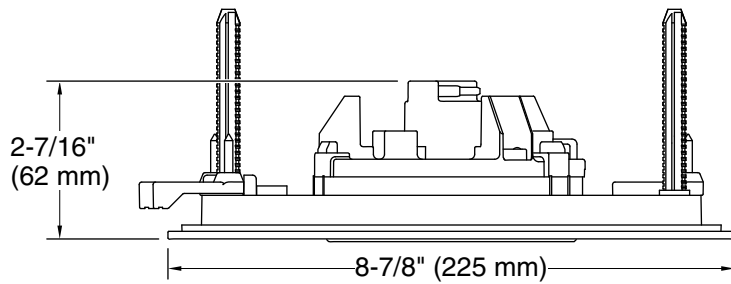
KOHLER® Toilets and Seats Limited Warranty

See website for detailed warranty information.

Available Colors/Finishes

Color tiles intended for reference only.

Color	Code	Description
	0	White
	7	Black Black™



Technical Information

All product dimensions are nominal.

Material: Plastic

Notes

ADA, OBC, CSA B651 compliant when installed to the specific requirements of these regulations.