



**Memoirs® Stately**  
Drop-in Bathroom Sink  
**K-2337-1**

**Features**

- Single faucet hole.
- Elegant rectangular basin.
- Overflow drain.
- Coordinates with other products in the Memoirs collection.

**Material**

- Vitreous china.

**Installation**

- Drop-in

**Recommended Products/Accessories**

K-8998 P-Trap



ADA

**Codes/Standards**

ASME A112.19.2/CSA B45.1  
ADA  
ICC/ANSI A117.1

**KOHLER® One-Year Limited Warranty**

See website for detailed warranty information.

**Available Colors/Finishes**

*Color tiles intended for reference only.*

Color	Code	Description
	0	White
	96	Biscuit
	47	Almond
	NY	Dune
	95	Ice™ Grey
	G9	Sandbar
	K4	Cashmere
	58	Thunder™ Grey
	7	Black Black™
	89	Desert Bloom
	S3	Stoneware
	S4	White Cliffs
	V2	Cream City

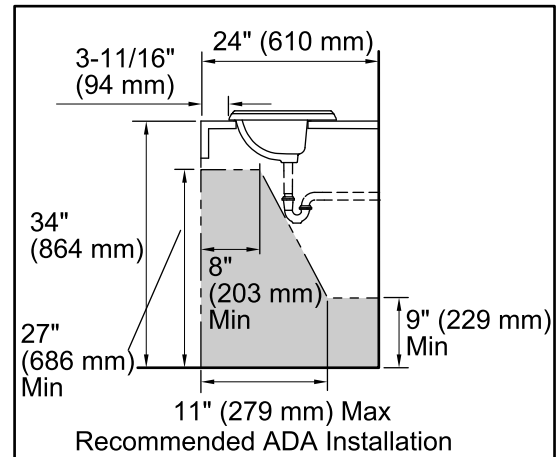
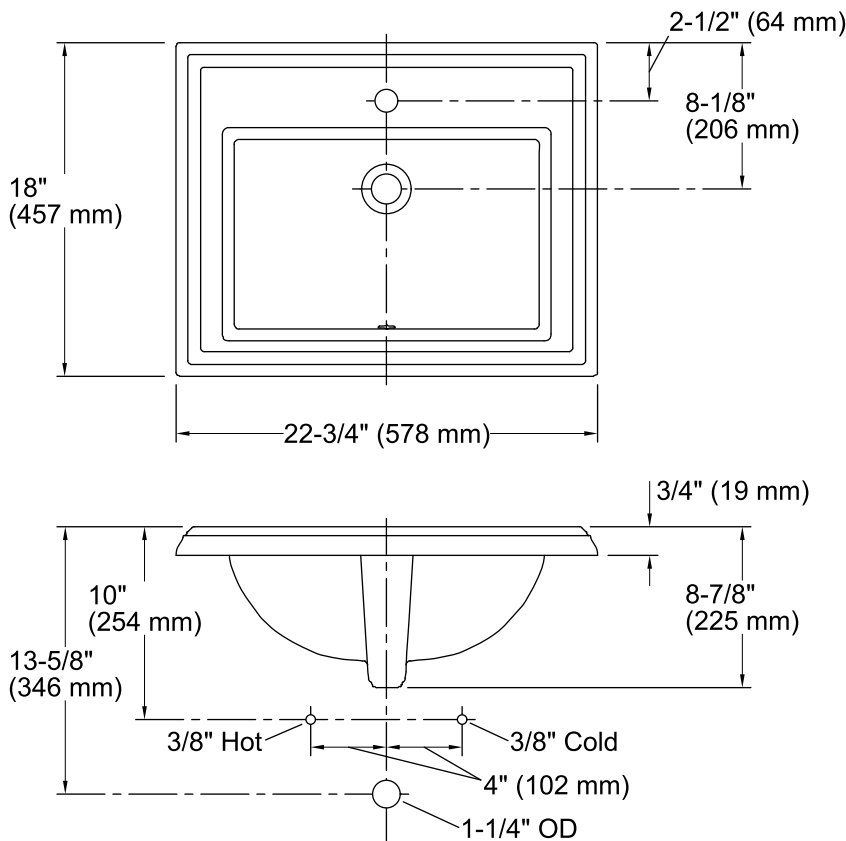
1-800-4KOHLER (1-800-456-4537)

Kohler Co. reserves the right to make revisions without notice to product specifications.

For the most current Specification Sheet, go to [www.kohler.com](http://www.kohler.com).

1-31-2019 12:28 - US/CA





### Technical Information

All product dimensions are nominal.

Bowl configuration:	Single
Installation:	Drop-in
Bowl area (Only):	Length: 17" (432 mm) Width: 10" (254 mm) Water depth: 5" (127 mm)
Number of deck holes:	1
Faucet hole(s):	1-3/8" (35 mm)
Drain hole:	1-3/4" (44 mm)
Template:	1003676, required, included

### Notes

Install this product according to the installation instructions.

**NOTICE:** Countertop manufacturer or cutter must use the cut-out template provided with the product, or a current one provided by Kohler Co. (call 1-800-4KOHLER). Kohler Co. is not responsible for cut-out errors when incorrect cut-out template is used.

ADA compliant when installed to the specific requirements of these regulations.