

Location:



Toilet Paper Holder 353TPC

Specification Submittal



Model Numbers

- 353TPC Toilet Paper Holder

Finish Options

Append appropriate -suffix to model number.

- STN Satin nickel finish

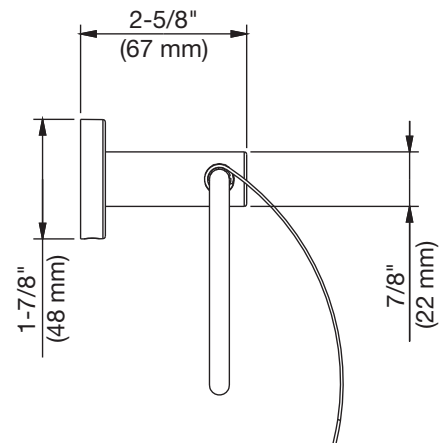
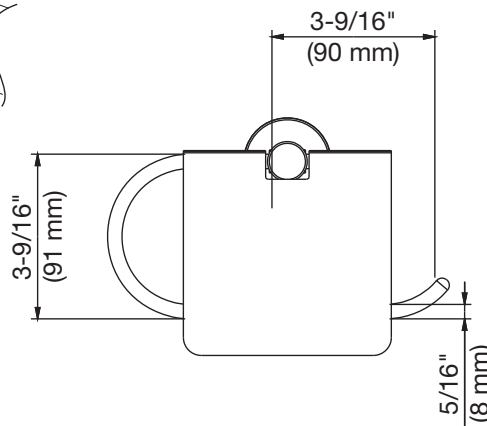
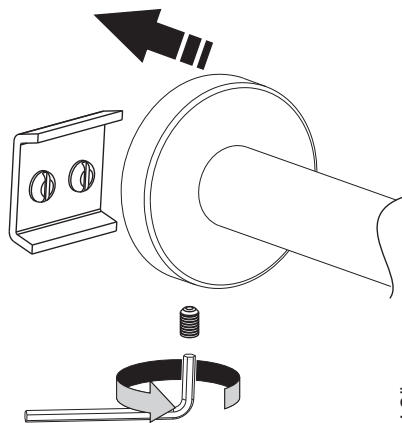
Feature Highlights

- Metal construction
- Mounting hardware included
- Standard finish is polished chrome

Warranty

- Limited Lifetime - to the original end purchaser in residential/consumer installations.
- 5 years - for commercial installations

Dimensions *Dia Toilet Paper Holder, 353TPC*



Note: Dimensions subject to change without notice

Location:



Toilet Paper Holder 353TPC

Specification Submittal



Model Numbers

- 353TPC Toilet Paper Holder

Finish Options

Append appropriate -suffix to model number.

- STN Satin nickel finish

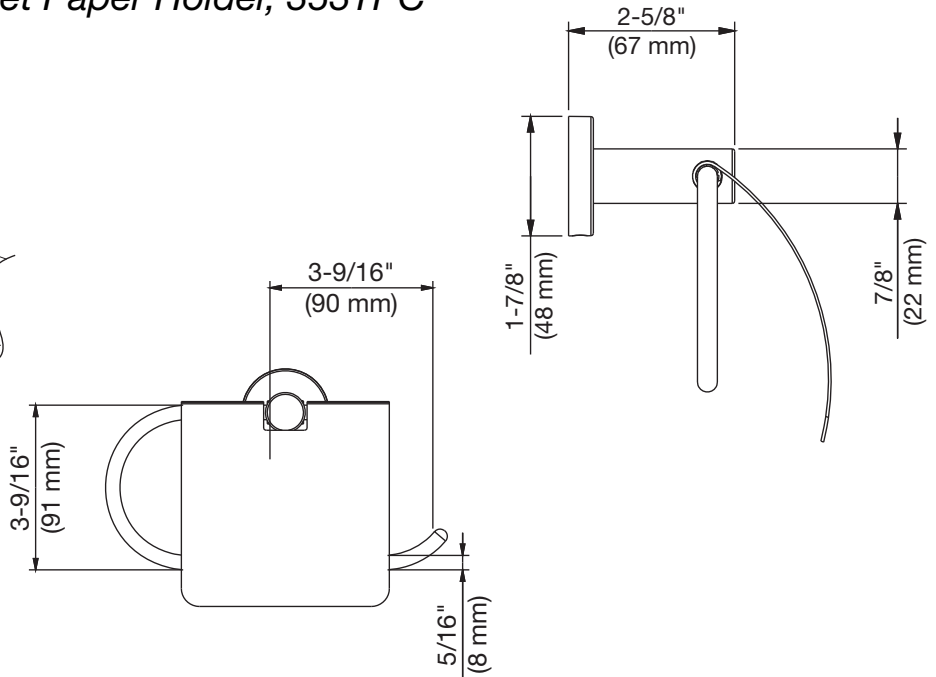
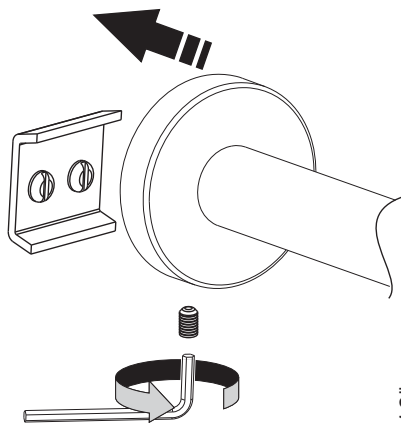
Feature Highlights

- Metal construction
- Mounting hardware included
- Standard finish is polished chrome

Warranty

- Limited Lifetime - to the original end purchaser in residential/consumer installations.
- 5 years - for commercial installations

Dimensions *Dia Toilet Paper Holder, 353TPC*



Note: Dimensions subject to change without notice