

Features

- Plain-end swing spout with 7" (178 mm) reach.
- Two lever handles offer separate control of hot and cold water.
- Aerated flow delivers a smooth, steady stream of water.
- 4.0 gpm (15.1 lpm) minimum flow rate at 20 psi (1.3 bar).
- Quarter-turn washerless ceramic disc valves.
- Less drain.

Material

- Premium metal construction for durability and reliability.
- KOHLER finishes resist corrosion and tarnishing.

Installation

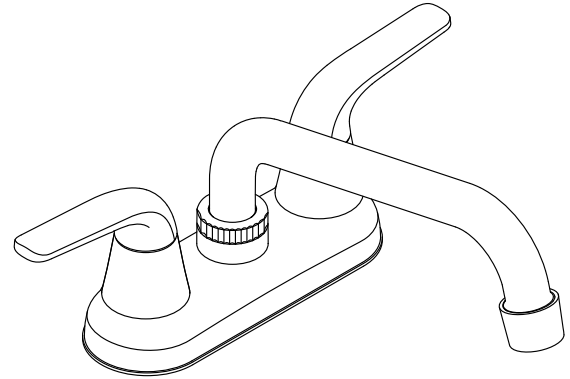
- For 4" (102 mm) centers.
- Three-hole installation.

Recommended Products/Accessories

K-23723 Faucet cleaner

Optional Products/Accessories

1012715



Codes/Standards

ASME A112.18.1/CSA B125.1

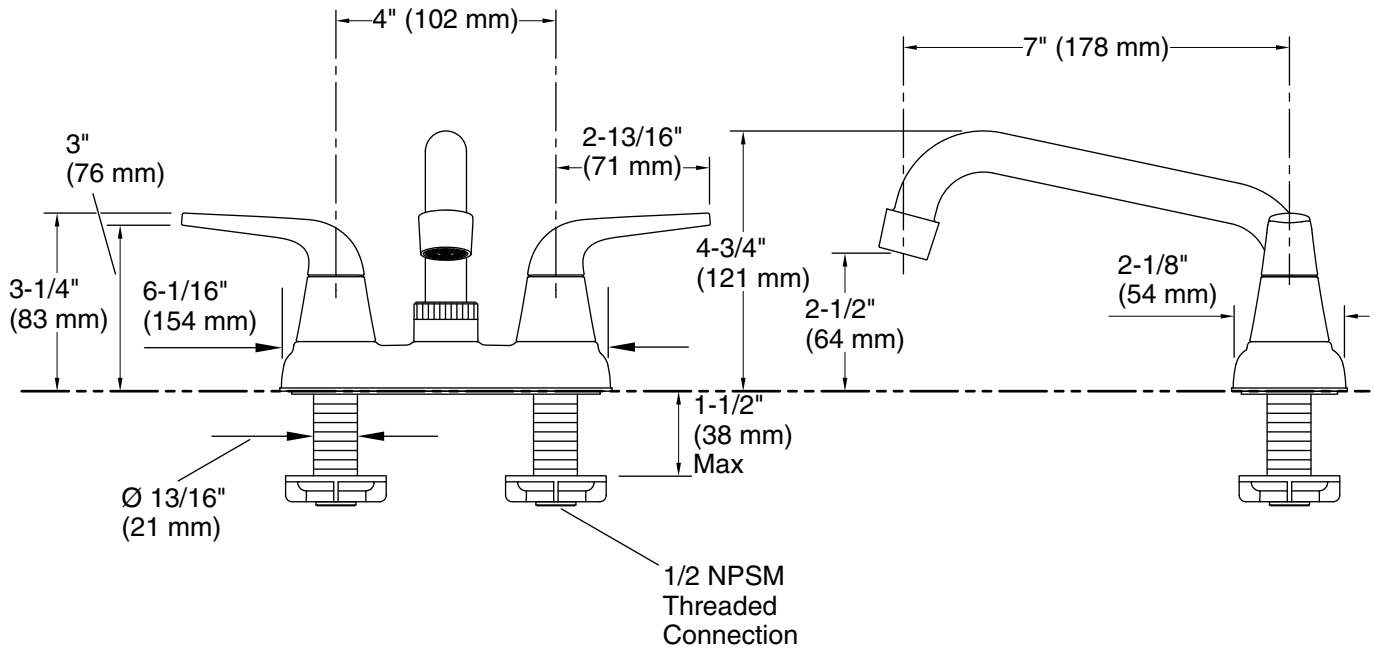
NSF/ANSI 61

NSF/ANSI 372

All applicable US Federal and State material regulations

KOHLER® Faucet Lifetime Limited Warranty

See website for detailed warranty information.



Technical Information

All product dimensions are nominal.

Drain included: No

Spout:

Spout reach: 7" (178 mm)

Notes

Install this product according to the installation instructions.