



# Z1321

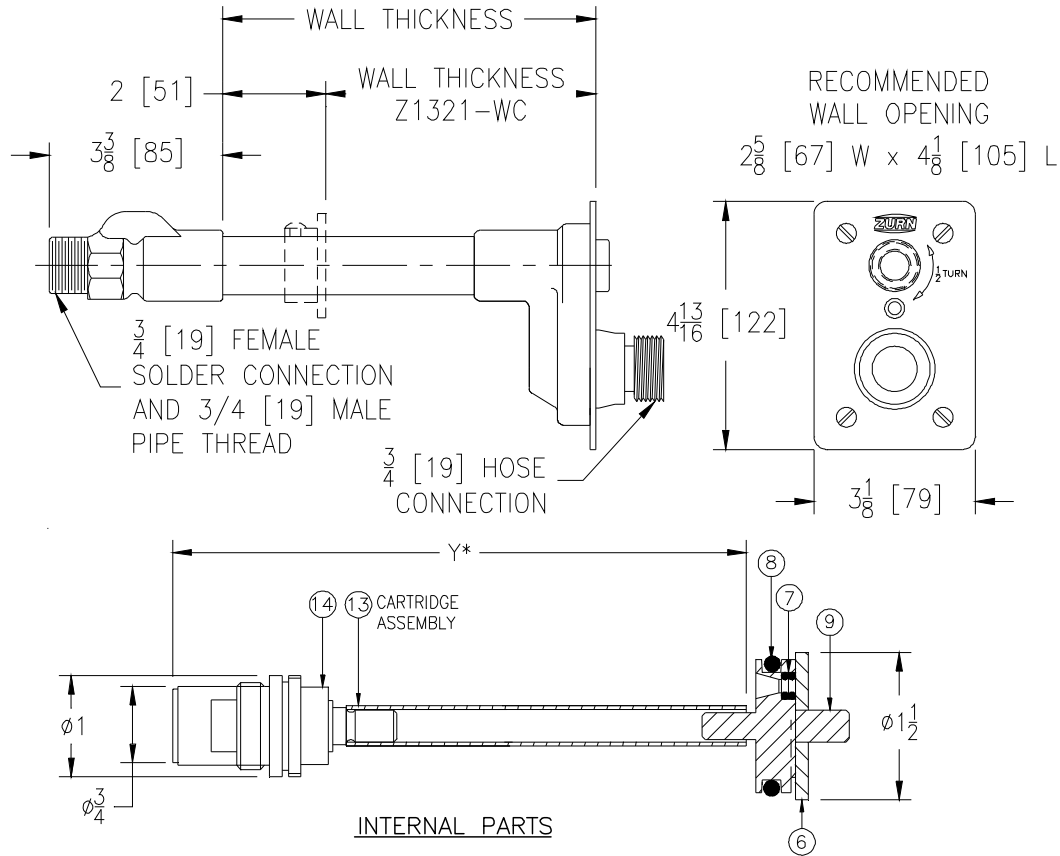
## ECOLOTROL CERAMIC DISC WALL HYDRANT

### Exposed, Non-Freeze, Anti-Siphon, Automatic Draining

SPECIFICATION SHEET

TAG \_\_\_\_\_

Dimensional Data (inches and [ mm ]) are Subject to Manufacturing Tolerances and Change Without Notice



Wall Thickness Inches	Approx. Wt. Lbs. [kg]
6-8 [152-203]	3 [1]
10-12-14 [254-305-356]	6 [3]
16-18 [406-457]	5 [2]
20-22-24 [508-559-610]	6 [3]
26-30 [660-762]	8 [7]

**ENGINEERING SPECIFICATION:** ZURN Z1321 Exposed Ecolotrol "anti-siphon" automatic draining wall hydrant. Complete with integral backflow preventer, copper casing, all bronze interior parts with 1/2 turn ceramic disc cartridge and combination 3/4 [19] female solder and 3/4 [19] male pipe thread inlet. Stainless steel face with operating key lock. (All solder connections are lead free.)

Note: During normal operation, the hydrant may take as long as one minute to complete the self-draining process. This drainage feature should not be mistaken for an unsealed shut-off of the hydrant, and over-tightening of the operating coupling is not necessary.

**OPTIONS** (Check/specify appropriate options)

**SUFFIXES**

- \_\_\_-PB Polished Bronze Face
- \_\_\_-RK Hydrant Parts Repair Kit
- \_\_\_-RT12 Ceramic Cartridge Removal Tool (Up to 12 [305] Wall)
- \_\_\_-RT24 Ceramic Cartridge Removal Tool (Up to 24 [610] Wall)
- \_\_\_-RT36 Ceramic Cartridge Removal Tool (Up to 36 [915] Wall)
- \_\_\_-WC Wall Clamp
- \_\_\_-34EL 3/4 [19] 90° Solder Inlet Elbow
- \_\_\_-34FIP 3/4 [19] IP Straight Female Inlet Adapter

**PARTS LIST**

Item	Name	Quan.
14	Cartridge	1
13	Operating Tube	1
9	Operating Coupling	1
8	'O' Ring	1
7	'O' Ring	2
6	Retaining Washer	1

**REV. G    DATE: 10/22/10    C.N. NO. 111936**

**DWG. NO. 58872    PRODUCT NO. Z1321**

\*WHEN ORDERING REPLACEMENT CARTRIDGE ASSEMBLY SPECIFY Y DIM.