

DWV P Trap • Spec Sheet



FEATURES & BENEFITS

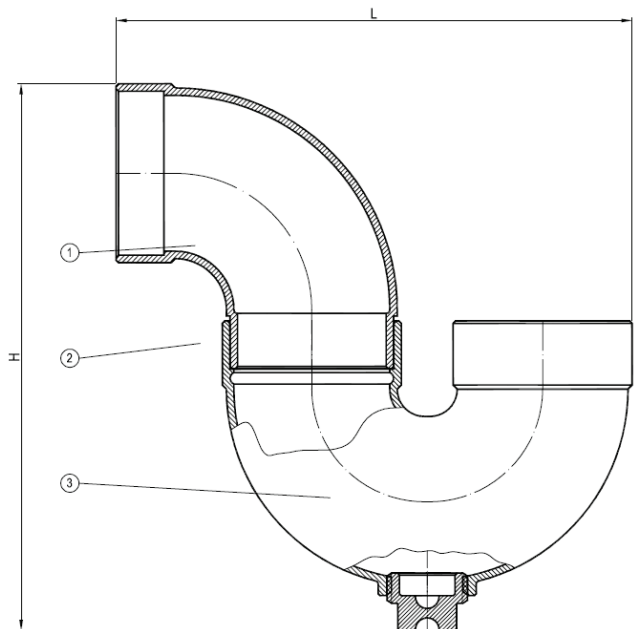
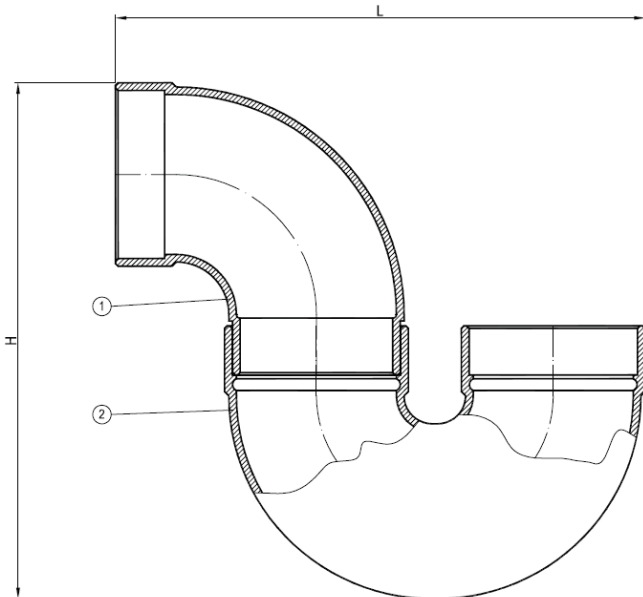
- DWV P Trap
- C x C
- Brass

MATERIAL SPECIFICATIONS

No.	Part	Material
1	Body 2	Brass B584 C85710
2	Body 1	Brass B584 C85710
3	Nipple	Brass B584 C85710

DIMENSIONS

Part #	Size	H	L
PTRAP07L	1-1/2" Less Cleanout	5.12	5.12
PTRAP07W	1-1/2" With Cleanout & 3/4" Plug	5.65	5.12
PTRAP08L	2" Less Cleanout	6.54	6.71
PTRAP08W	2" With Cleanout & 3/4" Plug	7.10	6.71



MATCO-NORCA
Global sourcing. National compliance. Local service.

CALIFORNIA 5593 Fresca Dr., La Palma CA 90623 • Toll Free: 866-532-8306 • Fax: 866-532-8307
TEXAS 1150 Silber Rd., Houston TX 77055 • Toll Free: 800-935-5456 • Fax: 713-680-2999
NEW YORK PO Box 27, Rt. 22, Brewster NY 10509 • Toll Free: 800-431-2082 • Fax: 845-278-9056
 WEB: www.matco-norca.com EMAIL: mail@matco-norca.com