



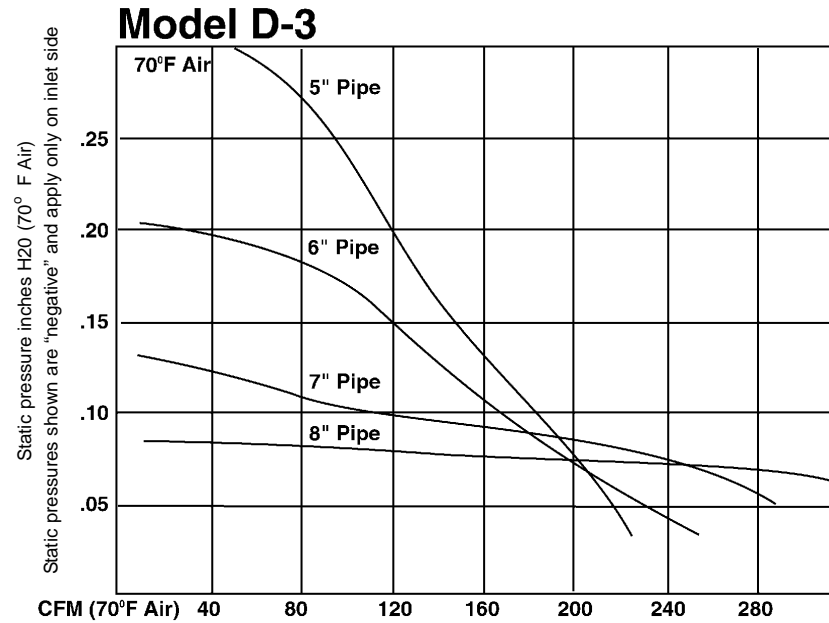
# TJERNLUND PRODUCTS, INC.

1601 Ninth Street • White Bear Lake, MN 55110-6794  
 PHONE (800) 255-4208 • (651) 426-2993 • FAX (651) 426-9547  
 Visit our web site • www.tjernlund.com

## MODEL D-3 DRAFT INDUCER SPECIFICATIONS

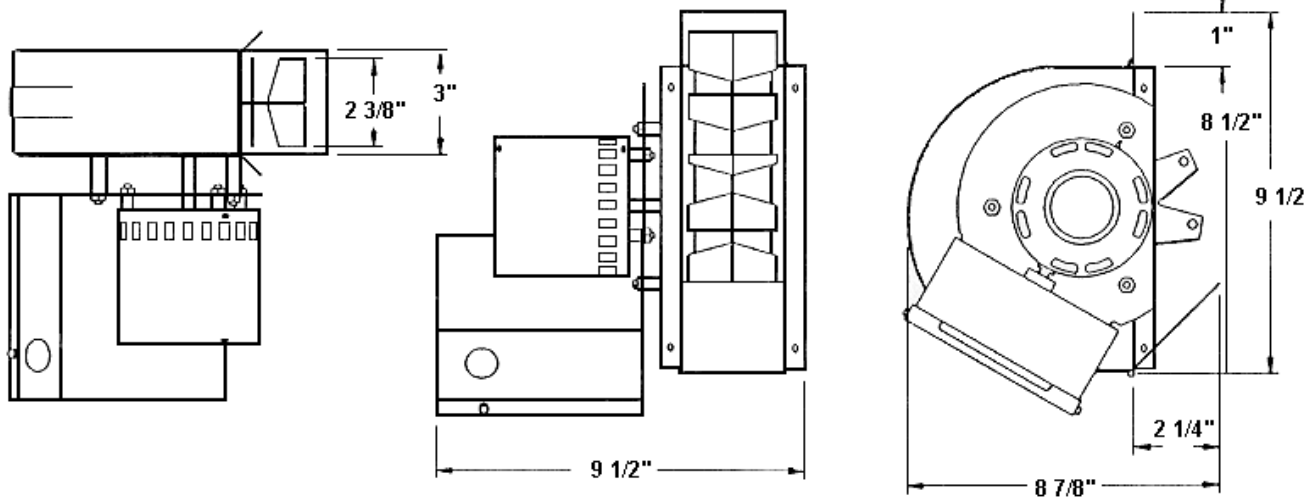
### Performance curves

MODEL NO.	PIPE SIZE IN.	GAS FIRING WITH DRAFT HOOD				GAS FIRING WITH BAR. DRAFT CONTROL				OIL FIRING WITH BAR. DRAFT CONTROL			
		HEATER BTU INPUT		270°F FLUE GAS		HEATER BTU INPUT		390°F FLUE GAS		HEATER BTU INPUT		530°F FLUE GAS	
		S.P.	CFM	S.P.	CFM	S.P.	CFM	S.P.	CFM	S.P.	CFM		
D-3	5	270,000	.063	190	330,000	.085	166	295,000	.092	163			
	6	356,000	.073	246	377,000	.090	190	300,000	.093	169			
	7	360,000	.075	259	330,000	.085	166	230,000	.080	118			
	8	320,000	.068	217	222,000	.075	110	123,000	.065	65			



- Inputs shown are believed to be maximum capacities for inducers when mounted on pipe sizes shown for ordinary jobs where a moderate amount of mechanical induced draft is required.
- Consideration is given to typically higher static pressure requirements for larger installations, for the type of fuel burned and for the type of draft control installed.
- Where pressure requirements are unknown or believed to be unusually severe, ask for complete performance curves or consult factory.
- All ratings have been developed in our testing and research department and have been approved by a nationally known independent testing laboratory. Certification is available upon request.
- Heating capacities shown are for 1000 BTU per cubic foot natural gas and for 139,000 BTU per gallon No. 2 fuel oil. Consult factory for capacities with other fuels. Heating capacities are based on typical combustion efficiencies and allow for approximately 5 percent ambient air drawn into inducer to cool motor and drives.
- Draft Inducers should be installed in single wall vent pipe in order to insure proper performance.

**Note:** Tjernlund Products, Inc. reserves the right to make changes to specifications without notification.



### MOTOR SPECIFICATIONS

#### ELECTRICAL DATA

Volts	115
Hertz	60
RPM	1550
Watts	74
Amps	.96
Therm. Prot.	Yes