



McGuire Manufacturing Co., Inc.

60 Grandview Court
 Cheshire, Connecticut 06410
 (203) 699-1801 Fax (203) 699-1813
 customerservice@mcguiremfg.com mcguiremfg.com

Part No.

LFST182

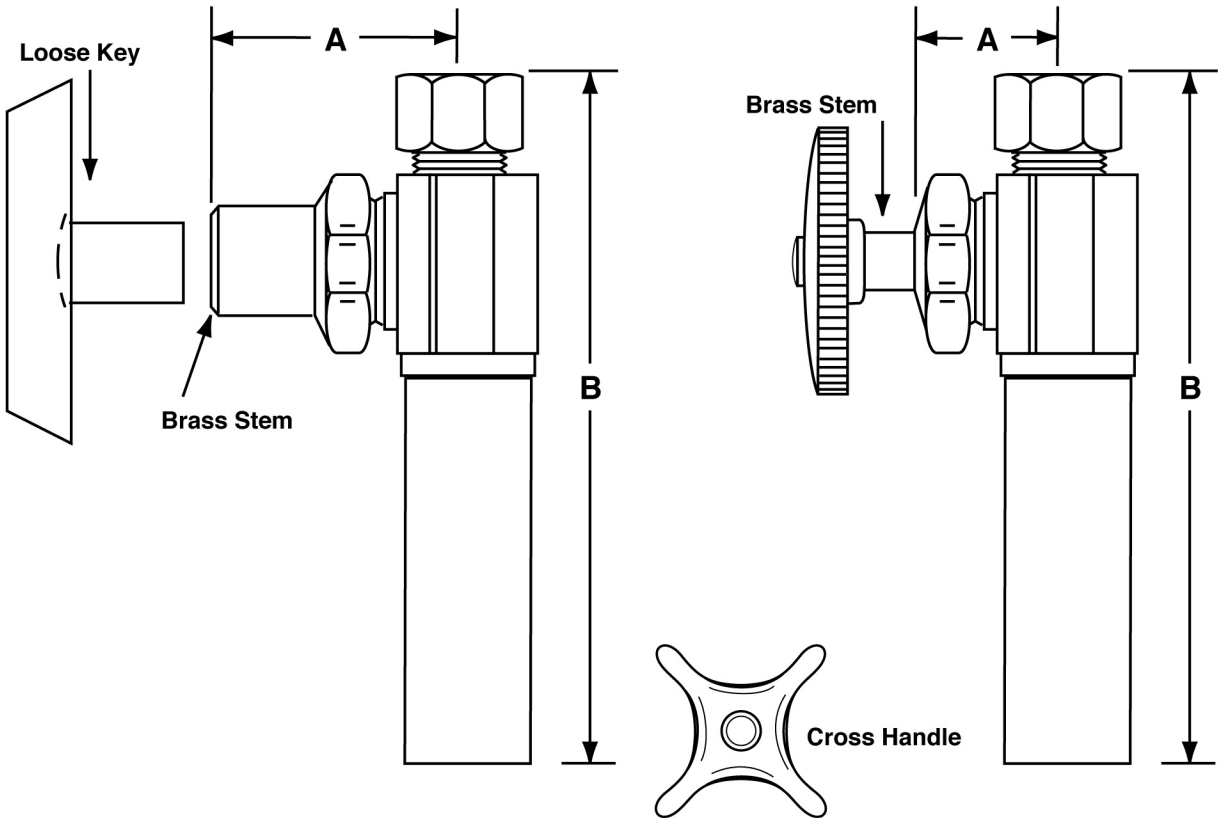
**Straight Supply Stop
 Copper Sweat x O.D.**

PRODUCT SPECIFICATION

Job Name:

Submittal Number:

Sweat with 5" Extension to Compression



NO.	DESCRIPTION	ROUGHING MEASUREMENTS	
		A	B
LFST182	1/2" Copper Sweat x 3/8" O.D.	7/8"	6-5/8"

- Rated Operating Pressure: 20-125 PSI
- Rated Operating Temperature: 40-140°F
- Note: 180°F max. during temporary high-temperature system flush

LK designates *Loose Key*

X designates *Heavy Brass Cross Handle*

See options and accessories section for details on product variations.



Specifications:

Chrome plated brass, supply stop valve with full turn brass stem. Inlet shall be (3/8, 1/2) inch (IPS, sweat, compression). Outlet shall be (3/8, 1/2) inch (IPS, compression). Supply stop valve shall be McGuire _____. Supply stop valve shall be certified by recognized testing authority and bear manufacturer and testing mark.



WARNING:

This product can expose you to chemicals including lead, which is known to the State of California to cause cancer, and birth defects or other reproductive harm. For more information go to www.P65Warnings.ca.gov.