

# Heavy-Duty Cylinder Valves for Vapor Withdrawal 9103 Series

## Application

This heavy duty cylinder valve is designed for vapor withdrawal of DOT cylinders up to 100 lbs. propane capacity. It is used in domestic hookups and industrial commercial installations.

## Features

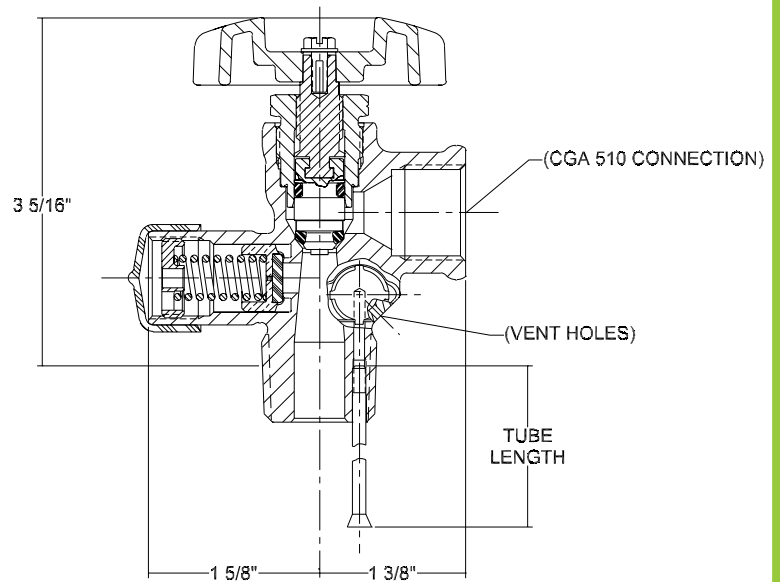
- Equipped with a fast filling throat and high lift, o-ring stem seal design.
- Utilizes a nylon tapered seat design for positive closing.
- Available with a fixed liquid level gauge.
- Self-tapping screw secures handwheel to stem and reduces possibility of handwheel vibrating loose while in transit.

## Materials

Body ..... Forged Brass  
 Handwheel..... Aluminum  
 Stem ..... Brass  
 O-Rings ..... Resilient Rubber  
 Seat Disc ..... Nylon  
 Relief Spring ..... Stainless Steel



**9103D**



## Ordering Information

Part Number	Container Connection	Service Connection	Fixed Liquid Level Vent Valve	Dip Tube Length w/ Deflector	Pressure Relief Valve Setting	For Use in Cylinders w/Propane Capacity Up To:	Approximate Filling Rate Liquid Flow, GPM				Accessories
							Pressure Drop Across Valves				
							10 PSIG	25 PSIG	50 PSIG	100 PSIG	POL Plug
*9103D10.6	¾" M NGT	F. POL (CGA 510)	Yes	10.6"	375 PSIG	100 lbs.	12.7	20.3	29.0	41.3	N970P
*9103D11.6				11.6"							

\* 72 Orifice low emission version is also available.