



McAllister®

Under-mount Kitchen Sink

T11447

Features

- Rectangular bowl.
- No faucet holes; requires wall- or counter-mount faucet.
- Luster bowl finish.
- Includes reveal and no-reveal option.
- SilentShield® sound-absorption technology offers quieter performance.
- 11447 = single pack.
- J11447 = 3 per pack.
- T11447 = 20 per pack.
- 23-3/8" (594 mm) x 17-11/16" (449 mm) x 8" (203 mm)

Material

- 20-gauge stainless steel.

Installation

- Under-mount.

Recommended Accessories

7400 Duostrainer™ Sink Strainer

Components

Product includes:

91915 Hardware Kit

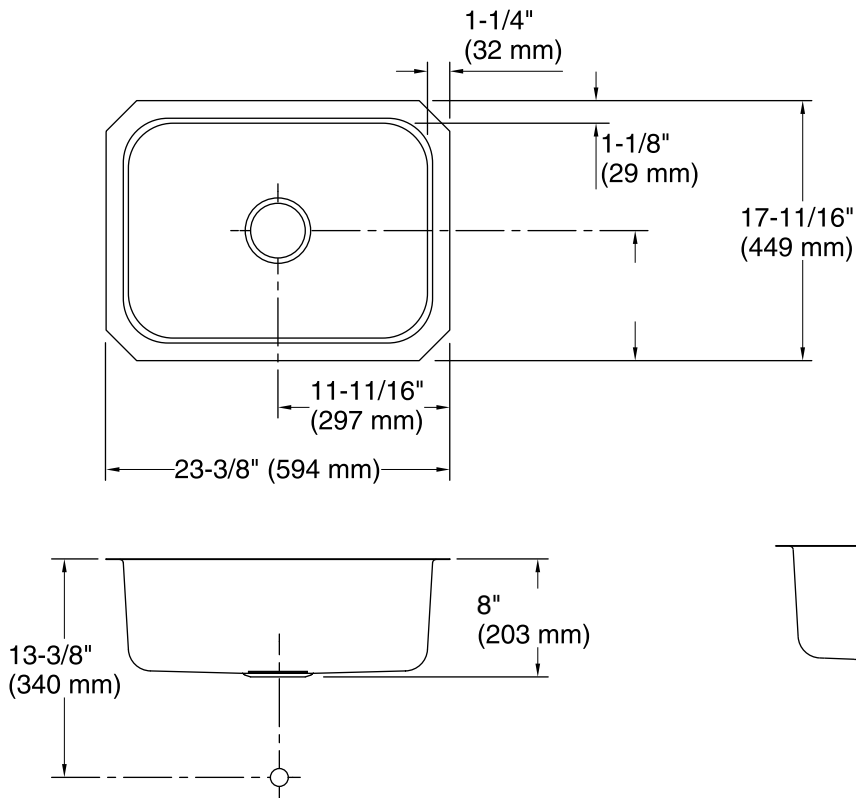


Codes/Standards

ASME A112.19.3/CSA B45.4

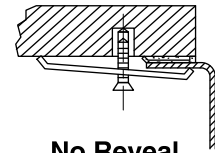
STERLING® Warranty - Stainless Steel Sinks

See website for detailed warranty information.

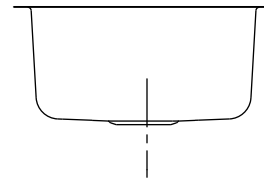
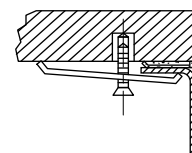


Mounting bracket assembly provides a secure installation.

Reveal



No Reveal



Technical Information

All product dimensions are nominal.

Bowl configuration:	Single
Installation:	Under-mount
Min. base cabinet width:	27" (686 mm)
Bowl area (Only)	Length: 23-3/8" (594 mm) Width: 17-11/16" (449 mm) Bowl depth: 8" (203 mm) Water depth: 8" (203 mm)
Drain hole:	3-3/4" (95 mm)
Template:	1064257-7, required, included

Notes

Install this product according to the installation instructions.

Measure your actual product for roughing-in details.