

For Residential and Commercial Applications

Job Name		Engineer / Architect	
Job Location		Wholesaler	
Submittal Date		Contractor	

129 Series Hose Barb to Male Iron Pipe 90 Degree Elbow

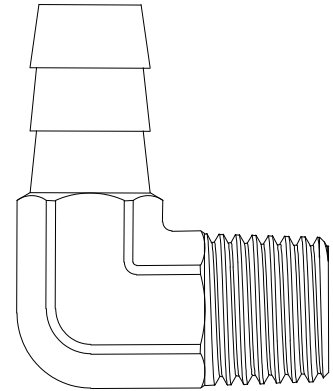
Use: For use with plastic or rubber tubing. Installation requires a hose clamp

Design Features:

- Forged brass body
- Manufactured with dryseal pipe threads
- Available in a broad range of sizes

Operating Specifications:

Temperature: -40° to 160°F
Working Pressure: 150 PSI maximum



MATERIAL SPECIFICATIONS	
Fitting Body	C37700 brass

Part Listing:

- 129-4-2 1/4" Hose Barb x 1/8" M.I.P.
- 129-4-2 B 1/4" Hose Barb x 1/8" M.I.P., bulk
- 129-4-4 1/4" Hose Barb x 1/4" M.I.P.
- 129-4-4 B 1/4" Hose Barb x 1/4" M.I.P., bulk
- 129-5-2 5/16" Hose Barb x 1/8" M.I.P.
- 129-5-2 B 5/16" Hose Barb x 1/8" M.I.P., bulk
- 129-5-4 5/16" Hose Barb x 1/4" M.I.P.
- 129-5-4 B 5/16" Hose Barb x 1/4" M.I.P., bulk
- 129-5-6 5/16" Hose Barb x 3/8" M.I.P.
- 129-6-2 3/8" Hose Barb x 1/8" M.I.P.
- 129-6-2 B 3/8" Hose Barb x 1/8" M.I.P., bulk
- 129-6-4 3/8" Hose Barb x 1/4" M.I.P.
- 129-6-4 B 3/8" Hose Barb x 1/4" M.I.P., bulk
- 129-6-6 3/8" Hose Barb x 3/8" M.I.P.
- 129-6-6 B 3/8" Hose Barb x 3/8" M.I.P., bulk
- 129-6-8 B 3/8" Hose Barb x 1/2" M.I.P.
- 129-8-4 1/2" Hose Barb x 1/4" M.I.P.
- 129-8-4 B 1/2" Hose Barb x 1/4" M.I.P., bulk
- 129-8-6 1/2" Hose Barb x 3/8" M.I.P.
- 129-8-6 B 1/2" Hose Barb x 3/8" M.I.P., bulk
- 129-8-8 1/2" Hose Barb x 1/2" M.I.P.
- 129-8-8 B 1/2" Hose Barb x 1/2" M.I.P., bulk

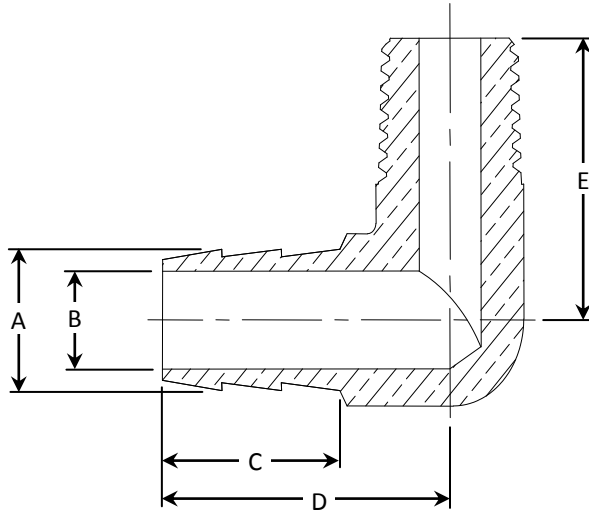
This specification and all information contained herein is the confidential and exclusive property of BrassCraft Manufacturing, and shall not be disclosed to others without the written consent of BrassCraft. This specification must be returned to BrassCraft if requested.



129 Series Hose Barb to Male Iron Pipe 90 Degree Elbow

Part Listing (continued):

- 129-10-6 5/8" Hose Barb x 3/8" M.I.P.
- 129-10-6 B 5/8" Hose Barb x 3/8" M.I.P., bulk
- 129-10-8 5/8" Hose Barb x 1/2" M.I.P.
- 129-10-8 B 5/8" Hose Barb x 1/2" M.I.P., bulk



PART DIMENSIONS (Inches)

Model	DIA. A	DIA. B	DIM. C	DIM. D	DIM. E
129-4-2	.281	.156	.63	1.02	.81
129-4-4	.281	.156	.63	1.03	.88
129-5-2	.344	.219	.63	1.02	.81
129-5-4	.344	.219	.63	1.02	.88
129-5-6	.344	.219	.63	1.09	.94
129-6-2	.344	.281	.63	1.02	.81
129-6-4	.422	.281	.63	1.02	.88
129-6-8	.422	.281	.68	1.09	.94
129-8-4	.531	.375	.68	1.06	1.00
129-8-6	.531	.375	.69	1.06	1.09
129-8-8	.531	.375	.69	1.15	1.12
129-10-6	.625	.406	.63	.97	.88
129-10-8	.672	.531	.72	1.13	1.16

This specification and all information contained herein is the confidential and exclusive property of BrassCraft Manufacturing, and shall not be disclosed to others without the written consent of BrassCraft. This specification must be returned to BrassCraft if requested.

