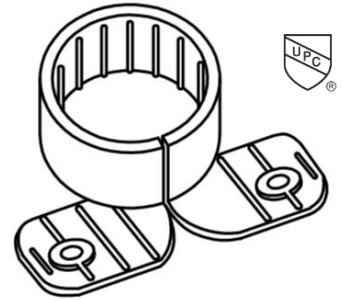
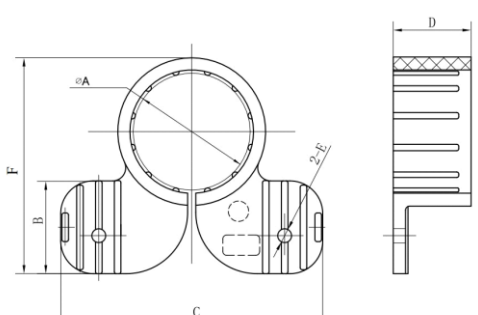


Features:

- Material: Gray Polypropylene.
- Provides fast and easy installation and support for all types of copper tube size piping.
- Can be used as an insulator when running water distribution lines through wooden framing.
- Can be used with hydronic heating systems
- Directions For Use: Open clamp and snap over pipe or tube. Slide into position and secure with barbed nail or screw. Check with local codes to ensure proper spacing requirements for piping support. NOTE: KEEP OUT OF REACH OF CHILDREN.



All dimensions in inches

Part#	Description	Drawing	Dimensions					
			A	B	C	D	E	F
4PRO12ISC	1/2" Suspension Clamp		0.626	0.638	1.972	0.732	0.138	1.496
4PRO34ISC	3/4" Suspension Clamp		0.874	0.638	2.047	0.732	0.138	1.693
4PRO1ISC	1" Suspension Clamp		1.126	0.894	2.520	0.748	0.134	2.087
4PRO114ISC	1-1/4" Suspension Clamp		1.374	0.886	2.992	0.858	0.142	2.362
4PRO112ISC	1-1/2" Suspension Clamp		1.626	0.886	2.992	0.866	0.177	2.717
4PRO2ISC	2" Suspension Clamp		2.126	0.886	3.583	0.992	0.177	3.228