

SINGLE-VALVE SUPPLY ACCESS PLATE

» 699 SERIES

ProPlate™

SPECIFICATION

Sioux Chief 699 Series ProPlate™ access product shall be used where necessary in plumbing systems for accessible mounting of water supply. Plate can secure directly to vertical stud or between studs. Install bracketing through integral track or affix box through flange holes. Supply line can be installed from above or below. Plate shall be supplied with plated, 1/4-turn supply valve, having 1/4" & 3/8" compression connection or 3/4" male hose connection. Valve shall be plated and replaceable with any common 5/8" compression valve. Outlet connections should generally be provided with a test/tamper-resistant cap. Plate allows debris cover to thread in for protection during rough-in.

MATERIALS

Valve: No-lead brass¹

Valve Shank: No-lead brass¹/copper/PPSU/CPVC, 304SS grip ring

Plate: ABS

Escutcheon: FR-ABS²

Debris cover: Polyethylene

CERTIFICATIONS/APPROVALS

NSF-372 compliant, IAPMO listed plate and valves

Valves meet ASME A112.18.1

VALVE SAFE WORKING LIMITS

Max working temp: 200 °F

Max air/water testing & working pressure: 150 PSIG

DIMENSIONS

A: Plate width/height 4-1/2"

B: Plate to valve outlet

Standard valve 1-7/8"

Extended valve 2-3/4"

C: Plate to valve supply 1-1/2"

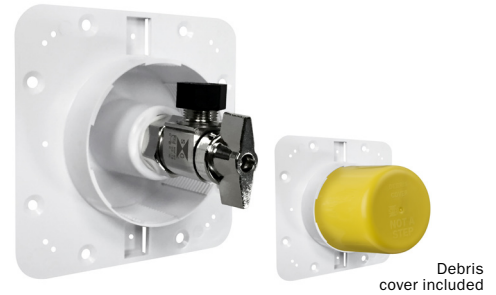
D: Frame* ID 2-1/2"

E: Frame* OD 4"

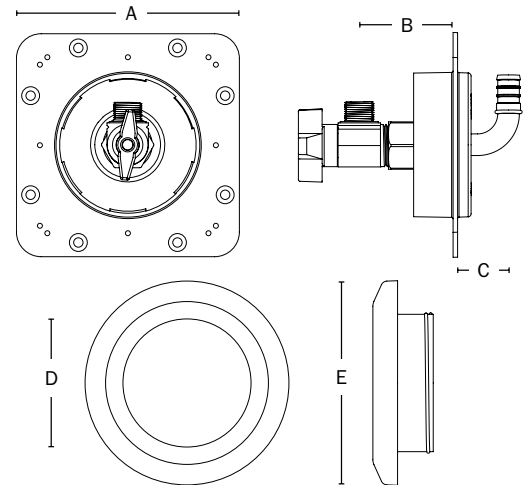
1 C69300 material is DZR and SCC resistant, compliant with NSF-61 & 372, and compliant with California No Lead Plumbing Law

2 Escutcheons available separately

ITEM # SUBMITTED	_____
JOB NAME	_____
LOCATION	_____
ENGINEER	_____
CONTRACTOR	_____
PO#	_____ TAG _____



699-A1-XR



Create Item Number

699A B

e.g. **699-A1-XR:** Access plate with 3/8" valve, F1807 PEX connection, debris cover and color clips included

e.g. **699-A1EWR:** Access plate with extended 3/8" valve, F1960 PEX connection, debris cover and color clips included

VALVE OUTLET CONNECTION **A**

A0- = 1/4" Comp. thread - angle

A1- = 3/8" Comp. thread - angle

A1E = 3/8" Comp. thread - extended/angle

A3- = 3/4" Male hose thread - angle

SUPPLY INLET CONNECTION **B**

CR = 1/2" CPVC socket

MR = 1/2" MIP/FSWT

PR = 1/2" MSWT/Press/Push

VR = 1/2" F3347 PEX

WR = 1/2" F1960 PEX

XR = 1/2" F1807 PEX

Accessories - Available Separately:

699RF: Fire-rated white escutcheon

699-FC: Fire-rated chrome escutcheon