



# San Souci®

One-piece compact elongated toilet with concealed trapway, 1.28 gpf  
K-5172-RA

## Features

- One-piece toilets integrate the tank and bowl into a seamless, easy-to-clean design
- Compact elongated bowl offers added comfort while occupying the same space as a round-front bowl
- Low-profile design
- Comfort Height® feature offers chair-height seating that makes sitting down and standing up easier for most adults
- 1.28 gpf (4.8 lpf)
- Concealed trapway and Clean Caps® low-profile bolt caps facilitate easier cleaning and enhance design
- Includes K-4008 Reveal® Quiet-Close™ seat
- Right-hand Polished Chrome trip lever
- Quiet-Close™ compact elongated lid and seat prevents slamming



## Technology

- Single-flush gravity uses the force of gravity and a precision-engineered tank, bowl, and trapway to create a strong siphon during flushing
- AquaPiston® canister allows water to flow into the bowl from all sides (360°), increasing the power and effectiveness of the flush
- Flush valve's 3:2 ratio harnesses the natural force of gravity and optimizes flush performance
- Durable canister design has 90% less exposed seal material than a 3" flapper for leak-free performance
- Light-touch canister flush requires a lower actuation force than a flapper

## Installation

- Standard 12" (305 mm) rough-in
- Supply line sold separately

## Water Conservation & Rebates

- Eligible for consumer rebates in some municipalities

## Recommended Products/Accessories

- K-75796 Cachet® Nightlight Quiet-Close™ elongated toilet seat
- K-4108 C³®-230 Elongated bidet toilet seat with remote control
- K-9171-R Trip Lever for K-5172-RA  
1023457  
1265114
- K-23726 Drain treatment

## Included Components

Additional Components:

ADA	CSA B651	OBC
-----	----------	-----

## Codes/Standards



- ASME A112.19.2/CSA B45.1
- DOE - Energy Policy Act 1992
- EPA WaterSense®
- California Energy Commission (CEC)
- ADA
- ICC/ANSI A117.1
- CSA B651
- OBC

## KOHLER® Toilets and Seats Limited Warranty

See website for detailed warranty information.

## Available Colors/Finishes

*Color tiles intended for reference only.*

Color	Code	Description
	0	White
	96	Biscuit

1-800-4KOHLER (1-800-456-4537)

Kohler Co. reserves the right to make revisions without notice to product specifications.

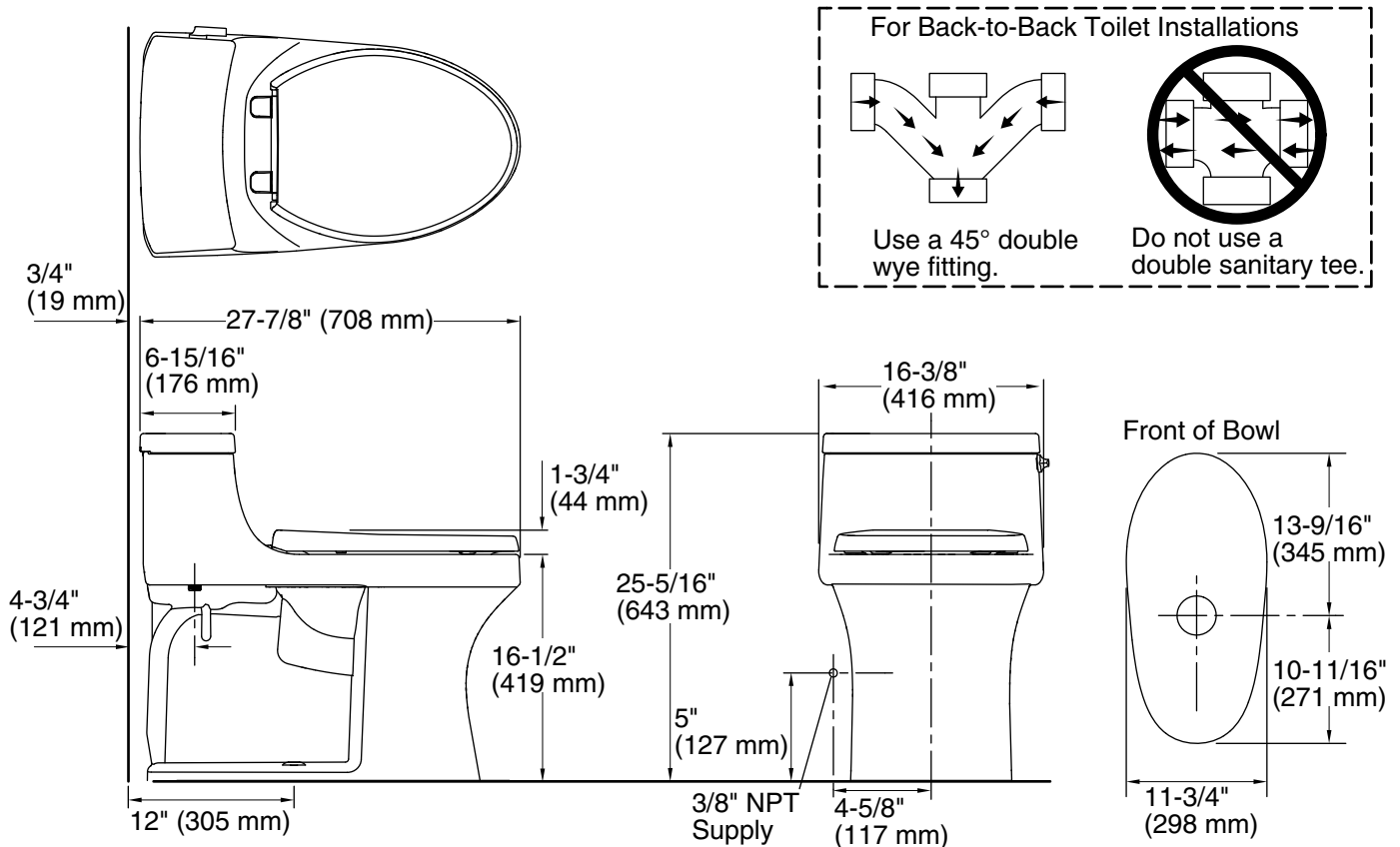
For the most current Specification Sheet, go to [www.kohler.com](http://www.kohler.com).

3-7-2023 01:17 - US/CA

THE BOLD LOOK  
OF **KOHLER**®

# KOHLER®

## San Souci® One-piece compact elongated toilet with concealed trapway, 1.28 gpf K-5172-RA



### Technical Information

All product dimensions are nominal.

Toilet type:	Floor-mount
Waste Outlet:	Floor
Bowl shape:	Compact elongated
Flush type:	Class Five Single-Flush
Trap passageway:	2-1/8" (54 mm)
Water surface size:	10-3/4" x 7-1/2" (273 mm x 191 mm)
Rim to water surface:	5-3/8" (137 mm)
Rough-in:	12" (305 mm)
Seat-mounting holes:	5-1/2" (140 mm)

### Notes

Install this product according to the installation instructions.

For back-to-back toilet installations: Use only a 45° double wye fitting.

ADA, OBC, CSA B651 compliant when installed to the specific requirements of these regulations.

Plumbing codes may require elongated toilets and elongated, open-front seats in public bathrooms.

Accessibility standards may require controls to be located on the open side of the toilet.

1-800-4KOHLER (1-800-456-4537)

Kohler Co. reserves the right to make revisions without notice to product specifications.

For the most current Specification Sheet, go to [www.kohler.com](http://www.kohler.com).

3-7-2023 01:17 - US/CA

THE BOLD LOOK  
OF **KOHLER®**