

# COMPACT WASHING MACHINE OUTLET BOX

» 696 SERIES

OxBox ONE™

ITEM # SUBMITTED	_____
JOB NAME	_____
LOCATION	_____
ENGINEER	_____
CONTRACTOR	_____
PO#	_____ TAG _____

## SPECIFICATION

Sioux Chief 696 series supply OxBox™ shall be used where necessary in residential or commercial plumbing supply/drainage systems. Access box can be secured directly to vertical stud or between studs using galvanized bracket. Arrester variations can be installed with arresters at any angle. Unit shall be available with ¼-turn valves. Metal support bracket shall install into top/bottom tracks of box. Outlet connections shall be generally ¾". Outlet connections should generally be provided with a test/tamper-resistant cap. Drain box shall have a ⅝" integral testable nipple on knockout. Every unit shall include a debris cover for protection during rough-in. Valves will be plated. Arrester option handles can be operated together (single throw) or independently.

## MATERIALS

**Valve body:** brass<sup>1,2</sup>  
**Valve Shank:** brass<sup>1,2</sup>/copper/PPSU/CPVC, 304SS grip ring  
**Outlet box/Frame/Arrester Clip:** ABS  
**Arrester body:** stainless steel, C69300 NL brass<sup>1</sup>  
**Bracket:** galvanized steel  
**Arrester Piston:** GFPP with EPDM o-rings

## CERTIFICATIONS/APPROVALS

NSF-372 compliant<sup>1</sup>, IAPMO listed box and valves  
 Valves meet ASME A112.18.1, ASSE 1010 Arresters\*

## VALVE/ARRESTER WORKING LIMITS

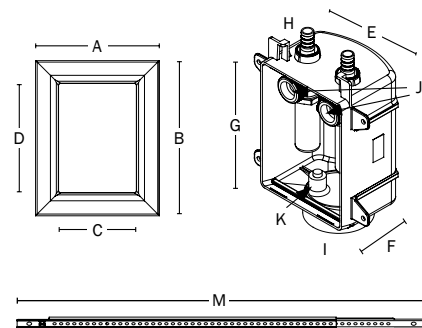
**Max working temperature:** 200°F  
**Max air/water testing & working pressure:** 150 PSIG

## DIMENSIONS

<b>A:</b> Frame width	5¾"
<b>B:</b> Frame height	7¼"
<b>C:</b> Frame opening width	3⅝"
<b>D:</b> Frame opening height	5⅛"
<b>E:</b> Rough-in box width	4"
<b>F:</b> Rough-in box depth	3½"
<b>G:</b> Rough-in box height	5½"
<b>H:</b> Supply connection	½" nominal, 2" O.C.
<b>I:</b> Drain connection	2" Sch. 40 hub
<b>J:</b> Outlet connection	¾" male hose thread
<b>K:</b> Test nipple	⅝" O.D.
<b>M:</b> Bracket length	18"



696-G2413WF



## Create Item Number

### 696-A24BCD

e.g. **696-G2413MF:** Compact washing machine outlet with MIP/F.SWT valves, 2" drain connection, frame included

#### VALVES **A**

- = Standard brass valve<sup>2</sup>  
 -G = No-lead brass<sup>1</sup>

#### ARRESTER **B**

**03** = No arrester  
**13** = With arrester\*

#### SUPPLY CONNECTION **C**

**C** = ½" Male CPVC  
**M** = ½" MIP/F.SWT  
**P** = ½" Male sweat/press/push  
**V** = ½" Viega PureFlow® PEX  
**W** = ½" PEX F1960 Grip™  
**X** = ½" PEX F1807/F2159 Crimp™

#### FRAME OPTION **D**

**F** = Standard pack (supply box, frame, bracket, debris cover)  
**R** = Rough-in pack (supply box, bracket, debris cover)

Available Separately:

696-1F: Frame only  
 696-1SC: Frame insert w/ hose knockout  
 696-EX: Frame extension

<sup>1</sup>No-Lead options include C69300 dezincification and SCC resistant material, and are compliant with NSF-61 Annex G and California No Lead Plumbing Law  
<sup>2</sup>Leaded brass options are C37700 and C36000