

# EVAPORATOR COILS

## PRODUCT SPECIFICATIONS

FORM NO. 7EC/7EH/7ED-100 (03/2024)

### MULTI-REFRIGERANT COIL FEATURES

- Factory ready for R-410A installation
- Field-convertible to R-454B with additional field kit and R454B TXV
- 1.5 to 5 ton nominal sizes

### Coil Construction

- **Omniguard™ Total Corrosion Protection\*** helps protect against leaks and corrosion for long term performance
- Aluminum tubing, hairpins, distributor and header tubes
- Copper refrigerant sweat connections on both liquid and suction lines for easy brazing

### Casing Construction

- Pre-painted heavy gauge steel
- Tightly sealed with wall-to-wall foil-face insulation to ensure <2% air leakage
- Interlocking door assemblies and snug line seal grommets

### Drain Pan

- Microban® antimicrobial additive to resist mold and mildew growth
- Low water retention minimizing mold and mildew growth
- Compatible with UV lights

### Ease of Install

- Coils exactly match the corresponding furnaces with the same letter designation in the model number
- Preformed duct collar for quick and easy plenum connections
- Refrigerant lines extend outside of the cabinet for easy connection

### Ease of Service

- Removable cabinet panels
- Single protruding dual drain port
- Coil slides out, tubing located at door split, and foil-face insulation for easy cleaning

### MULTI-REFRIGERANT COIL OPTIONS

All multi-refrigerant options are cased only

#### 7EC-01

- Dedicated upflow
- Factory installed R-410A TXV for quick installation

#### 7EH-01

- Dedicated horizontal
- Factory installed R-410A TXV for quick installation

#### 7ED-01

- Dedicated downflow
- Factory installed R-410A TXV for quick installation
- Fully supports the furnace without additional bracing

### OPTIONAL ACCESSORIES

#### R-454B Coil Conversion Kit (R-410A to R-454B)

- Complies with UL 60335-2-40 approved standard
- Required for all systems using R-454B refrigerant
- Consists of a refrigerant detection sensor, mounting bracket, A2L labels and installation instructions

#### R-454B Expansion Valve

- For use with R-454B systems
- Replaces factory installed threaded on TXV, internal to cabinet

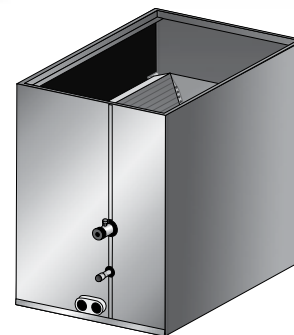
### WARRANTY

10 year limited parts warranty available when applied with a system. See limited warranty document for details.

7EC-01



7EH-01



7ED-01

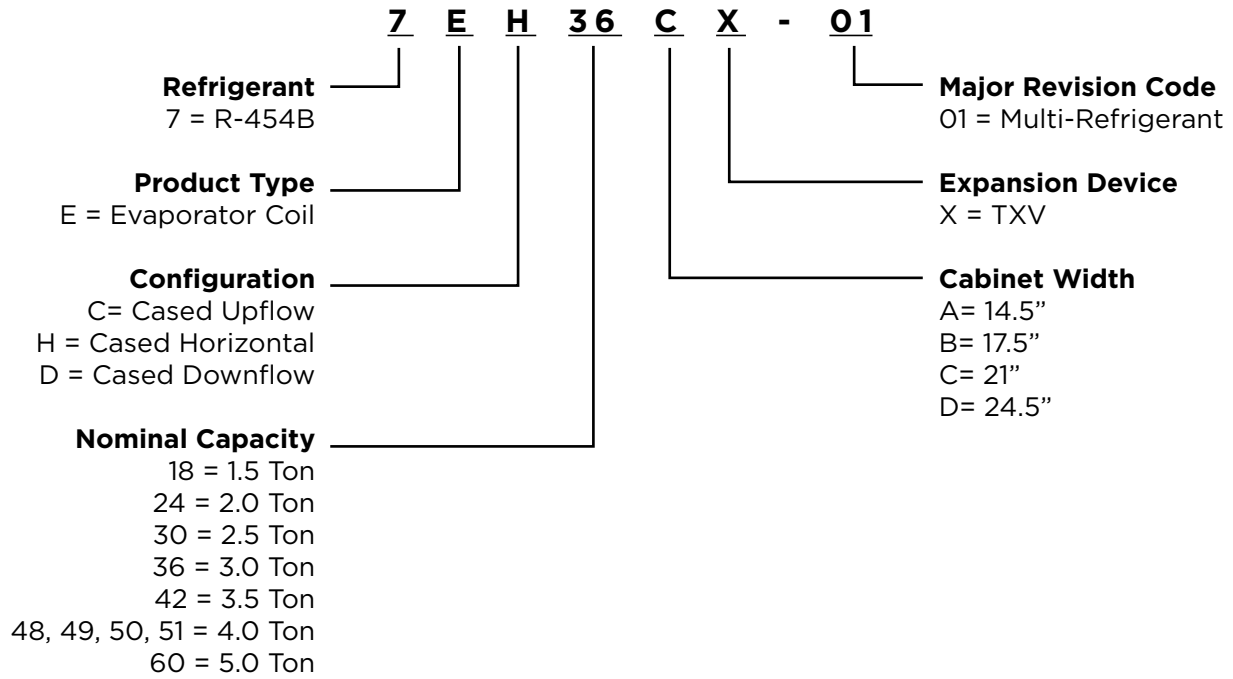


**NOTE - Coils are furnished with a factory installed threaded R-410A expansion valve. As an option a R-454B expansion valve may be substituted.**

**NOTE - R-454B Coil Conversion Kit (26Z69) is required with expansion valve substitution and must be ordered separately.**

**NOTE - Once a coil has been field converted to R-454B, it can no longer be used in R-410A applications.**

**MODEL NUMBER GUIDE**



## 7EC-01

| SPECIFICATIONS       |                              |                     |           |         | 1.5 TO 2 TON |
|----------------------|------------------------------|---------------------|-----------|---------|--------------|
| General Data         | Model No.                    | 7EC18/24A           | 7EC18/24B | 7EC24A  | 7EC24B       |
|                      |                              | Nominal size - Tons | 1.5 / 2   | 1.5 / 2 | 2            |
| Line Connections in. | Suction / vapor o.d. - sweat | 3/4                 | 3/4       | 3/4     | 3/4          |
|                      | Liquid o.d. - sweat          | 3/8                 | 3/8       | 3/8     | 3/8          |
|                      | Condensate drain (fpt)       | (2) 3/4             | (2) 3/4   | (2) 3/4 | (2) 3/4      |
| Shipping Data - lbs. |                              | 30                  | 34        | 38      | 43           |

| SPECIFICATIONS       |                              |                     |         |           | 2.5 TO 3 TON |
|----------------------|------------------------------|---------------------|---------|-----------|--------------|
| General Data         | Model No.                    | 7EC30A              | 7EC30B  | 7EC30/36A | 7EC30/36B    |
|                      |                              | Nominal size - Tons | 2.5     | 2.5       | 2.5 / 3      |
| Line Connections in. | Suction / vapor o.d. - sweat | 3/4                 | 3/4     | 3/4       | 3/4          |
|                      | Liquid o.d. - sweat          | 3/8                 | 3/8     | 3/8       | 3/8          |
|                      | Condensate drain (fpt)       | (2) 3/4             | (2) 3/4 | (2) 3/4   | (2) 3/4      |
| Shipping Data - lbs. |                              | 45                  | 50      | 41        | 45           |

| SPECIFICATIONS       |                              |                     |         |         | 2.5 TO 4 TON |         |
|----------------------|------------------------------|---------------------|---------|---------|--------------|---------|
| General Data         | Model No.                    | 7EC30/36C           | 7EC36A  | 7EC36B  | 7EC48B       | 7EC48C  |
|                      |                              | Nominal size - Tons | 2.5 / 3 | 3       | 3            | 3.5 / 4 |
| Line Connections in. | Suction / vapor o.d. - sweat | 3/4                 | 3/4     | 3/4     | 7/8          | 7/8     |
|                      | Liquid o.d. - sweat          | 3/8                 | 3/8     | 3/8     | 3/8          | 3/8     |
|                      | Condensate drain (fpt)       | (2) 3/4             | (2) 3/4 | (2) 3/4 | (2) 3/4      | (2) 3/4 |
| Shipping Data - lbs. |                              | 48                  | 46      | 50      | 55           | 60      |

| SPECIFICATIONS       |                              |                     |           |         | 4 TO 5 TON |
|----------------------|------------------------------|---------------------|-----------|---------|------------|
| General Data         | Model No.                    | 7EC49C              | 7EC50/60C | 7EC60C  | 7EC60D     |
|                      |                              | Nominal size - Tons | 4         | 4 / 5   | 5          |
| Line Connections in. | Suction / vapor o.d. - sweat | 7/8                 | 7/8       | 7/8     | 7/8        |
|                      | Liquid o.d. - sweat          | 3/8                 | 3/8       | 3/8     | 3/8        |
|                      | Condensate drain (fpt)       | (2) 3/4             | (2) 3/4   | (2) 3/4 | (2) 3/4    |
| Shipping Data - lbs. |                              | 70                  | 60        | 73      | 72         |

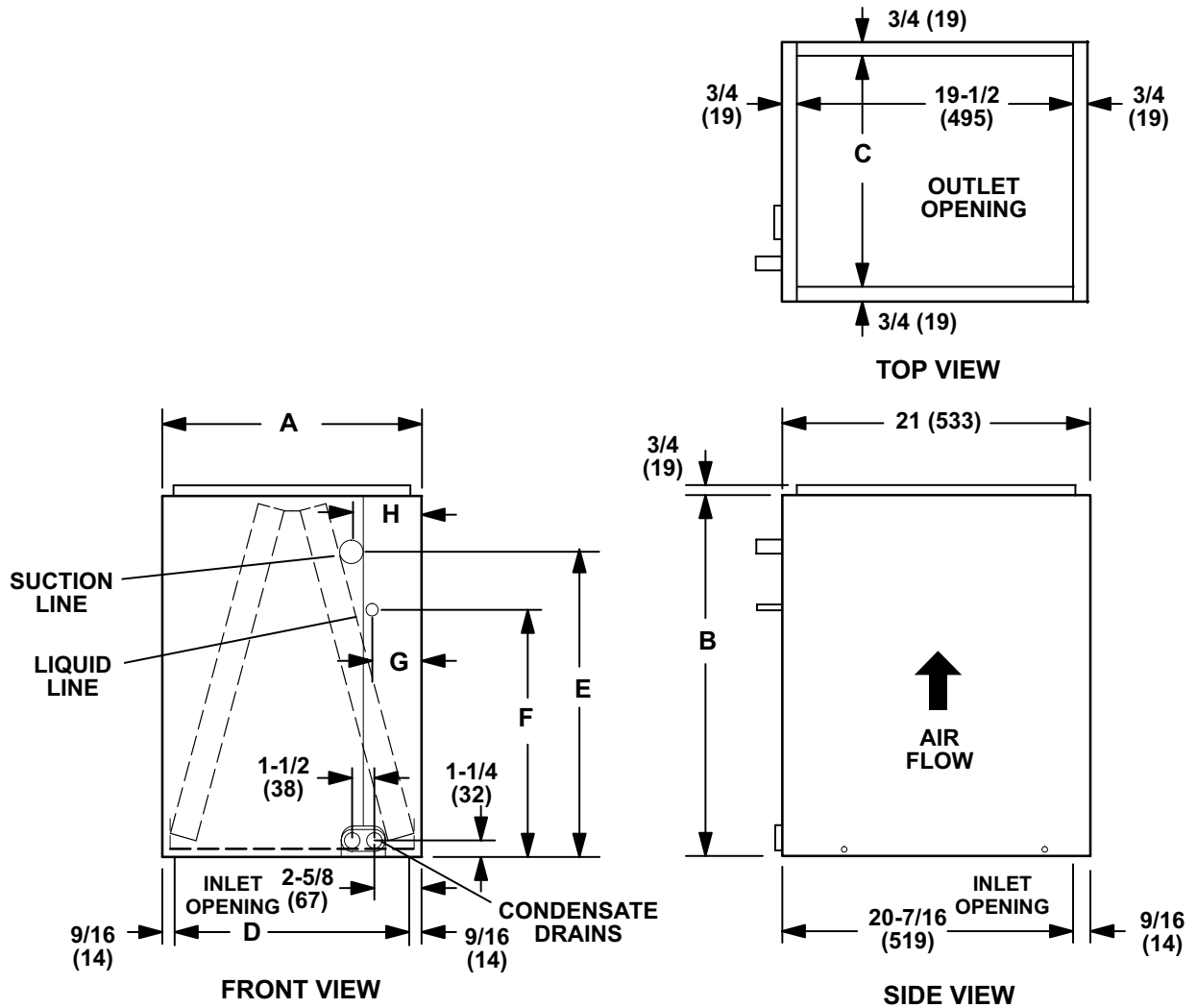
# 7EC-01

## AIR RESISTANCE

| Model No.   | Air Volume<br>cfm | Total Resistance |          |
|---|-------------------|------------------|----------|
|   |                   | Dry Coil         | Wet Coil |
|   |                   | in. w.g.         | in. w.g. |
| <b>7EC18/24A</b><br><b>7EC18/24B</b>                  | 400               | 0.06             | 0.08     |
|   | 600               | 0.11             | 0.17     |
|   | 800               | 0.18             | 0.25     |
|   | 1000              | 0.27             | 0.39     |
|   | 1200              | 0.37             | 0.52     |
| <b>7EC24A</b>   | 400               | 0.05             | 0.05     |
|   | 600               | 0.09             | 0.10     |
|   | 800               | 0.16             | 0.18     |
|   | 1000              | 0.23             | 0.26     |
|   | 1200              | 0.32             | 0.36     |
| <b>7EC24B</b>   | 400               | 0.03             | 0.04     |
|   | 600               | 0.07             | 0.09     |
|   | 800               | 0.11             | 0.15     |
|   | 1000              | 0.17             | 0.22     |
|   | 1200              | 0.23             | 0.31     |
| <b>7EC30A</b>   | 600               | 0.07             | 0.08     |
|   | 800               | 0.12             | 0.13     |
|   | 1000              | 0.18             | 0.20     |
|   | 1200              | 0.26             | 0.28     |
|   | 1400              | 0.34             | 0.37     |
| <b>7EC30B</b>   | 600               | 0.06             | 0.06     |
|   | 800               | 0.09             | 0.11     |
|   | 1000              | 0.13             | 0.16     |
|   | 1200              | 0.19             | 0.23     |
|   | 1400              | 0.25             | 0.31     |
| <b>7EC30/36A</b>                                      | 800               | 0.13             | 0.14     |
|   | 1000              | 0.19             | 0.21     |
|   | 1200              | 0.27             | 0.30     |
|   | 1400              | 0.34             | 0.39     |
|   | 1600              | 0.45             | 0.51     |
| <b>7EC30/36B</b><br><b>7EC30/36C</b><br><b>7EC36B</b> | 800               | 0.08             | 0.11     |
|   | 1000              | 0.13             | 0.16     |
|   | 1200              | 0.17             | 0.21     |
|   | 1400              | 0.22             | 0.28     |
|   | 1600              | 0.29             | 0.34     |

| Model No.        | Air Volume<br>cfm | Total Resistance |          |
|------------------|-------------------|------------------|----------|
|                  |                   | Dry Coil         | Wet Coil |
|                  |                   | in. w.g.         | in. w.g. |
| <b>7EC36A</b>    | 800               | 0.13             | 0.14     |
|                  | 1000              | 0.19             | 0.21     |
|                  | 1200              | 0.27             | 0.30     |
|                  | 1400              | 0.34             | 0.39     |
|                  | 1600              | 0.45             | 0.51     |
|                  | 1800              | 0.57             | 0.64     |
| <b>7EC48B</b>    | 1000              | 0.13             | 0.13     |
|                  | 1200              | 0.18             | 0.18     |
|                  | 1400              | 0.23             | 0.24     |
|                  | 1600              | 0.30             | 0.31     |
|                  | 1800              | 0.37             | 0.40     |
| <b>7EC48C</b>    | 1000              | 0.07             | 0.09     |
|                  | 1200              | 0.10             | 0.12     |
|                  | 1400              | 0.13             | 0.16     |
|                  | 1600              | 0.16             | 0.20     |
|                  | 1800              | 0.20             | 0.24     |
| <b>7EC49C</b>    | 1200              | 0.08             | 0.12     |
|                  | 1400              | 0.13             | 0.17     |
|                  | 1600              | 0.17             | 0.22     |
|                  | 1800              | 0.22             | 0.28     |
|                  | 2000              | 0.28             | 0.35     |
| <b>7EC50/60C</b> | 1200              | 0.13             | 0.17     |
|                  | 1400              | 0.18             | 0.23     |
|                  | 1600              | 0.23             | 0.29     |
|                  | 1800              | 0.28             | 0.37     |
|                  | 2000              | 0.34             | 0.43     |
| <b>7EC60D</b>    | 1400              | 0.11             | 0.15     |
|                  | 1600              | 0.14             | 0.18     |
|                  | 1800              | 0.17             | 0.21     |
|                  | 2000              | 0.21             | 0.27     |
|                  | 2200              | 0.25             | 0.32     |
|                  | 2400              | 0.30             | 0.37     |
| <b>7EC60C</b>    | 1400              | 0.15             | 0.19     |
|                  | 1600              | 0.19             | 0.23     |
|                  | 1800              | 0.24             | 0.28     |
|                  | 2000              | 0.29             | 0.34     |
|                  | 2200              | 0.33             | 0.40     |
|                  | 2400              | 0.39             | 0.46     |

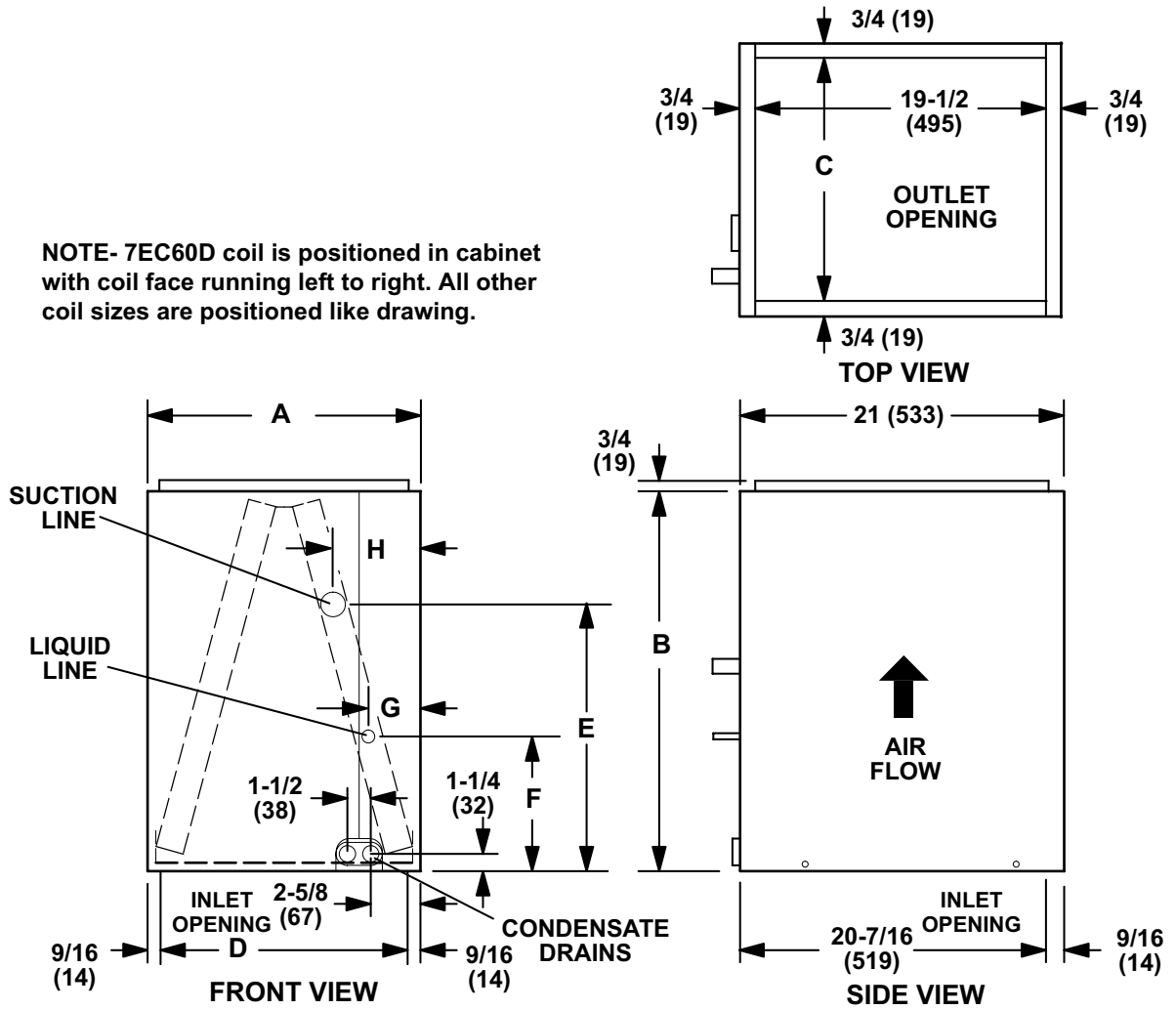
7EC-18/24(A/B), -30/36(A/B/C) and -36(A/B) Coils



| Model Number     | A      |     | B      |     | C      |     | D      |     | E      |     | F     |     | G     |    | H     |     |
|------------------|--------|-----|--------|-----|--------|-----|--------|-----|--------|-----|-------|-----|-------|----|-------|-----|
|                  | in.    | mm  | in.    | mm  | in.    | mm  | in.    | mm  | in.    | mm  | in.   | mm  | in.   | mm | in.   | mm  |
| <b>7EC18/24A</b> | 14-1/2 | 368 | 16-1/2 | 419 | 13     | 330 | 13-3/8 | 340 | 7-3/8  | 187 | 3-1/2 | 89  | 3     | 76 | 3-7/8 | 98  |
| <b>7EC18/24B</b> | 17-1/2 | 445 | 16-1/2 | 419 | 16     | 406 | 16-3/8 | 416 | 7      | 178 | 3-1/2 | 89  | 3     | 76 | 3-7/8 | 98  |
| <b>7EC30/36A</b> | 14-1/2 | 368 | 24-1/2 | 622 | 13     | 330 | 13-3/8 | 340 | 14-1/4 | 362 | 4-3/4 | 121 | 3     | 76 | 3-7/8 | 98  |
| <b>7EC30/36B</b> | 17-1/2 | 445 | 24-1/2 | 622 | 16     | 406 | 16-3/8 | 416 | 13-3/8 | 340 | 4-3/4 | 121 | 3     | 76 | 4-1/8 | 108 |
| <b>7EC30/36C</b> | 21     | 533 | 24-1/2 | 622 | 19-1/2 | 495 | 19-7/8 | 505 | 14-3/8 | 365 | 4-3/4 | 121 | 3     | 76 | 3-5/8 | 92  |
| <b>7EC36A</b>    | 14-1/2 | 368 | 24-1/2 | 622 | 13     | 330 | 13-3/8 | 340 | 13-1/2 | 343 | 4-3/4 | 121 | 2     | 52 | 3-1/4 | 83  |
| <b>7EC36B</b>    | 17-1/2 | 445 | 24-1/2 | 622 | 16     | 406 | 16-3/8 | 416 | 13-3/4 | 350 | 4-3/4 | 121 | 2-5/8 | 67 | 3-7/8 | 98  |

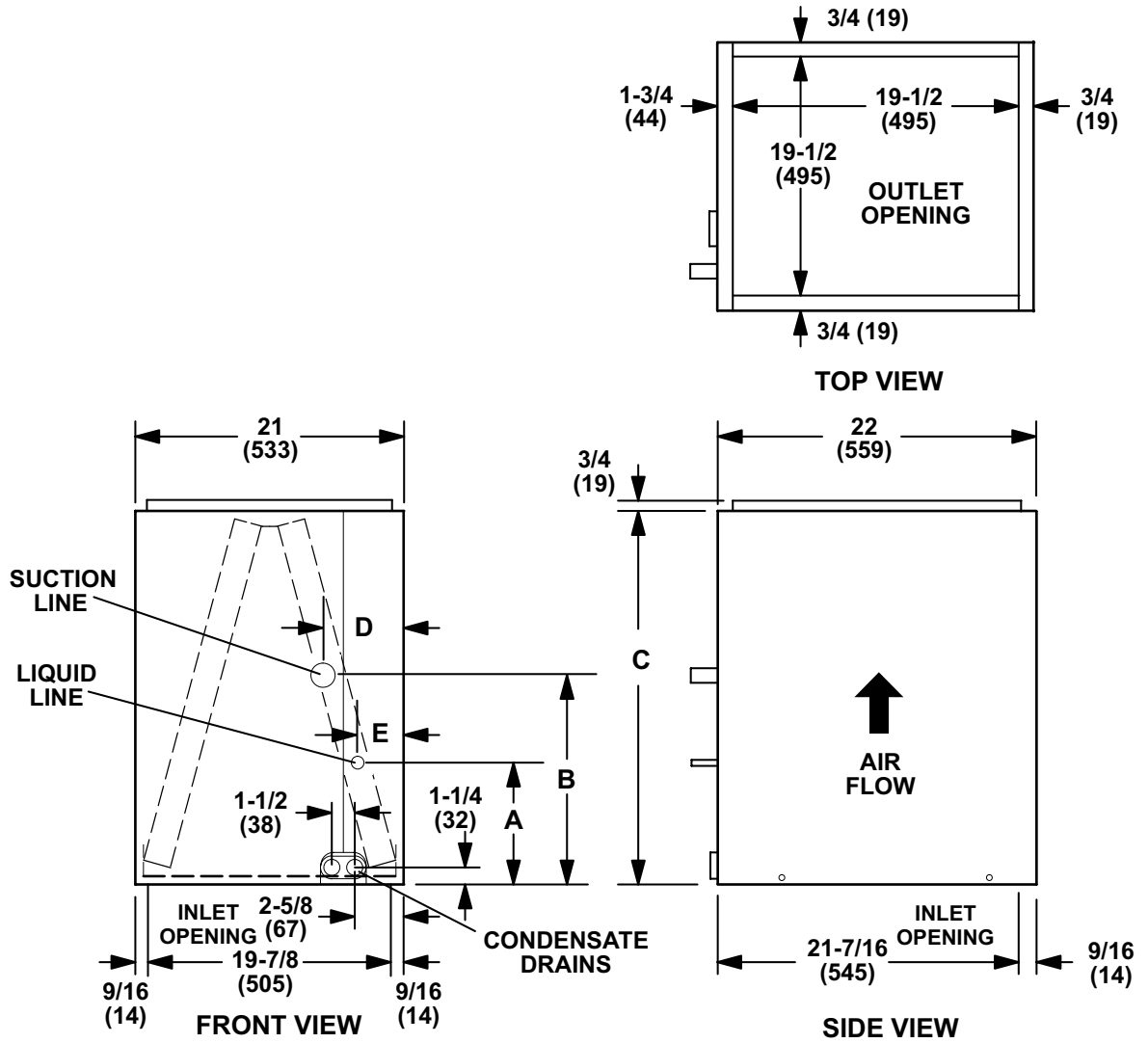
7EC-24(A/B), -30(A/B), -48(B/C), -50/60C and -60D Coils

NOTE- 7EC60D coil is positioned in cabinet with coil face running left to right. All other coil sizes are positioned like drawing.



| Model Number     | A      |     | B      |     | C      |     | D      |     | E      |     | F     |     | G     |    | H     |     |
|------------------|--------|-----|--------|-----|--------|-----|--------|-----|--------|-----|-------|-----|-------|----|-------|-----|
|                  | in.    | mm  | in.    | mm  | in.    | mm  | in.    | mm  | in.    | mm  | in.   | mm  | in.   | mm | in.   | mm  |
| <b>7EC24A</b>    | 14-1/2 | 368 | 18-1/2 | 470 | 13     | 330 | 13-3/8 | 340 | 10-1/8 | 257 | 3-3/8 | 86  | 3     | 76 | 3-7/8 | 98  |
| <b>7EC24B</b>    | 17-1/2 | 445 | 18-1/2 | 470 | 16     | 406 | 16-3/8 | 416 | 10     | 254 | 3-1/2 | 89  | 3     | 76 | 3-7/8 | 98  |
| <b>7EC30A</b>    | 14-1/2 | 368 | 22-1/2 | 572 | 13     | 330 | 13-3/8 | 340 | 12     | 305 | 3-3/8 | 86  | 3     | 76 | 3-7/8 | 98  |
| <b>7EC30B</b>    | 17-1/2 | 445 | 22-1/2 | 572 | 16     | 406 | 16-3/8 | 416 | 10-1/2 | 267 | 3-3/8 | 86  | 3     | 76 | 3-7/8 | 98  |
| <b>7EC48B</b>    | 17-1/2 | 445 | 27-1/2 | 699 | 16     | 406 | 16-3/8 | 416 | 12-7/8 | 327 | 3-7/8 | 98  | 3     | 76 | 4     | 102 |
| <b>7EC48C</b>    | 21     | 533 | 27-1/2 | 699 | 19-1/2 | 495 | 19-7/8 | 505 | 12-1/2 | 318 | 4-3/4 | 121 | 2-3/4 | 70 | 3-1/2 | 89  |
| <b>7EC50/60C</b> | 21     | 533 | 27-1/2 | 699 | 19-1/2 | 495 | 19-7/8 | 505 | 12-1/2 | 318 | 4-3/4 | 121 | 2-3/4 | 70 | 3-1/2 | 89  |
| <b>7EC60D</b>    | 24-1/2 | 622 | 29-1/2 | 749 | 23     | 584 | 23-3/8 | 594 | 15-1/8 | 384 | 4-1/2 | 121 | 1-5/8 | 41 | 2-5/8 | 67  |

7EC-49C and 7EC-60C



| Model Number  | A     |     | B      |     | C      |     | D     |    | E     |    |
|---------------|-------|-----|--------|-----|--------|-----|-------|----|-------|----|
|               | in.   | mm  | in.    | mm  | in.    | mm  | in.   | mm | in.   | mm |
| <b>7EC49C</b> | 4-3/4 | 121 | 12-1/8 | 308 | 29-1/2 | 749 | 3-3/8 | 86 | 2-1/2 | 64 |
| <b>7EC60C</b> | 4-3/4 | 121 | 14-1/2 | 368 | 31-1/2 | 800 | 3-3/8 | 86 | 2-1/2 | 64 |

# 7EH-01

| SPECIFICATIONS       |                        |                            |         |         |         |         |         | 1.5 TO 3 TON |
|----------------------|------------------------|----------------------------|---------|---------|---------|---------|---------|--------------|
| General Data         | Model No.              | 7EH18A                     | 7EH24A  | 7EH24B  | 7EH30A  | 7EH30B  | 7EH36A  | 7EH36B       |
|                      |                        | <b>Nominal size - Tons</b> | 1.5     | 2       | 2       | 2.5     | 2.5     | 3            |
| Line connections in. | Suction o.d. - sweat   | 7/8                        | 7/8     | 7/8     | 7/8     | 7/8     | 7/8     | 7/8          |
|                      | Liquid o.d. - sweat    | 3/8                        | 3/8     | 3/8     | 3/8     | 3/8     | 3/8     | 3/8          |
|                      | Condensate drain (fpt) | (2) 3/4                    | (2) 3/4 | (2) 3/4 | (2) 3/4 | (2) 3/4 | (2) 3/4 | (2) 3/4      |
| Shipping Data - lbs. |                        | 43                         | 45      | 49      | 55      | 53      | 47      | 48           |

| SPECIFICATIONS       |                        |                            |         |         |         |         |         | 3 TO 5 TON |
|----------------------|------------------------|----------------------------|---------|---------|---------|---------|---------|------------|
| General Data         | Model No.              | 7EH36C                     | 7EH42B  | 7EH42C  | 7EH48B  | 7EH48C  | 7EH51C  | 7EH60D     |
|                      |                        | <b>Nominal size - Tons</b> | 3       | 3.5     | 3.5     | 3.5/4   | 3.5/4   | 4          |
| Line connections in. | Suction o.d. - sweat   | 7/8                        | 7/8     | 7/8     | 7/8     | 7/8     | 7/8     | 7/8        |
|                      | Liquid o.d. - sweat    | 3/8                        | 3/8     | 3/8     | 3/8     | 3/8     | 3/8     | 3/8        |
|                      | Condensate drain (fpt) | (2) 3/4                    | (2) 3/4 | (2) 3/4 | (2) 3/4 | (2) 3/4 | (2) 3/4 | (2) 3/4    |
| Shipping Data - lbs. |                        | 55                         | 66      | 60      | 60      | 59      | 69      | 78         |



# 7EH-01

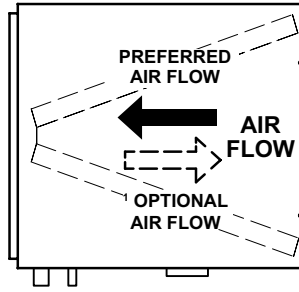
## AIR RESISTANCE

| Model No.     | Air Volume<br>cfm | Total Resistance |          |
|---------------|-------------------|------------------|----------|
|               |                   | Dry Coil         | Wet Coil |
|               |                   | in. w.g.         | in. w.g. |
| <b>7EH18A</b> | 200               | 0.02             | 0.02     |
|               | 400               | 0.05             | 0.06     |
|               | 600               | 0.09             | 0.11     |
|               | 800               | 0.15             | 0.17     |
|               | 1000              | 0.22             | 0.25     |
| <b>7EH24A</b> | 400               | 0.04             | 0.05     |
|               | 600               | 0.09             | 0.11     |
|               | 800               | 0.15             | 0.19     |
|               | 1000              | 0.23             | 0.29     |
|               | 1200              | 0.32             | 0.40     |
| <b>7EH24B</b> | 400               | 0.03             | 0.04     |
|               | 600               | 0.05             | 0.07     |
|               | 800               | 0.09             | 0.11     |
|               | 1000              | 0.15             | 0.17     |
|               | 1200              | 0.21             | 0.23     |
|               | 1400              | 0.28             | 0.30     |
| <b>7EH30A</b> | 400               | 0.04             | 0.05     |
|               | 600               | 0.09             | 0.10     |
|               | 800               | 0.15             | 0.17     |
|               | 1000              | 0.24             | 0.27     |
|               | 1200              | 0.34             | 0.38     |
|               | 1400              | 0.45             | 0.51     |
| <b>7EH30B</b> | 400               | 0.02             | 0.02     |
|               | 600               | 0.05             | 0.06     |
|               | 800               | 0.09             | 0.11     |
|               | 1000              | 0.14             | 0.16     |
|               | 1200              | 0.19             | 0.23     |
|               | 1400              | 0.26             | 0.30     |
| <b>7EH36A</b> | 800               | 0.15             | 0.18     |
|               | 1000              | 0.22             | 0.27     |
|               | 1200              | 0.30             | 0.39     |
|               | 1400              | 0.41             | 0.48     |
|               | 1600              | 0.53             | 0.63     |
| <b>7EH36B</b> | 800               | 0.08             | 0.10     |
|               | 1000              | 0.11             | 0.16     |
|               | 1200              | 0.16             | 0.21     |
|               | 1400              | 0.21             | 0.27     |
|               | 1600              | 0.27             | 0.35     |

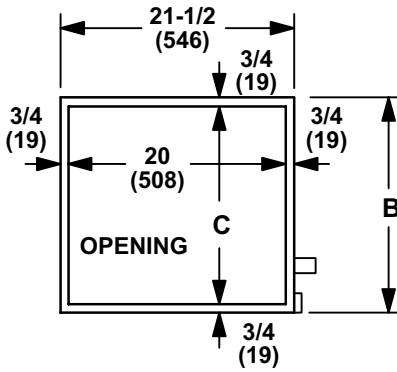
| Model No.     | Air Volume<br>cfm | Total Resistance |          |
|---------------|-------------------|------------------|----------|
|               |                   | Dry Coil         | Wet Coil |
|               |                   | in. w.g.         | in. w.g. |
| <b>7EH36C</b> | 800               | 0.06             | 0.08     |
|               | 1000              | 0.10             | 0.13     |
|               | 1200              | 0.15             | 0.18     |
|               | 1400              | 0.19             | 0.23     |
|               | 1600              | 0.24             | 0.31     |
| <b>7EH42B</b> | 800               | 0.10             | 0.10     |
|               | 1000              | 0.14             | 0.18     |
|               | 1200              | 0.20             | 0.25     |
|               | 1400              | 0.26             | 0.31     |
|               | 1600              | 0.34             | 0.36     |
|               | 1800              | 0.42             | 0.47     |
| <b>7EH42C</b> | 800               | 0.06             | 0.06     |
|               | 1000              | 0.09             | 0.10     |
|               | 1200              | 0.15             | 0.16     |
|               | 1400              | 0.18             | 0.21     |
|               | 1600              | 0.26             | 0.28     |
|               | 1800              | 0.31             | 0.38     |
| <b>7EH48B</b> | 1000              | 0.14             | 0.16     |
|               | 1200              | 0.19             | 0.23     |
|               | 1400              | 0.25             | 0.29     |
|               | 1600              | 0.30             | 0.38     |
|               | 1800              | 0.38             | 0.42     |
| <b>7EH48C</b> | 1200              | 0.16             | 0.19     |
|               | 1400              | 0.21             | 0.26     |
|               | 1600              | 0.27             | 0.30     |
|               | 1800              | 0.33             | 0.39     |
|               | 2000              | 0.39             | 0.49     |
| <b>7EH51C</b> | 1200              | 0.15             | 0.16     |
|               | 1400              | 0.20             | 0.23     |
|               | 1600              | 0.25             | 0.29     |
|               | 1800              | 0.31             | 0.36     |
|               | 2000              | 0.40             | 0.44     |
|               | 2200              | 0.48             | 0.54     |
| <b>7EH60D</b> | 1400              | 0.12             | 0.16     |
|               | 1600              | 0.16             | 0.20     |
|               | 1800              | 0.20             | 0.24     |
|               | 2000              | 0.24             | 0.30     |
|               | 2200              | 0.29             | 0.36     |
|               | 2400              | 0.34             | 0.42     |

7EH-01

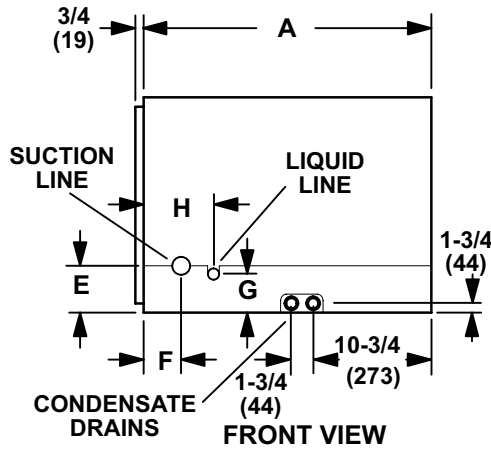
<sup>1</sup> Optional right-hand airflow requires a field fabricated 6 in. (152 mm) spacer in-between the furnace and coil.



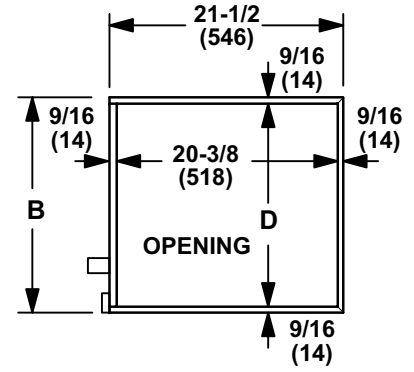
TOP VIEW



END VIEW



FRONT VIEW



END VIEW

| Model No. | A      |     | B      |     | C      |     | D      |     | E     |    | F     |    | G     |    | H     |     |
|-----------|--------|-----|--------|-----|--------|-----|--------|-----|-------|----|-------|----|-------|----|-------|-----|
|           | in.    | mm  | in.    | mm  | in.    | mm  | in.    | mm  | in.   | mm | in.   | mm | in.   | mm | in.   | mm  |
| 7EH18A    | 26-1/2 | 673 | 14-1/2 | 368 | 13     | 330 | 13-3/8 | 340 | 3-3/8 | 86 | 2-1/8 | 54 | 3-5/8 | 92 | 4-7/8 | 124 |
| 7EH24A    | 26-1/2 | 673 | 14-1/2 | 368 | 13     | 330 | 13-3/8 | 340 | 3-3/8 | 86 | 2-1/8 | 54 | 3-5/8 | 92 | 4-7/8 | 124 |
| 7EH24B    | 26-1/2 | 673 | 17-1/2 | 444 | 16     | 406 | 16-3/8 | 416 | 3-3/8 | 86 | 2-1/8 | 54 | 3-5/8 | 92 | 4-7/8 | 124 |
| 7EH30A    | 31-1/2 | 800 | 14-1/2 | 368 | 13     | 330 | 13-3/8 | 340 | 3-3/8 | 86 | 2-1/8 | 54 | 3-5/8 | 92 | 4-7/8 | 124 |
| 7EH30B    | 26-1/2 | 673 | 17-1/2 | 444 | 16     | 406 | 16-3/8 | 416 | 3-3/8 | 86 | 2-1/8 | 54 | 3-5/8 | 92 | 4-7/8 | 124 |
| 7EH36A    | 26-1/2 | 673 | 14-1/2 | 368 | 13     | 330 | 13-3/8 | 340 | 3-3/8 | 86 | 2-1/8 | 54 | 3-5/8 | 92 | 4-7/8 | 124 |
| 7EH36B    | 26-1/2 | 673 | 17-1/2 | 444 | 16     | 406 | 16-3/8 | 416 | 3-3/8 | 86 | 2-1/8 | 54 | 3-5/8 | 92 | 4-7/8 | 124 |
| 7EH36C    | 26-1/2 | 673 | 21     | 533 | 19-1/2 | 495 | 19-7/8 | 505 | 3-3/8 | 86 | 2-1/8 | 54 | 3-5/8 | 92 | 4-7/8 | 124 |
| 7EH42B    | 31-1/2 | 800 | 17-1/2 | 444 | 16     | 406 | 16-3/8 | 416 | 3-3/8 | 86 | 2-1/8 | 54 | 3-5/8 | 92 | 4-7/8 | 124 |
| 7EH42C    | 26-1/2 | 673 | 21     | 533 | 19-1/2 | 495 | 19-7/8 | 505 | 3-3/8 | 86 | 2-1/8 | 54 | 3-5/8 | 92 | 4-7/8 | 124 |
| 7EH48B    | 31-1/2 | 800 | 17-1/2 | 444 | 16     | 406 | 16-3/8 | 416 | 3-3/8 | 86 | 2-1/8 | 54 | 3-5/8 | 92 | 4-7/8 | 124 |
| 7EH48C    | 26-1/2 | 673 | 21     | 533 | 19-1/2 | 495 | 19-7/8 | 505 | 3-3/8 | 86 | 2-1/8 | 54 | 3-5/8 | 92 | 4-7/8 | 124 |
| 7EH51C    | 31-1/2 | 800 | 21     | 533 | 19-1/2 | 495 | 19-7/8 | 505 | 3-3/8 | 86 | 2-1/8 | 54 | 3-5/8 | 92 | 4-7/8 | 124 |
| 7EH60D    | 31-1/2 | 800 | 24-1/2 | 622 | 23     | 584 | 23-3/8 | 594 | 3-3/8 | 86 | 2-1/8 | 54 | 3-5/8 | 92 | 4-7/8 | 124 |

## 7ED-01

| SPECIFICATIONS                   |   | 1.5 TO 3 TON |         |           |           |
|----------------------------------|---|--------------|---------|-----------|-----------|
|                                  |   | 7ED24A       | 7ED24B  | 7ED30/36B | 7ED30/36C |
| <b>General Data</b>              | <b>Nominal size - tons</b>              | 2            | 2       | 2.5 / 3   | 2.5 / 3   |
| <b>Line Connections in. (mm)</b> | Suction / vapor o.d. - sweat            | 7/8          | 7/8     | 7/8       | 7/8       |
|                                  | Liquid o.d. - sweat                     | 3/8          | 3/8     | 3/8       | 3/8       |
|                                  | Condensate drain (fpt)                  | (2) 3/4      | (2) 3/4 | (2) 3/4   | (2) 3/4   |
| <b>Indoor Coil</b>               | Net face area sq. ft. (m <sup>2</sup> ) | 4.08         | 4.08    | 4.67      | 4.67      |
|                                  | Tube diameter - in. (mm)                | 3/8          | 3/8     | 3/8       | 3/8       |
|                                  | Number of rows                          | 3            | 3       | 3         | 3         |
|                                  | Fins per in. (m)                        | 14           | 14      | 14        | 14        |
| <b>Shipping Weight</b>           | lbs. (kg) 1 package                     | 44           | 51      | 52        | 60        |

| SPECIFICATIONS                   |   | 2.5 TO 5 TON |         |           |         |
|----------------------------------|---|--------------|---------|-----------|---------|
|                                  |   | 7ED42B       | 7ED48C  | 7ED50/60C | 7ED60D  |
| <b>General Data</b>              | Nominal size - tons                     | 3.5          | 4       | 4 / 5     | 5       |
| <b>Line Connections in. (mm)</b> | Suction / vapor o.d. - sweat            | 7/8          | 7/8     | 7/8       | 7/8     |
|                                  | Liquid o.d. - sweat                     | 3/8          | 3/8     | 3/8       | 3/8     |
|                                  | Condensate drain (fpt)                  | (2) 3/4      | (2) 3/4 | (2) 3/4   | (2) 3/4 |
| <b>Indoor Coil</b>               | Net face area sq. ft. (m <sup>2</sup> ) | 5.83         | 6.42    | 7.00      | 7.00    |
|                                  | Tube diameter - in. (mm)                | 3/8          | 3/8     | 3/8       | 3/8     |
|                                  | Number of rows                          | 3            | 3       | 3         | 3       |
|                                  | Fins per in. (m)                        | 14           | 14      | 14        | 14      |
| <b>Shipping Weight</b>           | lbs. (kg) 1 package                     | 65           | 69      | 71        | 75      |

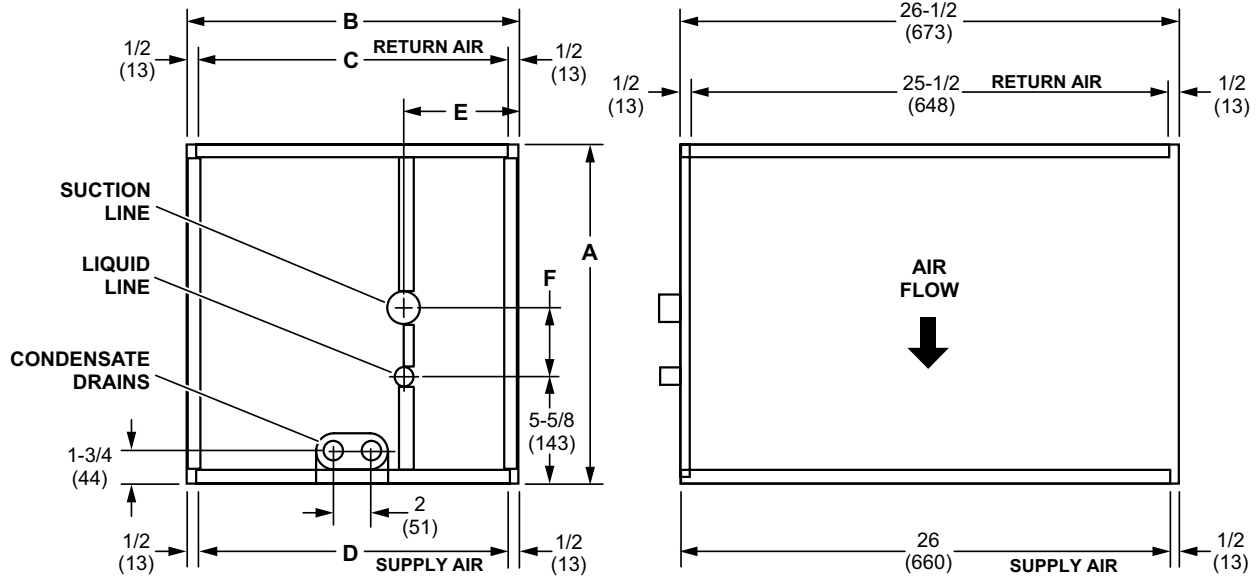
# 7ED-01

## AIR RESISTANCE

| Model No.        | Air Volume | Total Resistance |          |
|------------------|------------|------------------|----------|
|                  |            | Dry Coil         | Wet Coil |
|                  | cfm        | in. w.g.         | in. w.g. |
| <b>7ED24A</b>    | 400        | 0.08             | 0.09     |
|                  | 600        | 0.16             | 0.18     |
|                  | 800        | 0.29             | 0.33     |
|                  | 1000       | 0.45             | 0.49     |
| <b>7ED24B</b>    | 600        | 0.11             | 0.13     |
|                  | 800        | 0.18             | 0.19     |
|                  | 1000       | 0.27             | 0.29     |
|                  | 1200       | 0.35             | 0.39     |
|                  | 1400       | 0.47             | 0.51     |
| <b>7ED30/36B</b> | 600        | 0.1              | 0.12     |
|                  | 800        | 0.15             | 0.18     |
|                  | 1000       | 0.24             | 0.27     |
|                  | 1200       | 0.32             | 0.36     |
|                  | 1400       | 0.43             | 0.47     |
| <b>7ED30/36C</b> | 600        | 0.05             | 0.08     |
|                  | 800        | 0.09             | 0.12     |
|                  | 1000       | 0.13             | 0.17     |
|                  | 1200       | 0.17             | 0.23     |
|                  | 1400       | 0.24             | 0.30     |
| <b>7ED42B</b>    | 600        | 0.08             | 0.10     |
|                  | 800        | 0.12             | 0.14     |
|                  | 1000       | 0.18             | 0.22     |
|                  | 1200       | 0.25             | 0.30     |
|                  | 1400       | 0.34             | 0.39     |
|                  | 1600       | 0.43             | 0.49     |

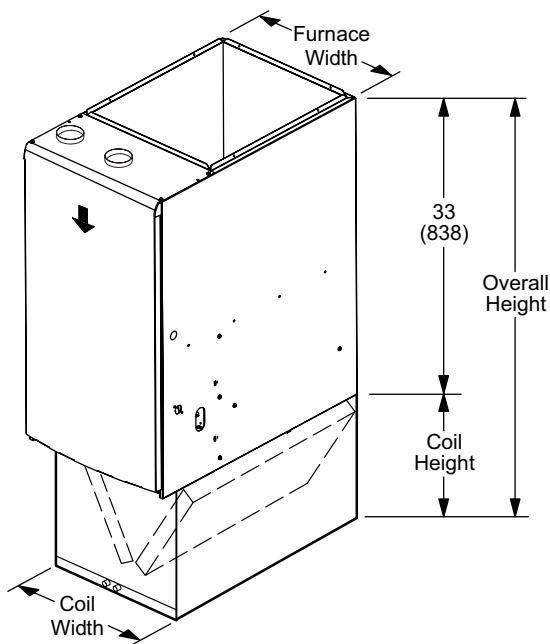
| Model No.        | Air Volume | Total Resistance |          |
|------------------|------------|------------------|----------|
|                  |            | Dry Coil         | Wet Coil |
|                  | cfm        | in. w.g.         | in. w.g. |
| <b>7ED48C</b>    | 800        | 0.09             | 0.10     |
|                  | 1000       | 0.11             | 0.13     |
|                  | 1200       | 0.15             | 0.18     |
|                  | 1400       | 0.21             | 0.23     |
|                  | 1600       | 0.26             | 0.30     |
|                  | 1800       | 0.34             | 0.37     |
|                  | 2000       | 0.4              | 0.44     |
| <b>7ED50/60C</b> | 800        | 0.09             | 0.11     |
|                  | 1000       | 0.12             | 0.14     |
|                  | 1200       | 0.16             | 0.20     |
|                  | 1400       | 0.22             | 0.24     |
|                  | 1600       | 0.27             | 0.32     |
|                  | 1800       | 0.33             | 0.38     |
| <b>7ED60D</b>    | 800        | 0.09             | 0.08     |
|                  | 1000       | 0.13             | 0.13     |
|                  | 1200       | 0.18             | 0.16     |
|                  | 1400       | 0.16             | 0.21     |
|                  | 1600       | 0.2              | 0.26     |
|                  | 1800       | 0.24             | 0.32     |
|                  | 2000       | 0.29             | 0.39     |

7ED-01



| Model Number | A (Height) |     | B (Width) |     | C      |     | D      |     | E     |     | F      |     |
|--------------|------------|-----|-----------|-----|--------|-----|--------|-----|-------|-----|--------|-----|
|              | in.        | mm  | in.       | mm  | in.    | mm  | in.    | mm  | in.   | mm  | in.    | mm  |
| 7ED24A       | 18         | 457 | 14 -1/2   | 368 | 13-1/2 | 343 | 13-1/2 | 343 | 4-5/8 | 117 | 3-5/8  | 92  |
| 7ED24B       | 18         | 457 | 17-1/2    | 445 | 16-1/2 | 419 | 16-1/2 | 419 | 6-1/8 | 155 | 3-5/8  | 92  |
| 7ED30/36B    | 23-1/2     | 597 | 17-1/2    | 445 | 16-1/2 | 419 | 16-1/2 | 419 | 6-1/8 | 155 | 4-3/4  | 121 |
| 7ED30/36C    | 23-1/2     | 597 | 21        | 533 | 20     | 508 | 20     | 508 | 7-7/8 | 200 | 4-3/4  | 121 |
| 7ED42B       | 23-1/2     | 597 | 17-1/2    | 445 | 16-1/2 | 419 | 16-1/2 | 419 | 6-1/8 | 155 | 6-3/8  | 162 |
| 7ED48C       | 27-1/2     | 699 | 21        | 533 | 20     | 508 | 20     | 508 | 7-7/8 | 200 | 8-5/8  | 219 |
| 7ED50/60C    | 27-1/2     | 699 | 21        | 533 | 20     | 508 | 20     | 508 | 7-7/8 | 200 | 10     | 254 |
| 7ED60D       | 27-1/2     | 699 | 24-1/2    | 622 | 23-1/2 | 597 | 23-1/2 | 597 | 9-5/8 | 244 | 10-1/2 | 267 |

**DIMENSIONS - FURNACE/COIL COMBINED DIMENSIONS**



| Model Number | Coil Width |     | Furnace Width |     | Coil Height |     | Overall Height |      |
|--------------|------------|-----|---------------|-----|-------------|-----|----------------|------|
|              | in.        | mm  | in.           | mm  | in.         | mm  | in.            | mm   |
| 7ED24A       | 14-1/2     | 368 | 14-1/2        | 368 | 18          | 457 | 51             | 1295 |
| 7ED24B       | 17-1/2     | 445 | 17-1/2        | 445 | 18          | 457 | 51             | 1295 |
| 7ED30/36B    | 17-1/2     | 445 | 17-1/2        | 445 | 23-1/2      | 597 | 56-1/2         | 1435 |
| 7ED30/36C    | 21         | 533 | 21            | 533 | 23-1/2      | 597 | 56-1/2         | 1435 |
| 7ED42B       | 17-1/2     | 445 | 17-1/2        | 445 | 23-1/2      | 597 | 56-1/2         | 1435 |
| 7ED48C       | 21         | 533 | 21            | 533 | 27-1/2      | 699 | 60-1/2         | 1537 |
| 7ED50/60C    | 21         | 533 | 21            | 533 | 27-1/2      | 699 | 60-1/2         | 1537 |
| 7ED60D       | 24-1/2     | 622 | 24-1/2        | 622 | 27-1/2      | 699 | 60-1/2         | 1537 |

**R454B ACCESSORIES**

| Description                       | Where Used        | Kit Number | Purpose   |
|-----------------------------------|-------------------|------------|---|
| R-454B Coil Sensor Conversion Kit | All               | 26Z69      | Prepares coil for conversion to R-454B refrigerant  |
| R-454B TXV Valve Kit              | 18/24, 24, 30     | 26Z70      | For use in coils that have been converted to R-454B refrigerant; TXVs provide superior refrigerant flow control, comfort and efficiency |
|                                   | 30/36, 36         | 26Z71      |   |
|                                   | 48, 49, 50/60, 60 | 26Z72      |   |

**NOTE** - R-454B Sensor Coil Conversion Kit (26Z69) is required for TXV substitution and must be ordered separately.

|                              |     |       |  |
|------------------------------|-----|-------|--|
| Refrigerant Detection System | All | 27A05 | Low GWP Detection System-Non-Communicating Control Board kit |
| Refrigerant Detection System | All | 27A06 | Low GWP Detection System-Communicating Control Board kit     |



1-800-448-5872

All specifications and illustrations subject to change without notice and without incurring obligations.