

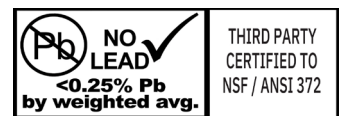
NO LEAD BRONZE INSERT FITTINGS

SPECIFICATIONS:

- Made from no lead bronze (C89833 or C89844)
- Threads conform to ANSI/ASME B1.20.1
- For use with ASTM D2239 polyethylene (PE) plastic pipe (Standard Specification for Polyethylene (PE) Pipe (SIDR-PR) Based on Controlled Inside Diameter)
- System operating pressures and temperatures are limited by the maximum operating pressures and temperatures of the ASTM D2239 PE plastic pipe. Always refer to the PE pipe manufacturer's pressure and temperature ratings.
- Insert fittings are intended for cold water applications including irrigation, well service, and potable water applications. These products are not to be used with compressed gases.
- Fittings must be protected from freezing temperatures where fluid expansion due to freezing could occur.

CERTIFICATION:

- NSF/ANSI Standard 372 Certified (Drinking Water System Components - Lead Content)



PRESSURE & TEMPERATURE RATINGS FOR BRONZE INSERT FITTINGS			
Temperature		Pressure	
°F	°C	PSI	bar
73.4	23	400	27.6
150	65.5	200	13.8
200	93.3	190	13.1
250	121.1	180	12.4
300	148.8	165	11.4
350	176.6	150	10.3
400	204.4	125	8.6

Pressure rating charts should be used as a guide only. For pressures over the stated maximum or temperatures over 73.4 °F (23 °C), independent testing by the end user is recommended. It is solely the user's responsibility to determine the suitability of the fitting for the intended service.



25 Whaley Avenue, PO Box 310, Milverton, ON CANADA N0K 1M0
Tel: 800-561-3164

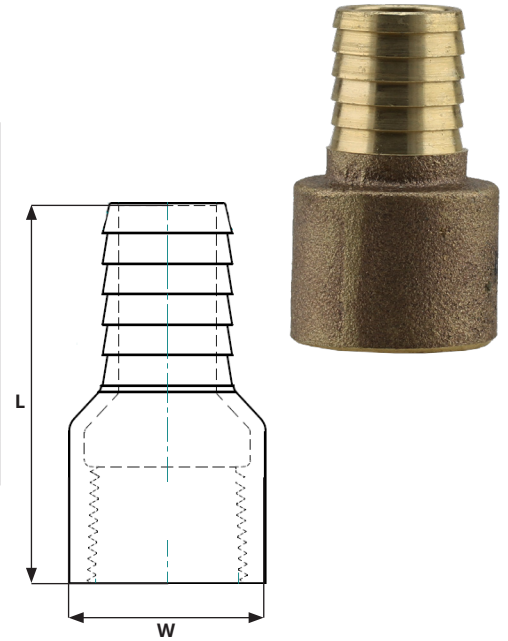
boshart.com ♦ blog.boshart.com

© 2020 Boshart Industries Inc. All Rights Reserved.

FA-NL SERIES - NL BRONZE ADAPTER

■ FPT x Poly Insert Barb

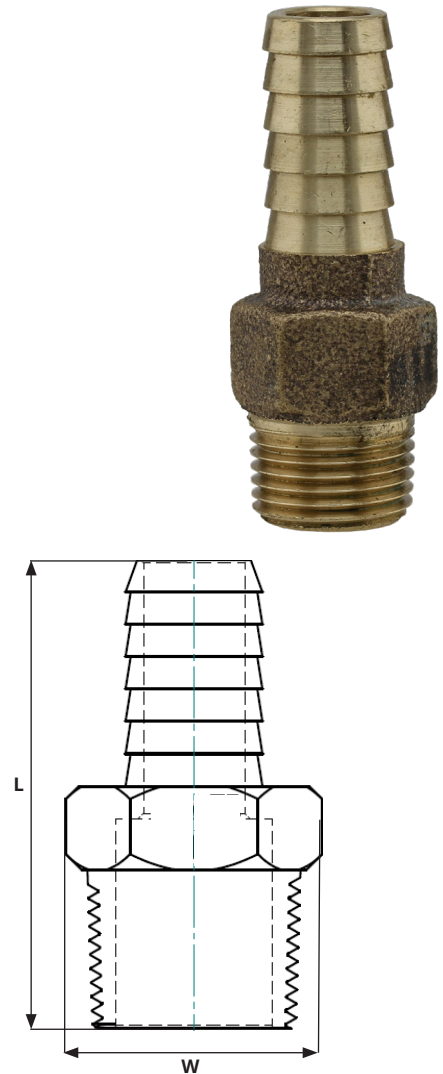
DIMENSIONS							
Part No.	Size (FPT x Poly)	No. of Barbs	W		L		Weight grams
			in	mm	in	mm	
FA-075NL	3/4"x3/4"	5	1.28	32.5	2.50	63.5	126.1
FA-100-125NL	1" x 1-1/4"	6	1.58	40.1	2.87	72.9	266.3
FA-100NL	1"x1"	5	1.58	40.1	2.66	67.6	229.5
FA-125NL	1-1/4"x1-1/4"	7	1.94	49.3	3.00	76.2	302.1
FA-150NL	1-1/2"x1-1/2"	6	2.19	55.6	2.85	72.4	360.2



BMA-NL SERIES - NL BRONZE ADAPTER

■ MPT x Poly Insert Barb

DIMENSIONS							
Part No.	Size (MPT x Poly)	No. of Barbs	W		L		Weight grams
			in	mm	in	mm	
BMA-050-075NL	1/2"x3/4"	6	0.90	22.9	2.58	65.5	93.4
BMA-050NL	1/2"x1/2"	5	0.88	22.4	2.56	65.0	73.9
BMA-075-050NL	3/4"x1/2"	6	1.16	29.5	2.73	69.3	125.2
BMA-075-100NL	3/4"x1"	7	1.20	30.5	2.86	72.6	126.5
BMA-075NL	3/4"x3/4"	6	1.07	27.2	2.50	63.5	88.9
BMA-100-075NL	1"x3/4"	6	1.37	34.8	2.90	73.7	182.8
BMA-100-125NL	1"x1-1/4"	7	1.45	36.8	3.20	81.3	266.7
BMA-100-150NL	1"x1-1/2"	7	1.70	43.2	3.26	82.8	317.5
BMA-100NL	1"x1"	7	1.34	34.0	2.95	74.9	201.4
BMA-125-100NL	1-1/4"x1"	7	1.68	42.7	3.18	80.8	265.8
BMA-125-150NL	1-1/4"x1-1/2"	7	1.71	43.4	3.20	81.3	306.6
BMA-125NL	1-1/4"x1-1/4"	7	1.67	42.4	3.24	82.3	298.0
BMA-150-125NL	1-1/2"x1-1/4"	7	1.95	49.5	3.16	80.3	355.6
BMA-150NL	1-1/2"x1-1/2"	7	1.94	49.3	3.20	81.3	373.3
BMA-200-150NL	2"x1-1/2"	7	2.40	61.0	3.20	81.3	478.5
BMA-200NL	2"x2"	7	2.44	62.0	3.20	81.3	528.9



BOSHART
INDUSTRIES

© 2020 Boshart Industries Inc. All Rights Reserved.

25 Whaley Avenue, PO Box 310, Milverton, ON CANADA N0K 1M0
Tel: 800-561-3164

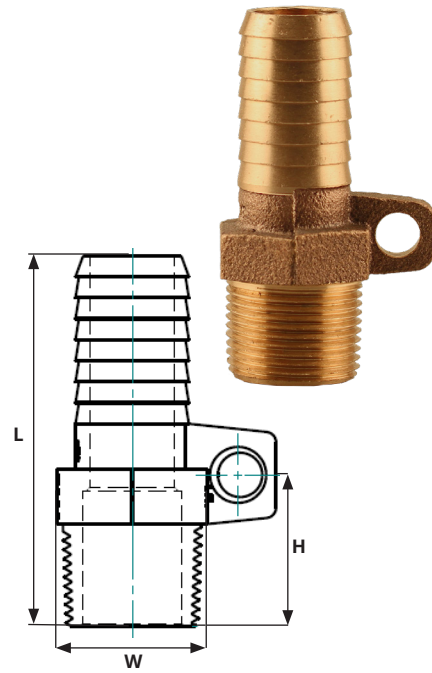
boshart.com ♦ blog.boshart.com

BII-FA-NL,BMA-NL-1123(81BF,81GIN,81P100)

BMA-ETNL SERIES - NL BRONZE EASY TIE ADAPTER

■ MPT x Poly Insert Barb

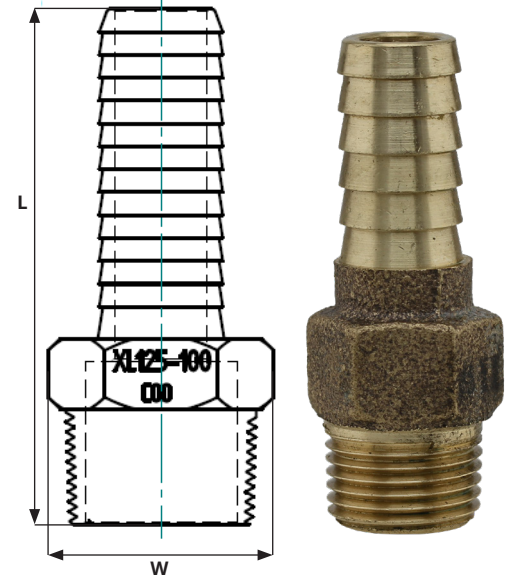
DIMENSIONS									
Part No.	Size (MPTxPoly)	No. of Barbs	W		L		H		Weight grams
			in	mm	in	mm	in	mm	
BMA-100-ETNL	1"x1"	7	1.42	36.1	3.53	89.7	1.44	36.6	273.5
BMA-125-ETNL	1-1/4"x1-1/4"	7	1.68	42.7	3.50	88.9	1.39	35.3	338.4
BMAXL-125-100ETNL	1-1/4"x1"	13	1.66	42.2	4.65	118.1	1.34	34.0	378.3



BMAXL-NL SERIES - NL BRONZE EXTRA LONG ADAPTER

■ MPT x Poly Insert Barb

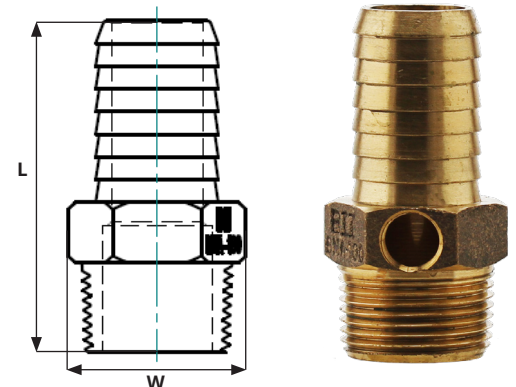
DIMENSIONS							
Part No.	Size (MPTxPoly)	No. of Barbs	W		L		Weight grams
			in	mm	in	mm	
BMAXL-100NL	1"x1"	13	1.36	34.5	4.48	113.8	290.8
BMAXL-125-100NL	1-1/4"x1"	13	1.70	43.2	4.50	114.3	345.2
BMAXL-125NL	1-1/4"x1-1/4"	13	1.70	43.2	4.53	115.1	310.7
BMAXL-150NL	1-1/2"x1-1/2"	13	1.95	49.5	4.43	112.5	495.3
BMAXL-200NL	2"x2"	13	2.40	61.0	4.40	111.8	681.7



BMA-TNL SERIES - NL BRONZE TAPPED ADAPTER

■ MPT x Poly Insert Barb

DIMENSIONS							
Part No.	Size (MPTxPoly)	No. of Barbs	W		L		Weight grams
			in	mm	in	mm	
BMA-100-TNL	1"x1"	7	1.35	34.3	2.92	74.2	196.0



BOSHART
INDUSTRIES

© 2020 Boshart Industries Inc. All Rights Reserved.

25 Whaley Avenue, PO Box 310, Milverton, ON CANADA N0K 1M0
Tel: 800-561-3164

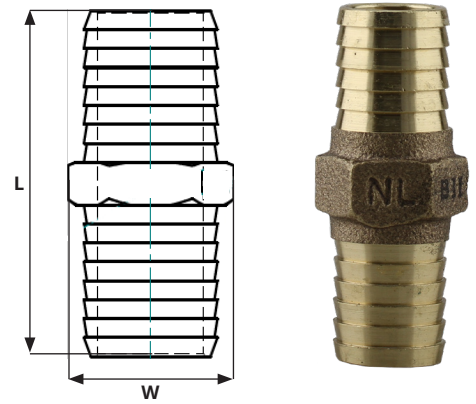
boshart.com ♦ blog.boshart.com

BII-BMA-ETNL, BMAXL-NL, BMA-TNL-1123(81P100)

C-NL SERIES - NL BRONZE COUPLING

- Poly Insert Barb x Poly Insert Barb

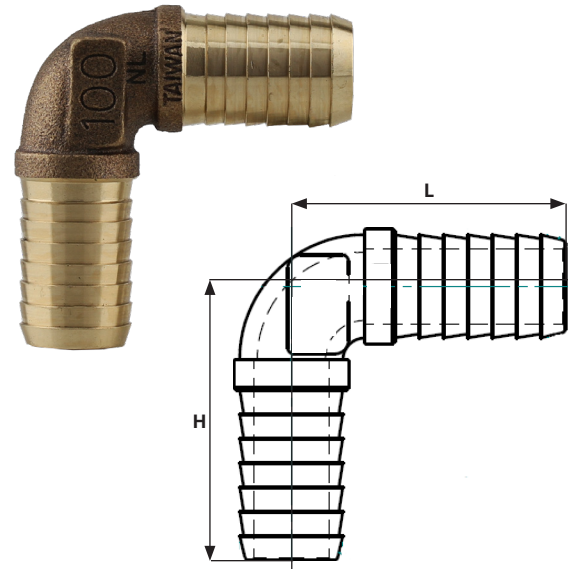
DIMENSIONS							
Part No.	Size (PolyxPoly)	No. of Barbs	W		L		Weight grams
			in	mm	in	mm	
C-075NL	3/4"x3/4"	4	0.95	24.1	2.88	73.2	98.9
C-100NL	1"x1"	5	1.25	31.8	3.37	85.6	177.8
C-125NL	1-1/4"x1-1/4"	6	1.53	38.9	3.72	94.5	277.1



ELB-NL SERIES - NL BRONZE 90° ELBOW

- Poly Insert Barb x Poly Insert Barb
- Smooth sweep channel minimizes friction loss ensuring high flow rates and pumping efficiency

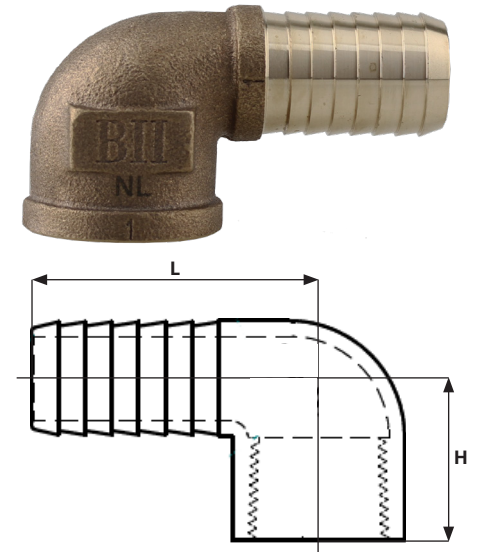
DIMENSIONS							
Part No.	Size (PolyxPoly)	No. of Barbs	L		H		Weight grams
			in	mm	in	mm	
ELB-075NL	3/4"x3/4"	6	2.25	57.2	2.25	57.2	165.5
ELB-100NL	1"x1"	6	2.60	66.0	2.60	66.0	276.7
ELB-125NL	1-1/4"x1-1/4"	6	2.84	72.1	2.84	72.1	420.0



BFE-NL SERIES - NL BRONZE 90° ELBOW

- FPT x Poly Insert Barb
- Smooth sweep channel minimizes friction loss ensuring high flow rates and pumping efficiency

DIMENSIONS							
Part No.	Size (FPTxPoly)	No. of Barbs	L		H		Weight grams
			in	mm	in	mm	
BFE-075NL	3/4"x3/4"	6	2.38	60.5	1.21	30.7	186.4
BFE-100NL	1"x1"	7	2.79	70.9	1.47	37.3	315.2
BFE-125NL	1-1/4"x1-1/4"	7	2.95	74.9	1.65	41.9	443.6



BOSHART
INDUSTRIES

© 2020 Boshart Industries Inc. All Rights Reserved.

25 Whaley Avenue, PO Box 310, Milverton, ON CANADA N0K 1M0
Tel: 800-561-3164

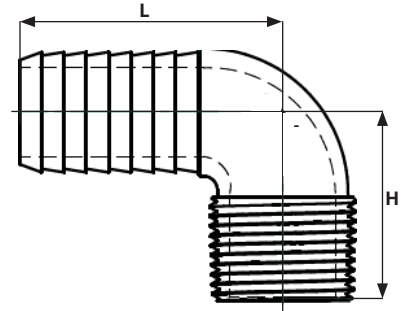
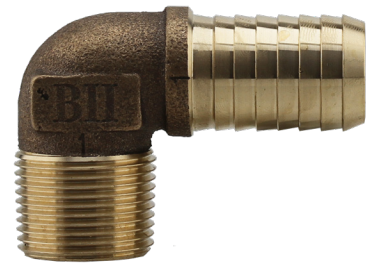
boshart.com ♦ blog.boshart.com

BII-C-NL,ELB-NL,BFE-NL-1123(81BF,81GIN)

BME-NL SERIES - NL BRONZE 90° ELBOW

- MPT x Poly Insert Barb
- Smooth sweep channel minimizes friction loss ensuring high flow rates and pumping efficiency

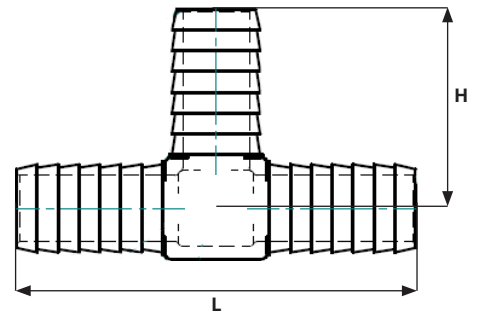
DIMENSIONS							
Part No.	Size (MPTxPoly)	No. of Barbs	L		H		Weight grams
			in	mm	in	mm	
BME-075-100NL	3/4"x1"	7	2.53	64.3	1.48	37.6	199.6
BME-075NL	3/4"x3/4"	6	2.35	59.7	1.46	37.1	154.7
BME-100NL	1"x1"	7	2.65	67.3	1.70	43.2	254.5
BME-125NL	1-1/4"x1-1/4"	7	2.89	73.4	2.00	50.8	381.9
BME-150NL	1-1/2"x1-1/2"	7	3.00	76.2	2.05	52.1	510.3



TE-NL SERIES - NL BRONZE TEE

- Poly Insert Barb x Poly Insert Barb x Poly Insert Barb

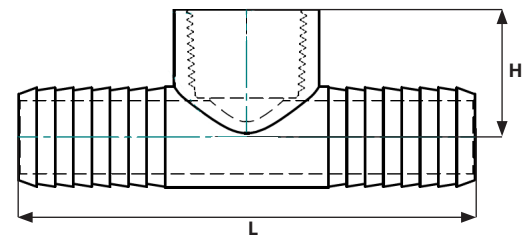
DIMENSIONS							
Part No.	Size (PolyxPoly xPoly)	No. of Barbs	L		H		Weight grams
			in	mm	in	mm	
TE-075NL	3/4"x3/4" x3/4"	5	3.84	97.5	1.92	48.8	179.2
TE-100NL	1"x1"x1"	6	4.40	111.8	2.18	55.4	303.5
TE-125NL	1-1/4"x1-1/4" x1-1/4"	6	4.86	123.4	2.43	61.7	453.1



BFT-NL SERIES - NL BRONZE TEE

- Poly Insert Barb x Poly Insert Barb x FPT

DIMENSIONS							
Part No.	Size (PolyxPolyxFPT)	No. of Barbs	L		H		Weight grams
			in	mm	in	mm	
BFT-075-100NL	1"x1"x3/4"	7	5.50	139.7	1.13	28.7	301.2
BFT-075NL	3/4"x3/4"x3/4"	6	4.28	108.7	1.00	25.4	186.4
BFT-100NL	1"x1"x1"	7	4.98	126.5	1.38	35.1	386.0
BFT-125NL	1-1/4"x1-1/4" x1-1/4"	7	5.34	135.6	1.57	39.9	570.2



For more information on installation, adjustment, repair & operation, visit Boshart Knowledge Base at

SUPPORT.BOSHART.COM



BOSHART
INDUSTRIES

© 2020 Boshart Industries Inc. All Rights Reserved.

25 Whaley Avenue, PO Box 310, Milverton, ON CANADA N0K 1M0
Tel: 800-561-3164

boshart.com ♦ blog.boshart.com

BII-BME-NL,TE-NL,BFT-NL-1123(81GIN,81BF)