

THIS SPACE FOR DESIGNER/ENGINEER APPROVAL

| | | |
|-------------------------|------------|------------------------|
| Job/Customer _____ | Date _____ | Contractor _____ |
| Model Specified _____ | Qty _____ | Approved By _____ |
| Designer/Engineer _____ | Date _____ | Contractor's PO# _____ |
| Submitted by _____ | Date _____ | Other _____ |

4040 Series
Full Port Forged Brass
Uni-Flange Ball Valves w/ Nuts & Bolts
IPS x Flange
600 WOG – ISO 9001

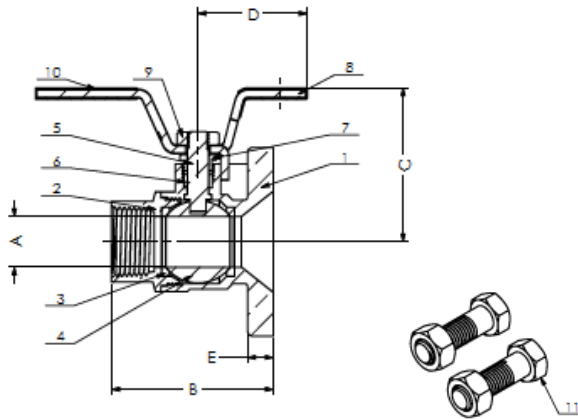
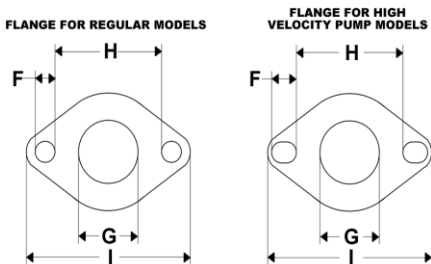


| ITEM # | SIZE | CTN | CASE | A | B | C | D | E | F | G | H | I |
|--|--------|-----|------|-------|---------|---------|-------|-----|-----|-------|---------|-------|
| 40402 | 1/2" | 1 | 20 | 1/2 | 2 1/4 | 1 7/8 | 1 5/8 | 3/8 | 1/2 | 1 1/2 | 2 11/16 | 4 1/8 |
| 40403 | 3/4" | 1 | 20 | 3/4 | 2 3/8 | 2 1/16 | 1 5/8 | 3/8 | 1/2 | 1 1/2 | 2 11/16 | 4 1/8 |
| 40404 | 1" | 1 | 20 | 1 | 2 11/16 | 2 1/2 | 1 5/8 | 3/8 | 1/2 | 1 1/2 | 2 11/16 | 4 1/8 |
| 40405 | 1 1/4" | 1 | 20 | 1 1/4 | 2 7/8 | 2 3/8 | 2 3/8 | 3/8 | 1/2 | 1 1/2 | 2 11/16 | 4 1/8 |
| 40406 | 1 1/2" | 1 | 20 | 1 1/2 | 4 | 3 3/8 | 2 3/8 | 3/8 | 1/2 | 1 1/2 | 2 11/16 | 4 1/8 |
| HV MODELS FIT BOTH STANDARD & HIGH VELOCITY PUMPS | | | | | | | | | | | | |
| 40404HV | 1" | 1 | 20 | 1 | 2 11/16 | 2 1/2 | 1 5/8 | 3/8 | 5/8 | 1 1/2 | 2 11/16 | 4 1/8 |
| 40405HV | 1 1/4" | 1 | 20 | 1 1/4 | 2 7/8 | 2 13/16 | 2 3/8 | 3/8 | 5/8 | 1 1/2 | 2 11/16 | 4 1/8 |
| 40406HV | 1 1/2" | 1 | 20 | 1 1/2 | 4 | 3 3/8 | 2 3/8 | 3/8 | 5/8 | 1 1/2 | 2 11/16 | 4 1/8 |
| 40407HV | 2" | 1 | 10 | 2 | 4 7/16 | 3 3/4 | 2 3/8 | 3/8 | 5/8 | 1 1/2 | 2 11/16 | 4 1/8 |



| NO. | DESCRIPTION | MATERIAL |
|-----|---------------------|---------------------|
| 1 | FLANGED BODY | BRASS |
| 2 | END CAP | BRASS |
| 3 | SEATS | PTFE |
| 4 | BALL | BRASS CHROME PLATED |
| 5 | STEM | BRASS |
| 6 | STEM SEAL | PTFE |
| 7 | PACKING GLAND | BRASS |
| 8 | LEVER HANDLE | STEEL CHROME PLATED |
| 9 | HANDLE NUT | STAINLESS STEEL |
| 10 | HANDLE JACKET | VINYL |
| 11 | FLANGE BOLTS & NUTS | STEEL ZINC PLATED |

| TEMP | PSI |
|------|-----|
| 100 | 600 |
| 150 | 490 |
| 200 | 470 |
| 250 | 439 |
| 300 | 411 |
| 350 | 294 |
| 366 | N/A |



Specifications: Designed for residential, commercial or industrial use with water or a glycol mixture. This approved Webstone valve is actuated by a blowout proof stem and features an adjustable packing gland. Flange features a conical inlet to minimize turbulence. Threaded ends comply with ANSI B1.20.1.



Quality and Commitment Since 1954

www.webstonevalves.com • P: (800) 225-9529 • F: (800) 336-5133

Webstone product specifications in U.S. customary units are approximate and are provided for reference only. Webstone reserves the right to change or modify product design, construction, specifications or materials without prior notice and without incurring any obligation to make such changes and modifications on Webstone products previously or subsequently sold.