

Features

- Dual-function wand provides ambient water for front and rear cleansing
- Convenient side lever handle allows for water pressure adjustment
- Self-cleaning wand automatically rinses after each use
- Manually-operated handle requires no batteries or electrical power
- Quiet-Close™ elongated lid and seat prevents slamming
- Quick-Release™ functionality allows seat to be removed easily from toilet for convenient cleaning
- Grip-Tight bumpers hold seat firmly in place
- Ergonomically contoured seat for user comfort
- Fits most elongated toilets

Material

- Plastic construction

Installation

- Requires connection to toilet water supply line. All hoses and connections are included

Recommended Products/Accessories

- K-3999 Two-piece elongated toilet, 1.28 gpf
- K-3999-RA Two-piece elongated toilet, 1.28 gpf
- K-31621 Two-piece elongated toilet, 1.28 gpf
- K-31621-RA Two-piece elongated toilet, 1.28 gpf



Codes/Standards

ASME A112.4.2/CSA B45.16


KOHLER® One-Year Limited Warranty

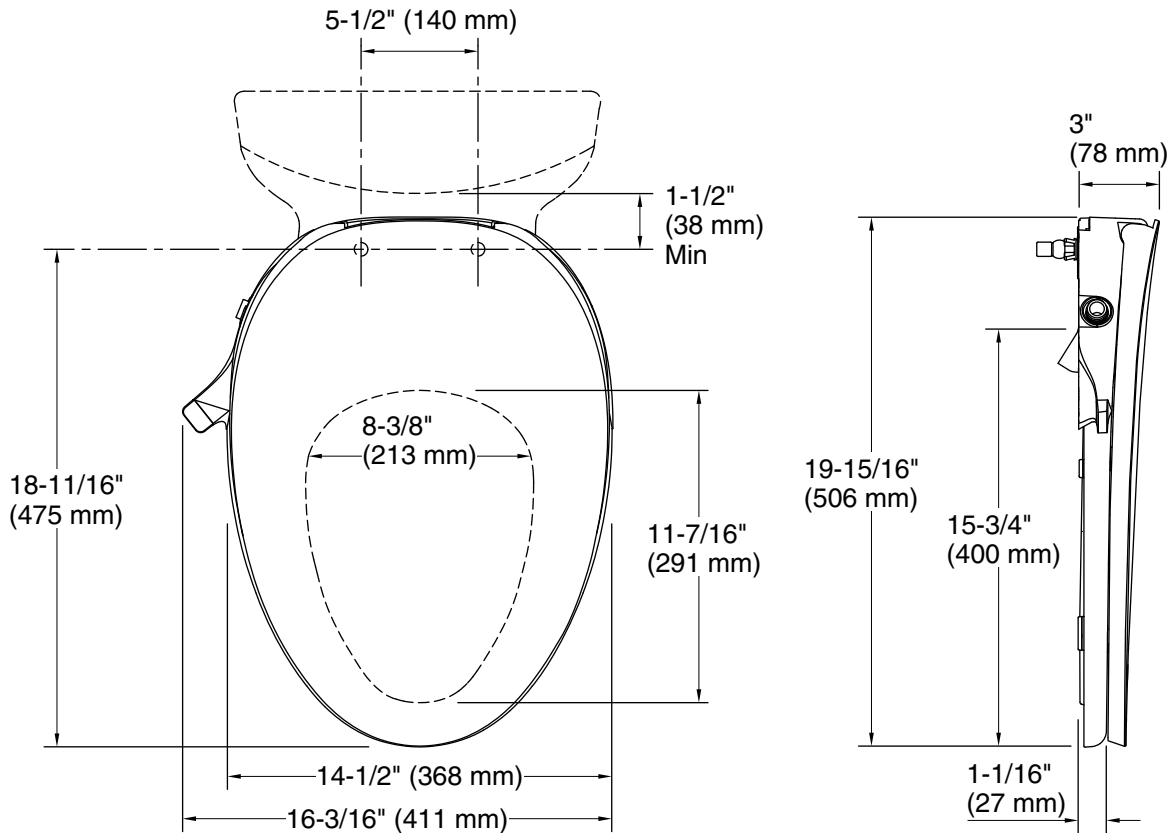
See website for detailed warranty information.

Available Colors/Finishes

Color tiles intended for reference only.

Color	Code	Description
-------	------	-------------

	0	White
---	---	-------



Technical Information

All product dimensions are nominal.

Seat shape type: Elongated
 Seat front type: Closed-front
 Seat-mounting holes: 5-1/2" (140 mm)

Notes

Install this product according to the installation instructions.

WARNING: Risk of scalding. High water temperature can cause severe burns. Do not connect this device to a water supply with a maximum temperature above 104°F (40°C).

Only connect the seat to a cold water supply of drinking quality water at a pressure of 20 (139 kPa) - 80 psi (551 kPa).