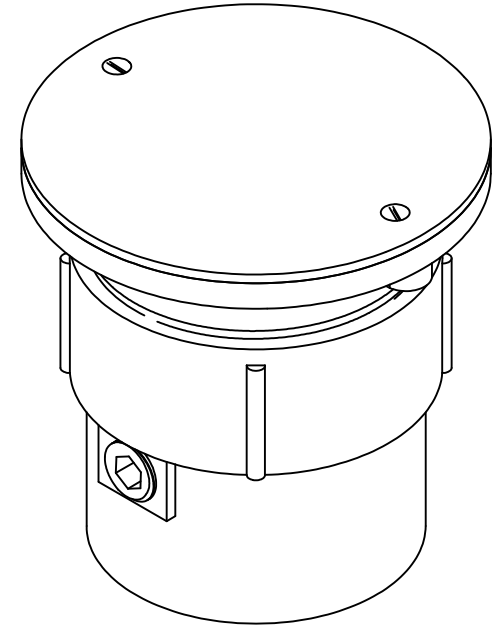
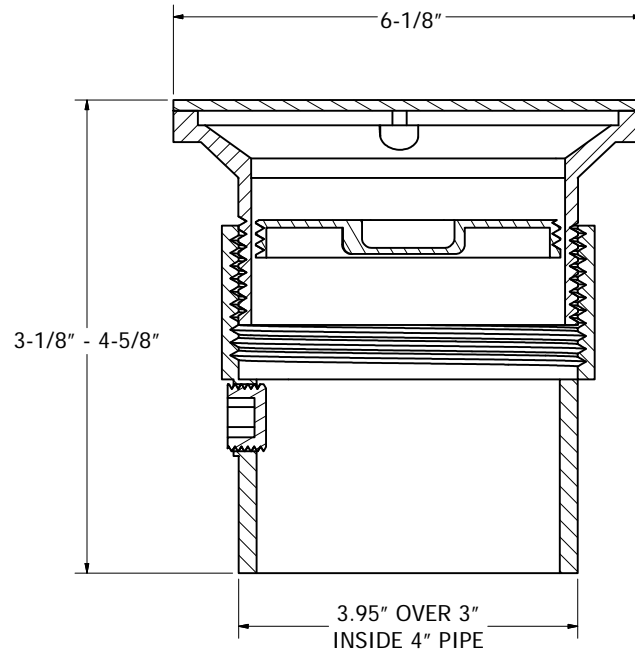
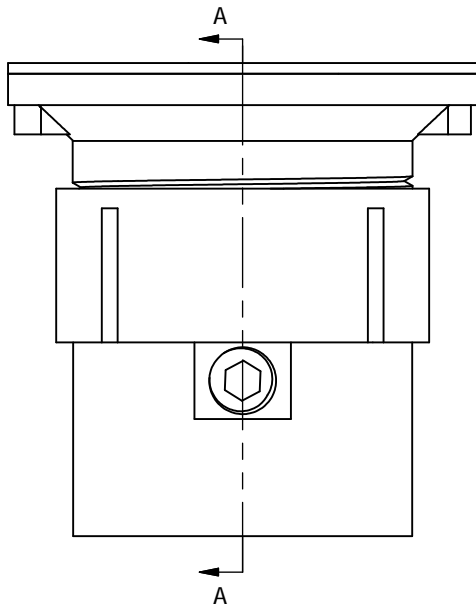
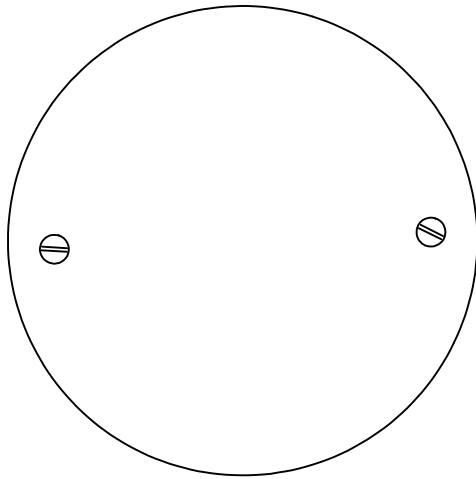


3" X 4" PIPE FIT BASE WITH 3-1/2" PLASTIC SPUDS 5" ROUND COVER FITS OVER 3" OR INSIDE 4" SCHEDULE 40 DWV PIPE



SECTION A-A  
SCALE .8 : 1



PHONE NUMBER  
**1-800-355-6637**  
FAX NUMBER  
**1-800-462-6991**  
SCALE .8 : 1 DATE 2-04-11  
SHEET 1 OF 1  
DRAWN BY ASHLEY KRALOVEC

PART NO.	C59010	C59011	C59012	C59013				
COVER	6" PB	6" PB	6" NB	6" NB				
MATERIAL	PVC	ABS	PVC	ABS				