

# Stainless Steel Sink Basket Strainer

## Product Features

- Fit 3 1/2" to 4" Opening
- Polished Stainless Steel Body and Basket
- Deep Locking Cup
- Rubber Stopper w/Fixed Plastic Post
- Brass Nuts

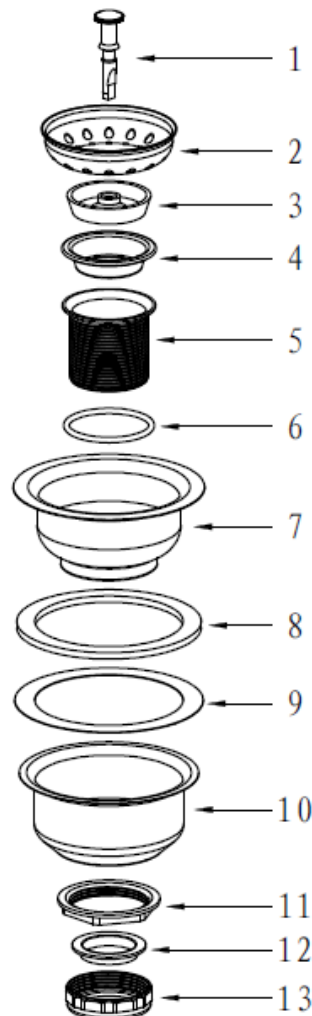
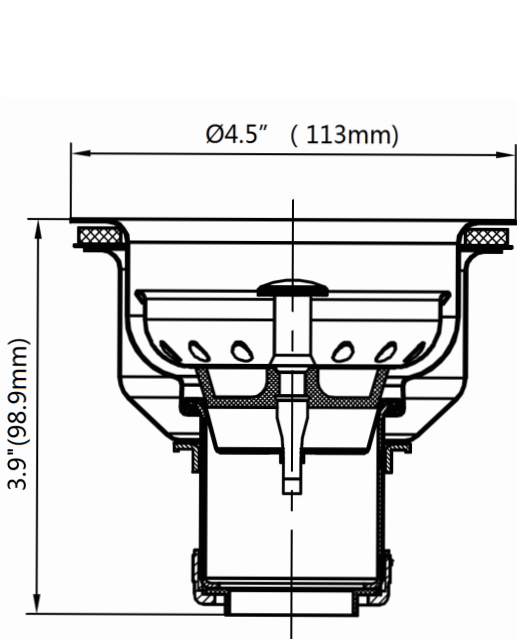


4PROFPBS

## Model Numbers

4PROFPBS

4 1/2" Deep Locking Cup SS Strainer w/Fixed Post



NO.	PART	MATERIAL
1	POST	ABS
2	BASKET	SS430
3	STOPPER	RUBBER
4	BASKET	SS430
5	CONNECTION TUBE	SS430
6	O-RING	RUBBER
7	BODY	SS430
8	WASHER	RUBBER
9	WASHER	FIBER
10	CUP	GALVANIZED STEEL
11	LOCK NUT	BRASS
12	WASHER	LDPE
13	SLIP NUT	BRASS

Job Name	
Date	
Model Specified	
Quantity	
Customer	
Contractor	
Architect/engineer	

# Stainless Steel Sink Basket Strainer

## Product Features

- Fit 3 1/2" to 4" Opening
- Polished Stainless Steel Body and Basket
- Deep Locking Cup
- Rubber Stopper w/Ball Locking Brass Post
- Brass Nuts

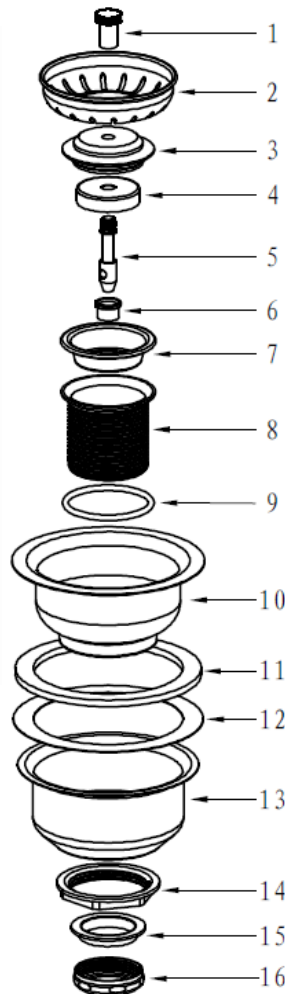
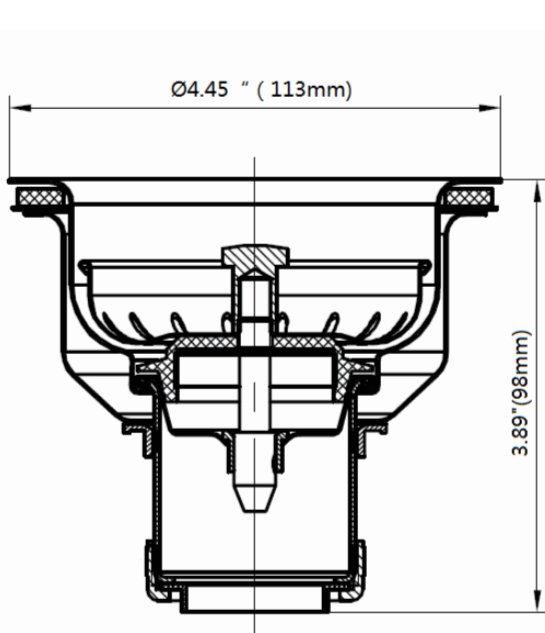


4PROBLBS

## Model Numbers

4PROBLBS

4 1/2" Deep Locking Cup SS Strainer w/Ball Locking



NO.	PART	MATERIAL
1	POST	BRASS
2	BASKET	SS430
3	STOPPER	RUBBER
4	GASKET	SS430
5	ROD	BRASS
6	GASKET	BRASS
7	BASKET	SS430
8	SHANK	SS430
9	O RING	RUBBER
10	BODY	SS430
11	GASKET	RUBBER
12	WASHER	FIBER
13	CUP	GALVANIZED STEEL
14	LOCK NUT	BRASS
15	WASHER	LDPE
16	SLIP NUT	BRASS

Job Name	
Date	
Model Specified	
Quantity	
Customer	
Contractor	
Architect/engineer	