



# McAllister®

## Under-Mount Kitchen Sink

### 24738

#### Features

- Under-mount
- No faucet holes to accommodate either wall-mount or countertop faucets
- 5-15/16"-deep single bowl
- 3-3/4" drain opening
- Stainless steel with a luster finish
- SilentShield technology
- 18-gauge stainless steel
- Lifetime limited warranty
- ADA-adaptable when installed per the requirements of the Accessibility Guidelines, Section 606 Sinks, of the Act

#### Optional Products/Accessories

7400 Sink Strainer



ADA

#### Codes/Standards

ASME A112.19.3/CSA B45.4

ADA

ICC/ANSI A117.1

#### STERLING® Warranty - Stainless Steel Sinks

See website for detailed warranty information.

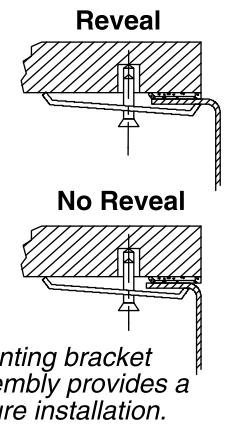
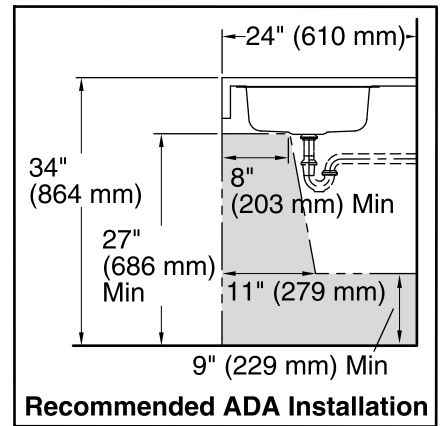
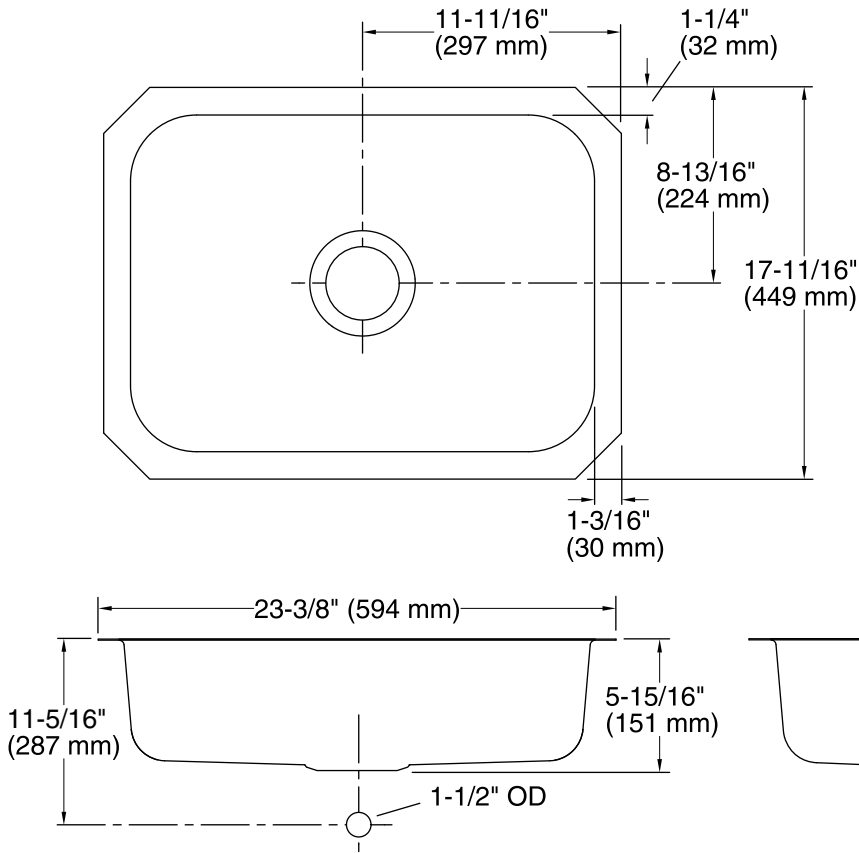
---

1-800-STERLING (1-800-783-7546)

Kohler Co. reserves the right to make revisions without notice to product specifications.

For the most current Specification Sheet, go to [www.sterlingplumbing.com](http://www.sterlingplumbing.com).

3-18-2019 06:41 - US



**Technical Information**

All product dimensions are nominal.

- Bowl configuration: Single
- Installation: Under-mount
- Bowl area (Only): Length: 21" (533 mm)  
Width: 15-1/4" (387 mm)  
Bowl depth: 5-5/8" (143 mm)  
Water depth: 5-5/8" (143 mm)
- Template: 1064257-7, required, included

**Notes**

Install this product according to the installation instructions.

ADA compliant when installed to the specific requirements of these regulations.