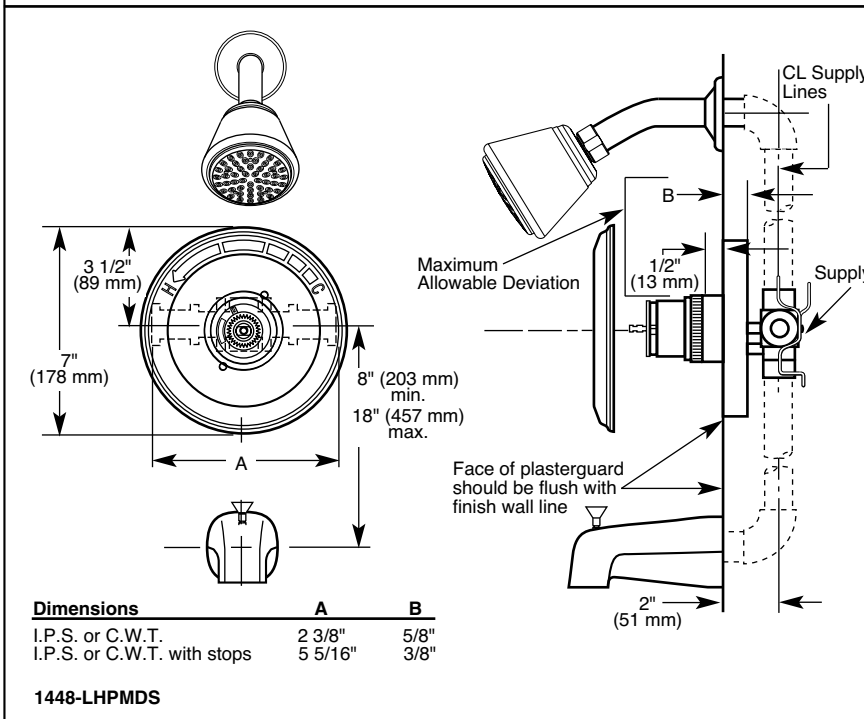
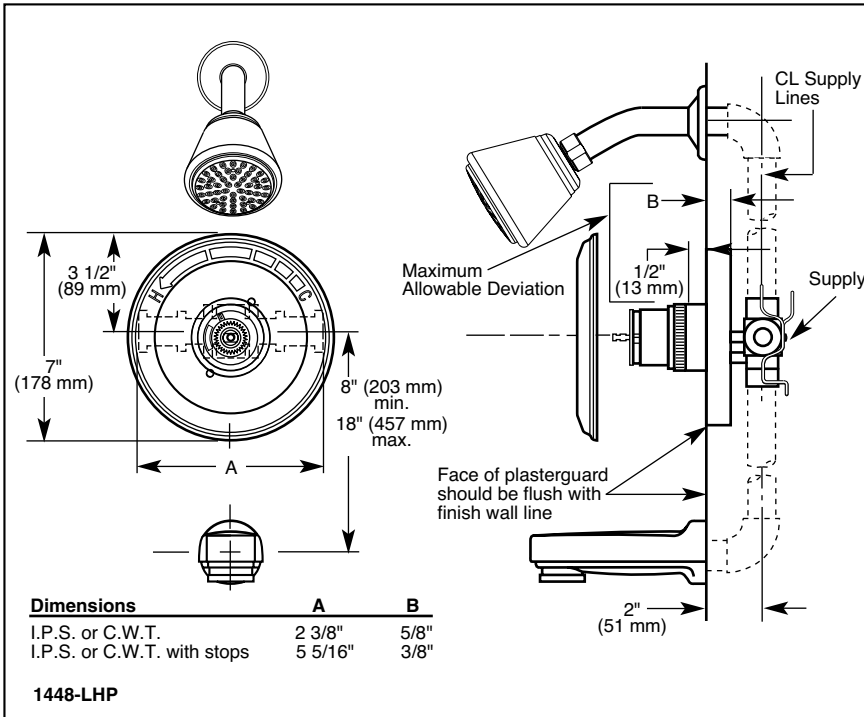


Submitted Model No.: _____

Specific Features: _____



DELTA[®]

BATH MIXING VALVES

- Tub/Shower
- Single Handle
- LHP-Less Handle Program
- Monitor[®] with Scald-Guard[®] Valve
- Pressure Balance
- Temperature Only Controlled with Handle



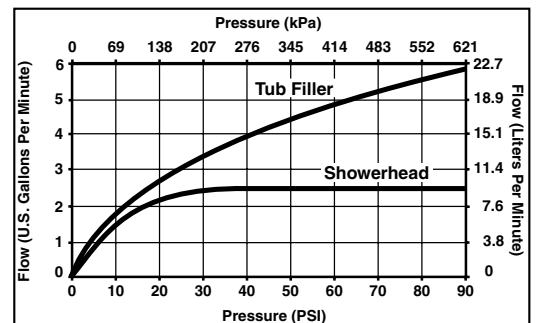
UL Listed to US and Canadian Safety Standards 21PL

COMPLIES WITH:

- ASME A112.18.1M-1996
- ASSE 1016-1996
- CSA B125-93
- Indicates ADA compliance to CABO/ANSI A117.1-1992
- Showerhead GSA A-A-240
- ASSE Seal Authorized
- City of L.A. approved
- CSA Certified
- IAPMO Listed

STANDARD SPECIFICATIONS:

- Pressure balanced single handle bath mixing valve.
- Requires 1 1/2" (38 mm) wall cavity.
- Back-to-back installation capability.
- Solid brass fabricated body.
- LHP-Less Handle Program. See available handle options on back.
- Monitor[®] with Scald-Guard[®] valve. Maintains a balanced pressure of hot and cold water even when a valve is turned on or off elsewhere in the system.
- Temperature only controlled with handle.
- Field adjustable to limit handle rotation into hot water zone.
- 120° maximum handle rotation.
- All parts shall be replaceable from the front of the valve.



Standard Features	Handle Options																		
	1448-ABLHP	1448-CABLHP	1448-CBLHP	1448-CBBLHP	1448-CGBWSLHP	1448-CLHP	1448-CLHPMDS	1448-CPBLHP	1448-CPBLHPMDS	1448-CPBWSLHP	1448-CWHLHP	1448-CWPLHP	1448-CWSLHP	1448-LHP	1448-LHPMDS	1448-PBLHP	1448-PBLHPMDS	1448-WCLHP	1448-WHLHP
Washerless	◆	◆	◆	◆	◆	◆	◆	◆	◆	◆	◆	◆	◆	◆	◆	◆	◆	◆	◆
1/2" I.P.S. Inlets and Outlets	◆													◆	◆	◆	◆	◆	◆
1/2" C.W.T. Sweat Inlets and Outlets		◆	◆	◆	◆	◆	◆	◆	◆	◆	◆	◆	◆						
Less Handle Program- See Handle Kit Options*	◆	◆	◆	◆	◆	◆	◆	◆	◆	◆	◆	◆	◆	◆	◆	◆	◆	◆	◆
Metal Shower Arm and Flange	◆	◆	◆	◆	◆	◆	◆	◆	◆	◆	◆	◆	◆	◆	◆	◆	◆	◆	◆
Non-Metallic Touch-Clean® Showerhead/1 Spray Pattern	◆	◆	◆	◆	◆	◆	◆	◆	◆	◆	◆	◆	◆	◆	◆	◆	◆	◆	◆
Non-Metallic Tub Filler w/Pull-Down Diverter			◆	◆	◆	◆		◆	◆	◆	◆	◆	◆			◆			
Metal Tub Filler w/Pull-Down Diverter	◆	◆									◆	◆						◆	◆
Metal Tub Filler w/Pull-Up Diverter							◆		◆				◆			◆			
Screwdriver Stops					◆				◆				◆						
Antique Brass	◆	◆																	
Chrome Finish						◆	◆						◆	◆					
Chrome and <i>Brilliance</i> ™ Polished Brass Finish			◆	◆	◆														
<i>Brilliance</i> ™ Polished Brass Finish								◆	◆	◆						◆	◆		
White and Chrome Finish																		◆	
White Finish											◆								◆
White and <i>Brilliance</i> ™ Polished Brass Finish												◆							◆

RP5836
RP17453
RP17454▲
RP19581PB

RP5834
RP7533▲

RP19820

RP5833▲
RP5835

Available Options for Field Conversion: ▲=Specify Finish

- Screwdriver Stops. Order two RP5876s for I.P.S. or two RP6005s for C.W.T.
- Shower Arm. Order RP6023▲.
- Shower Flange. Order RP6025▲.
- Non-Metallic Push Clean™ showerhead/1 spray pattern. Order RP28599▲.
- Non-Metallic Dual Spray Touch-Clean® showerhead/2 spray patterns. Order RP28601▲.
- Non-Metallic Ultimate Touch-Clean® showerhead/3 spray patterns. Order 28602▲.
- Brass shower arm diverter for hand shower. Order RP4239 (chrome only).
- Personal hand shower with 24" vertical bar, 60" hose. Order RP7245 (chrome only).
- Personal hand shower with 24" vertical bar, 60" hose, vacuum breaker and wall supply elbow. Order RPW1111HDF (chrome only).
- Personal hand shower with 60" hose, vacuum breaker and wall supply elbow. Order RPW2222HDF (chrome only).
- Metallic tub filler with pull-down diverter for 1/2" C.W.T. or 1/2" I.P.S. Order RP17454▲.
- Non-metallic tub filler with pull-down diverter for 1/2" C.W.T. or 1/2" I.P.S. Order RP17453 (chrome only).
- Non-metallic slip-on tub filler with pull-down diverter for 1/2" C.W.T. Order RP5836 (chrome only).
- Metallic slip-on tub filler with pull-down diverter for 1/2" C.W.T. Order RP19581PB (*Brilliance*™ polished brass only).
- Metallic tub filler with pull-up diverter for 1/2" C.W.T. or 1/2" I.P.S. Order RP7533▲.
- Non-metallic tub filler with pull-up diverter for 1/2" C.W.T. or 1/2" I.P.S. Order RP5834 (chrome only).
- Non-metallic slip-on tub filler with pull-up diverter for 1/2" C.W.T. Order RP19820 (chrome only).
- Metallic over-the-rim tub filler for 1/2" I.P.S. Order RP5833▲.
- Metallic over-the-rim slip-on tub filler for 1/2" C.W.T. Order RP5835 (chrome only).
- Bath waste assemblies and bath accessories also available separately.

***Available LHP Handle Options**

H71▲ 1 1/2" (38 mm)	H72▲ A72 2 3/8" (60 mm)	H73▲ A73 1 1/8" (29 mm)	H74▲ A74 3 1/4" (83 mm)
H75▲ 2 1/2" (64 mm)	H77▲ 1 5/8" (41 mm)	H78 2 1/4" (57 mm)	H79▲ 3 3/8" (86 mm)

RP28599▲ Push-Clean™ Showerhead

RP28600▲ Touch-Clean® Showerhead

RP28601▲ Dual Spray Touch-Clean® Showerhead

RP28602▲ Ultimate Touch-Clean® Showerhead

Full Spray
 Massage Spray
 Soft Aerated Spray

***Available LHP Handle Accent Options**

A72CL	A74, A74AL, A74PB, A74WH
A72, A72AL, A72PB, A72PR, A72WH	A73, A73PB, A73WH
A72OK	A73ST
A74CL	



Indianapolis, Indiana 46280
A Division of Masco Corporation of Indiana
© 2001 Masco Corporation of Indiana