

tekmar® Submittal

tekmarNet® 2 Zone Manager 334



Zoning

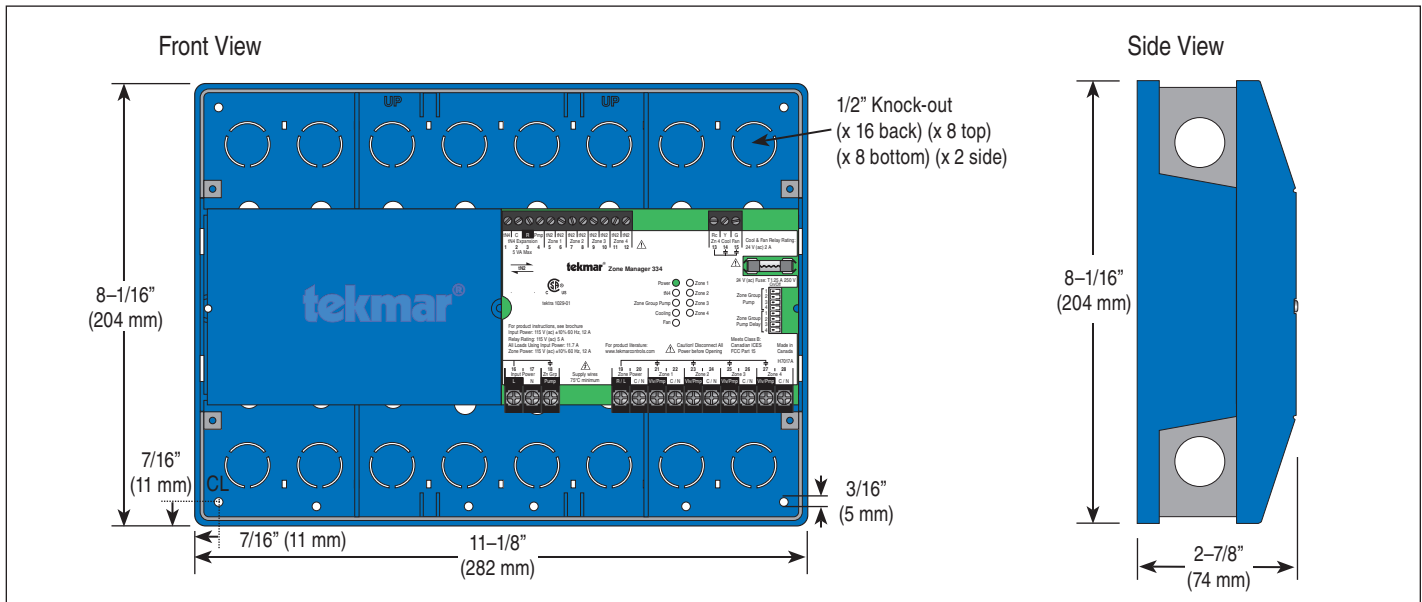
C334

01/11

Replaces: New

Job _____ Designer _____ Contact _____

The tekmarNet® 2 Zone Manager 334 is designed to provide a zoning solution for 2-wire tekmarNet® 2 thermostats used in heating systems. It can be used in applications ranging from baseboard zones, to remote manifolds for radiant heating. This control energizes up to 4 zone valves or zone pumps. It is capable of providing power for up to 4 tekmarNet® 2 thermostats and energizing their respective 24 V (ac) or 115 V (ac) zones, as well as providing a powered Zone Group Pump (powered end switch) contact to enable an external device such as a manifold pump.



Specifications

tN2 Zone Manager 334 Four Zones, Cooling & Fan	
Literature	D334, W334, J334
Control	Microprocessor control. This is not a safety (limit) control
Packaged weight	4.9 lb. (2220 g)
Dimensions	3-5/8" H x 5-3/8" W x 9/16" D (92 x 137 x 14 mm)
Enclosure	Blue PC+ABS plastic with metal top and bottom conduit connection walls, NEMA type 1
Approvals	CSA C US, meets Class B: ICES & FCC Part 15
Ambient conditions	Indoor use only, 32 to 109°F (0 to 43°C), RH ≤80% to 88°F (31°C), down to 50% above 104°F (40°C), Altitude <6560 ft. (2000 m), Installation Category II, Pollution Degree 2
Input power supply	115 V (ac) +/- 10%, 60 Hz, 12 A max
Combined load	All loads using input power 11.7A max
Zone power	115 V (ac) +/- 10%, 60 Hz, 12 A max
Zone group pump relay	115 V (ac) 5 A
Zone relays	115 V (ac) 5 A
Transformer power available	24 V (ac) 17 VA, fuse T1.25 A 250 V
Cool and fan relays	24 V (ac) 2 A
Warranty	Limited 3 Year (See D334 for full warranty)

Features

- Only requires 2 wires per zone
- For use with tekmarNet® 2 thermostats ONLY
- tekmarNet® 2 compatible
- Four zone valves or zone pumps
- Time delay for thermal motor zone valves
- CSA C US Certified for use in USA and Canada
- Provides power to tekmarNet® 4 reset module

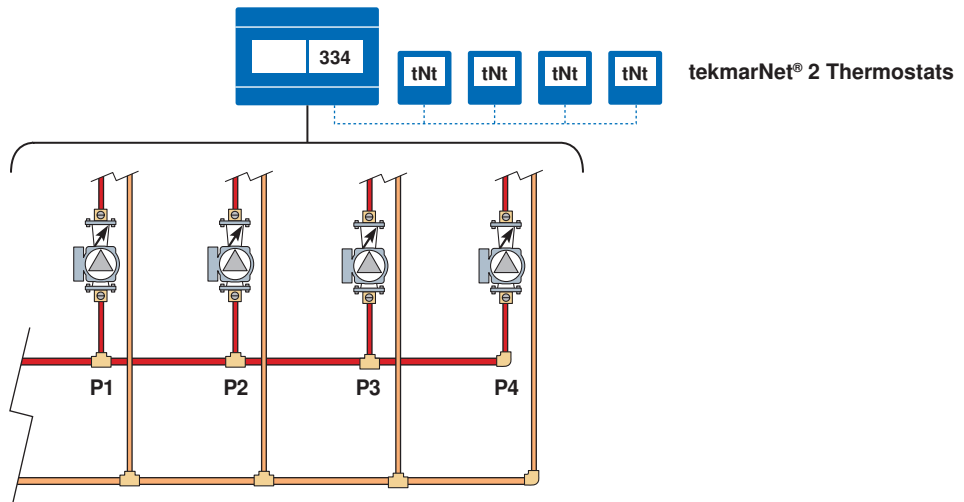
SPECIAL REQUIREMENTS

This control is designed for use ONLY with tekmarNet® 2 Thermostats.

Sample Application Drawing

Below is a sample application drawing for this product. This application may include other tekmar products that are required for installation. More sample applications can be found at www.tekmarcontrols.com.

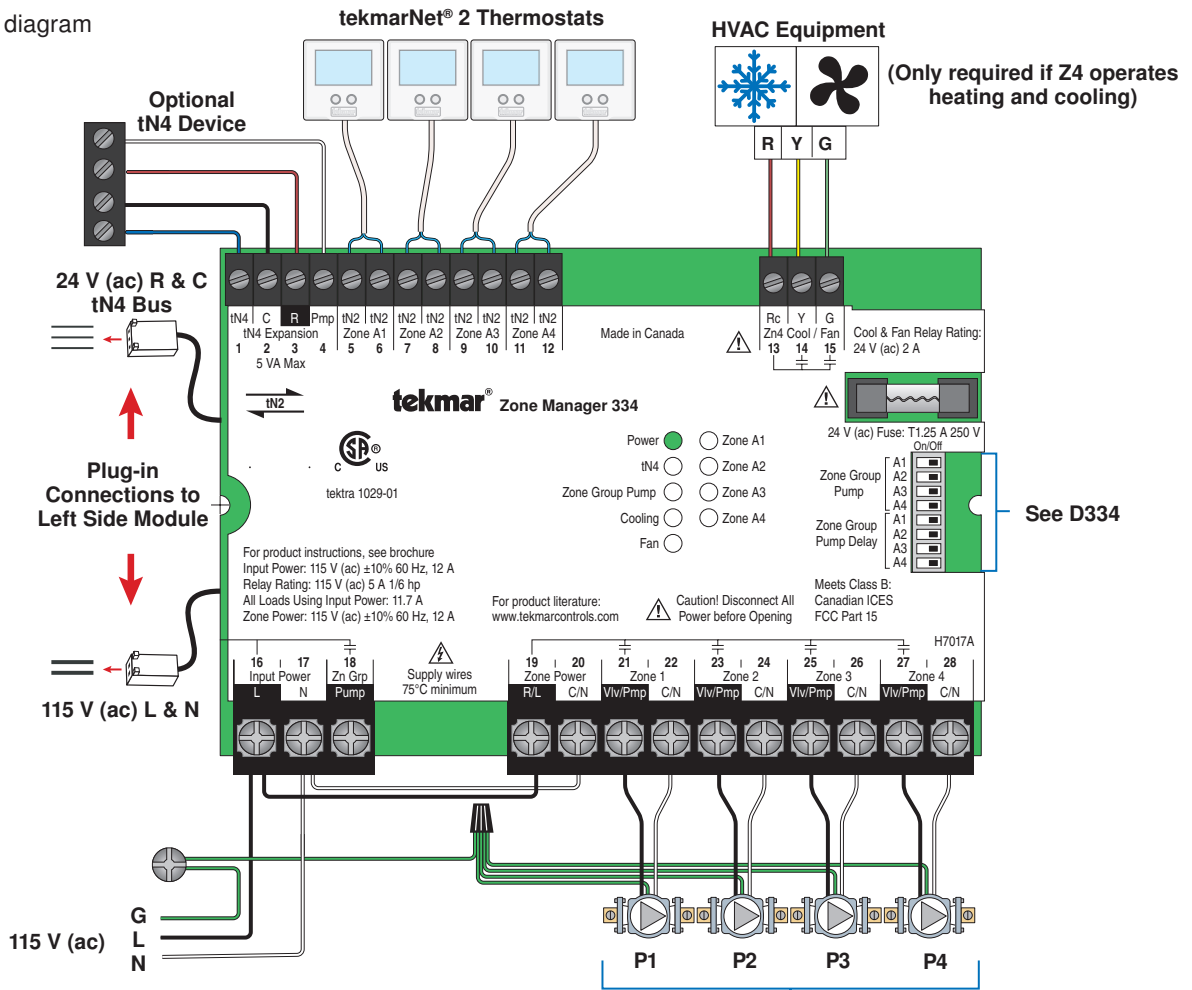
Sample Mechanical diagram



Sample Electrical diagram

Legend

- P1 = Zone Pump 1
- P2 = Zone Pump 2
- P3 = Zone Pump 3
- P4 = Zone Pump 4



Refer to Job Record for Maximum Allowable Loads



tekmar Control Systems Ltd., Canada, tekmar Control Systems, Inc., U.S.A. **Head Office: 5100 Silver Star Road, Vernon, B.C. Canada V1B 3K4, 250-545-7749, Fax. 250-545-0650 Web Site: www.tekmarcontrols.com**

