

### Features

- Antimicrobial finish inhibits the growth of mold-, mildew-, stain-, and odor-causing bacteria on the fixture surface.
- Ideal for healthcare and education installations.
- 8-inch center faucet holes.
- Oval basin.
- Overflow drain.
- Includes wall hanger.

### Material

- Vitreous china.

### Installation

- Wall-mount
- Drilled for concealed arm carrier installation.

### Optional Products/Accessories

K-8998 P-Trap  
K-1998 Shroud

### Included Components

Additional Components:  
Hanger(s) (Qty 2)



ADA CSA B651 OBC

### Codes/Standards

ASME A112.19.2/CSA B45.1  
ADA  
ICC/ANSI A117.1  
CSA B651  
OBC


### KOHLER® One-Year Limited Warranty

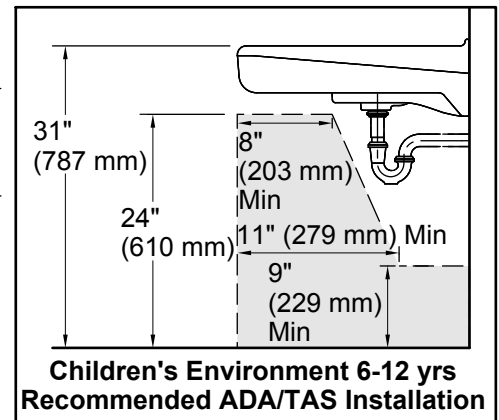
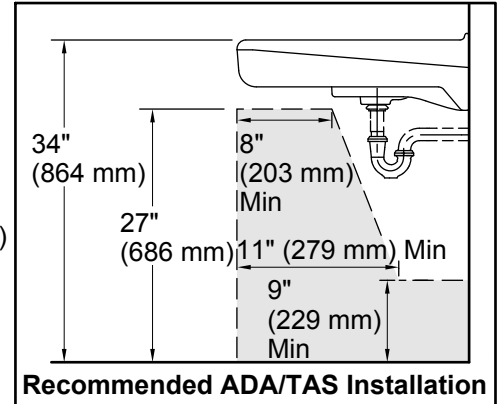
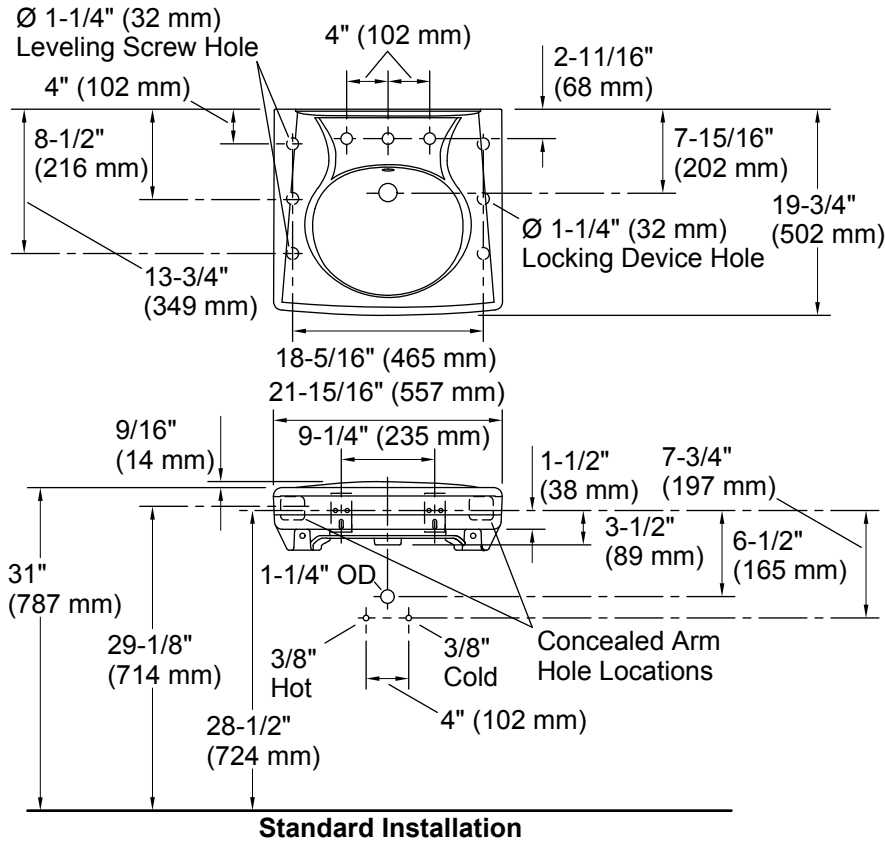
See website for detailed warranty information.

### Available Colors/Finishes

*Color tiles intended for reference only.*

Color	Code	Description
-------	------	-------------

	0	White
--	---	-------



### Technical Information

All product dimensions are nominal.

Bowl configuration: Single

Installation: Wall-mount

Bowl area (Only): Length: 14-3/8" (365 mm)  
Width: 12-5/16" (313 mm)  
With overflow: Yes  
Water depth: 3-1/4" (83 mm)

Number of deck holes: 3

Faucet hole spacing: 8" (203 mm)

Faucet hole(s): 1-3/8" (35 mm)

Drain hole: 1-3/4" (44 mm)

### Notes

Install this product according to the installation instructions.

ADA, OBC, CSA B651 compliant when installed to the specific requirements of these regulations.