

DESCRIPTION

- Brass construction with chrome plated finish
- 1/2" IPS connections
- Vandal resistant torx head screws
- Vandal resistant laminar flow aerator


OPERATION

- Lever style handles with hot and cold color indicators

CARTRIDGE

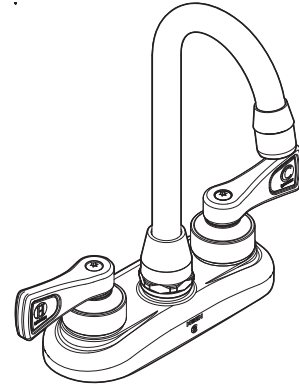
- Brass shell, ceramic disc cartridge
- 1/4 turn operation

STANDARDS

- Third party certified to meet ASME A112.18.1/CSA B125.1, NSF 61/9 and all applicable specifications referenced therein
- Contains no more than 0.25% weighted average lead content
- Complies with California Proposition 65 and with the Federal Safe Drinking Water Act
- **ADA**  for lever handles

WARRANTY

- Warranted for five years against material or manufacturing defects

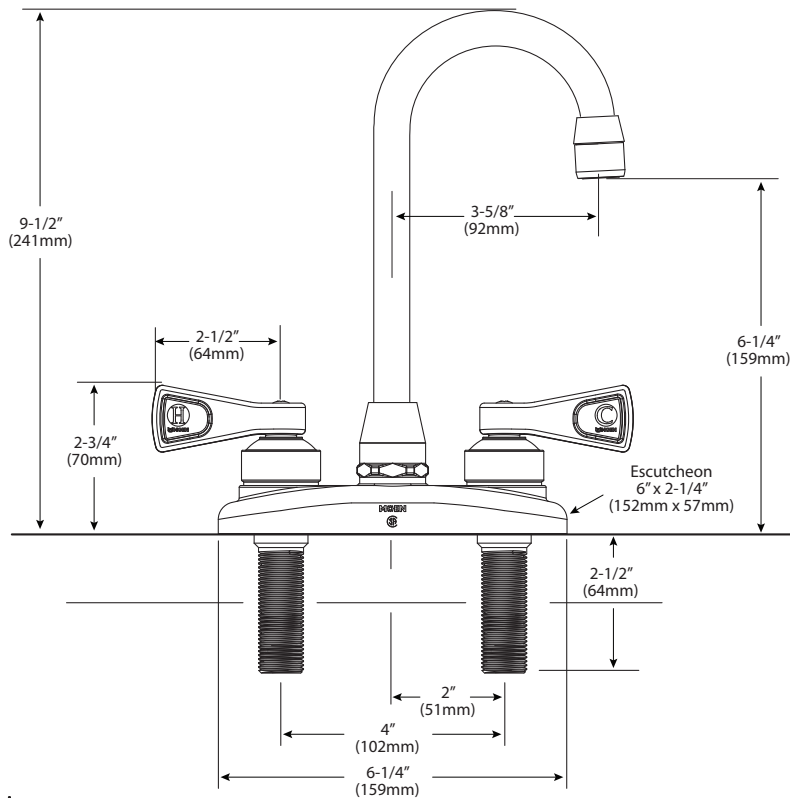


Two-Handle Bar/Pantry Faucet

Model: 8270



NOTE: Designed to be installed through 2 holes - 1" min. dia.



CRITICAL DIMENSIONS

(DO NOT SCALE)