



**Dearborn®
Brass**

4675 W. 160th St.
Cleveland, Ohio 44135
Ph: (800) 321-9532
Fax: (800) 321-9535
www.dearbornbrass.com

SUBMITTAL SPECIFICATION

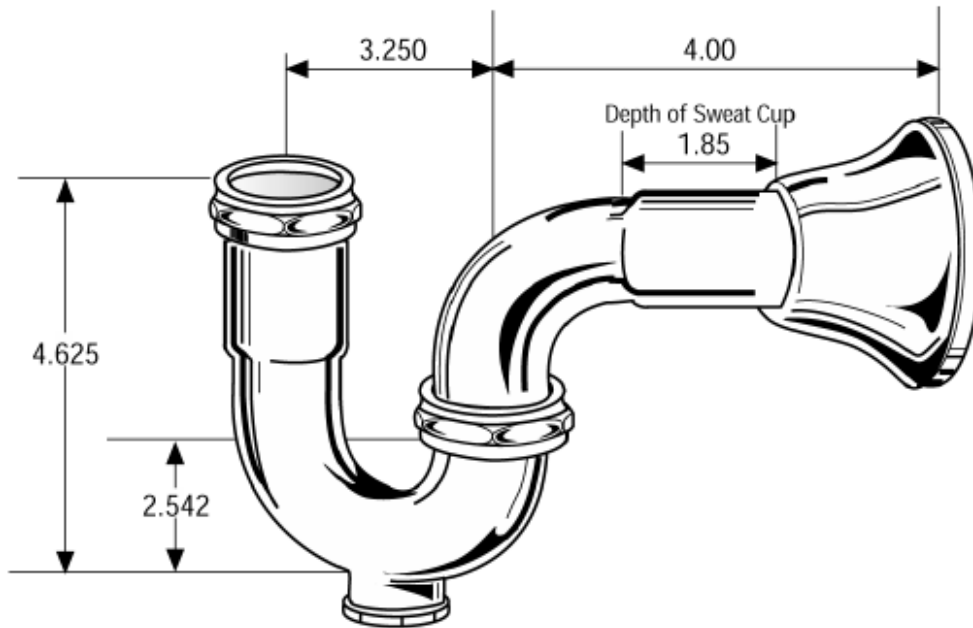
**BRASS TUBULAR
WASHINGTON CODE SINK TRAP WITH CLEANOUT**

Engineering Specification: Dearborn Brass 1-½" x 1-¼" Washington Code Sink Trap with Cleanout is designed for use in tubular drain applications.

Job Reference

DESCRIPTION

- Chrome Finish
- 17 Gauge Brass
- 1-½" x 1-¼" Sink Trap
 - Deep Metal Flange
 - Sink J-Bend with Ground Joint Flange
 - Outlet Bend
 - Cleanout Plug
 - Fiber Cleanout Washer
 - (1) Brass Nut
 - (1) 1-½" x 1-¼" Rubber Washer
 - (1) 1-½" x 1-¼" Polyethylene Reducing Washer



✓	Product No.	Description	Carton Quantity	Carton Weight (lbs)
	747GDFBN-1	1-½" x 1-¼" Washington Code Sink Trap with Cleanout, Deep Flange & Brass Nut	10	9

Data is subject to manufacturing tolerances.