



Features

- Deep rectangular bath with modern aesthetic
- Durable high-gloss finish provides a smooth, shiny surface that is easy to clean
- Integral lumbar support
- Integral flat apron with minimalist design
- Integral flange provides superior water containment and simplifies alcove installation
- Textured bottom surface

Material

- Made from solid Vikrell® material for strength, durability, and lasting beauty

Installation

- Alcove
- Right drain



ADA

Codes/Standards

CSA B45.5/IAPMO Z124
ASTM E162
ASTM E662
ADA
ICC/ANSI A117.1


STERLING® Vikrell® or Acrylic Baths and Shower Bases Ten-Year Limited Warranty

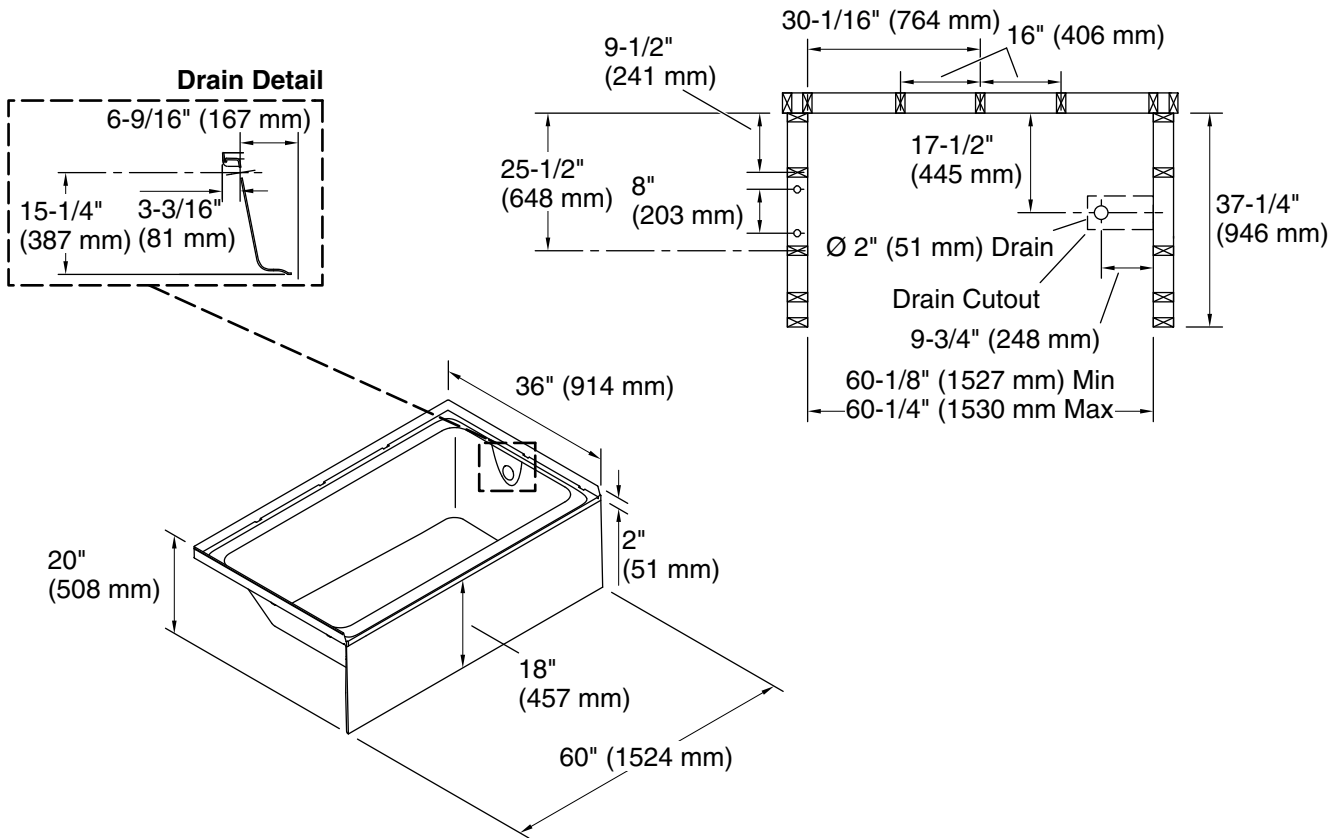
See website for detailed warranty information.

Available Colors/Finishes

Color tiles intended for reference only.

Color	Code	Description
-------	------	-------------

	0	White
---	---	-------



Technical Information

All product dimensions are nominal.

- Drain location: Right
- Weight: 63 lbs (28.6 kg)
- Water depth: 13-1/4" (337 mm)
- Water capacity: 61 gal (230.9 L)
- Minimum flat for door: 3" (76 mm)

Notes

- Install this product according to the installation instructions.
- ADA compliant when installed to the specific requirements of these regulations.