

Submittal Data Sheet



Job or Customer:

Engineer:

Contractor:

Submitted by: Date

Approved by: Date

Order No: Date

Specification:

**ADDITIONAL CORROSIVE
WASTE PRODUCTS**

ENFIELD™
ELECTROFUSION ACID WASTE SYSTEM

LABLINE®
MECHANICAL JOINT ACID WASTE SYSTEM

PLENUMLINE™
FR-PVDF MECHANICAL JOINT ACID WASTE SYSTEM

NEUTRATANK®
NEUTRALIZATION TANKS

Encase™
PP Double Containment System

IPEX corrosive waste piping system has all the accessories necessary for a truly integrated plumbing system, including adjustable acid-resistant floor drains.

For efficiently managing chemical spills, our Floway™ adjustable polypropylene drain ports are specially designed to feed into IPEX acid waste systems.

Key Advantages of the IPEX Floway™ adjustable polypropylene floor drains include:

- Outlet sizes available from 2" – 6"
- Can be configured with adjustable strainers, round funnels, sediment baskets and plain end or threaded outlets
- Adjustable height feature allows for easy leveling after pouring the finished floors

product availability

Adjustable floor drain

Adjustable floor drain with sediment basket

Adjustable floor drain with sediment basket and funnel

Adjustable floor drain with funnel

Adjustable acid waste cleanout with nickel-bronze cover

Adjustable height

FLOWAY™ POLYPROPYLENE DRAIN DIMENSIONS – ADJUSTABLE

SPECIFICATION: Floway series F1000 polypropylene adjustable floor drain with 6" diameter strainer and plain end outlet. Body with 14-1/2" diameter flange, and non-puncturing style flashing collar with weep holes.

SERIES F1000 ADJUSTABLE FLOOR DRAIN

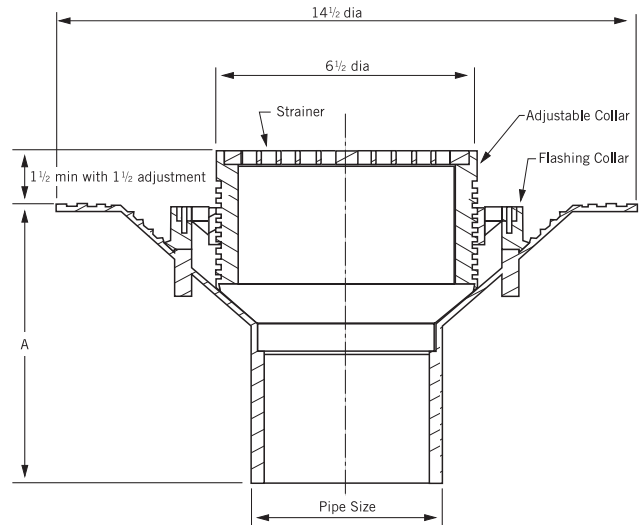
| Cat. No. | Outlet Size (in) | A (in) | Wgt (lbs) |
|----------|------------------|--------|-----------|
| F1201 | 2* | 10-5/8 | 3.2 |
| | 3 | 7 | 2.7 |
| F1401P | 4 | 7 | 2.8 |
| F1601P | 6 | 7 | 3.1 |

All drains are minimum 3" diameter.

* For 2" drains, use the appropriate Enfield or Labline reducer.

OPTIONS

- Gas tight plug
- Male iron pipe thread outlet



SPECIFICATION: Floway series F1000 polypropylene adjustable floor drain with 6" diameter strainer, sediment basket, and plain end outlet. Body with 14-1/2" diameter flange, and non-puncturing style flashing collar with weep holes.

SERIES F1000 ADJUSTABLE FLOOR DRAIN WITH SEDIMENT BASKET

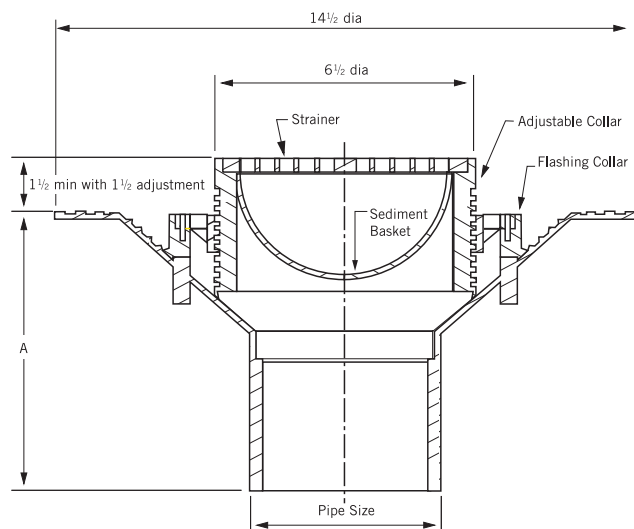
| Cat. No. | Outlet Size (in) | A (in) | Wgt (lbs) |
|----------|------------------|--------|-----------|
| F1202 | 2* | 10-5/8 | 3.2 |
| F1302P | 3 | 7 | 2.7 |
| F1402P | 4 | 7 | 2.8 |
| F1602P | 6 | 7 | 3.1 |

All drains are minimum 3" diameter.

* For 2" drains, use the appropriate Enfield or Labline reducer.

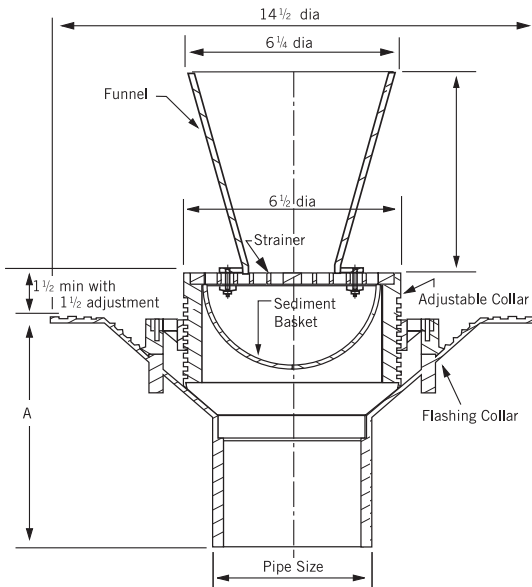
OPTIONS

- Gas tight plug
- Male iron pipe thread outlet



FLOWAY™ POLYPROPYLENE DRAIN DIMENSIONS – ADJUSTABLE

SPECIFICATION: Floway series F1000 polypropylene adjustable floor drain with 6" diameter strainer, sediment basket, 6" diameter funnel and plain end outlet. Body with 14-1/2" diameter flange, and non-puncturing style flashing collar with weep holes.



SERIES F1000 ADJUSTABLE FLOOR DRAIN WITH SEDIMENT BASKET AND 6" ROUND FUNNEL

| Cat. No. | Outlet Size (in) | A (in) | Wgt (lbs) |
|----------|------------------|--------|-----------|
| F1203 | 2* | 10-5/8 | 3.2 |
| F1303P | 3 | 7 | 2.7 |
| F1403P | 4 | 7 | 2.8 |
| F1603P | 6 | 7 | 3.1 |

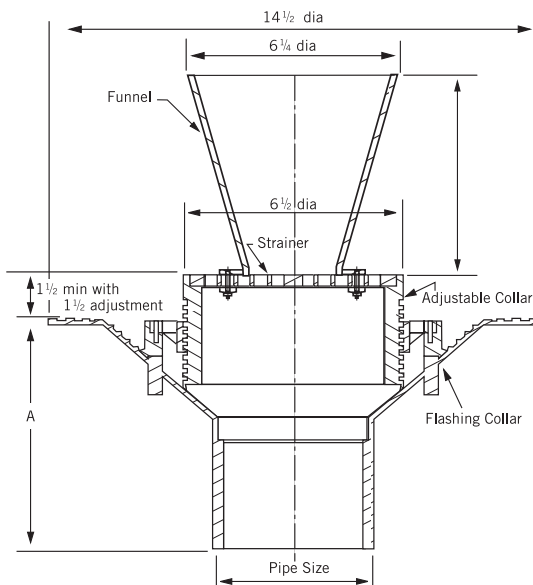
All drains are minimum 3" diameter.

* For 2" drains, use the appropriate Enfield or Labline reducer.

OPTIONS

- Gas tight plug
- Male iron pipe thread outlet

SPECIFICATION: Floway series F1000 polypropylene adjustable floor drain with 6" diameter strainer, 6" diameter funnel and plain end outlet. Body with 14-1/2" diameter flange, and non-puncturing style flashing collar with weep holes.



SERIES F1000 ADJUSTABLE FLOOR DRAIN WITH 6" ROUND FUNNEL

| Cat. No. | Outlet Size (in) | A (in) | Wgt (lbs) |
|----------|------------------|--------|-----------|
| F1204 | 2* | 10-5/8 | 3.2 |
| F1304P | 3 | 7 | 2.7 |
| F1404P | 4 | 7 | 2.8 |
| F1604P | 6 | 7 | 3.1 |

All drains are minimum 3" diameter.

* For 2" drains, use the appropriate Enfield or Labline reducer.

OPTIONS

- Gas tight plug
- Male iron pipe thread outlet

FLOWAY™ POLYPROPYLENE DRAIN OPERATIONAL NOTES

| Test | Test Standard | Conditions | Unit | Safe Load |
|------------------|---------------|--------------------------|------|-----------|
| Static Load Test | Adjustable | 72°F / full face loading | lbf | 2750 |

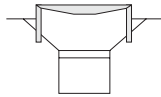
The maximum safe live load was calculated by dividing the load at failure by two.

Note:

- i. The press test simulates (under laboratory conditions) the resistance to buckling of floor drains under given loadings and surface area considerations.
- ii. It is not meant to simulate every type of wheel design loading as this will vary according to the equipment supplier.
- iii. The larger the wheel diameter, the more likely it is that the full face loading result can be used as an indication of resistance to load
- iv Polypropylene will normally recover to near its original dimensions after the load is removed.

| Dimension inches | Significant Number | Product Code |
|------------------|--------------------|--------------|
|------------------|--------------------|--------------|

F1000 Series Adjustable Floor Drain



| | | |
|-----------|--------|--------|
| Enfield 2 | F1201L | 237001 |
| Labline 2 | F1201W | 237075 |
| 3 | F1301P | 237011 |
| 4 | F1401P | 237021 |
| 6 | F1601P | 237031 |

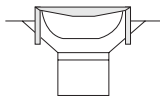
Size (inches):

- 2" Enfield
- 3
- 6
- 2" Labline
- 4

Sediment Basket:

- Yes
- No

F1000 Series Adjustable Floor Drain



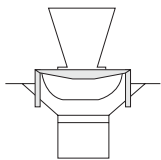
| | | |
|-----------|--------|--------|
| Enfield 2 | F1202L | 237002 |
| Labline 2 | F1202W | 237076 |
| 3 | F1302P | 237012 |
| 4 | F1402P | 237022 |
| 6 | F1602P | 237033 |

w/ Sediment Basket

6" Round Funnel:

- Yes
- No

F1000 Series Adjustable Floor Drain



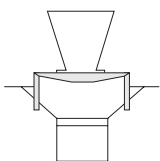
| | | |
|-----------|--------|--------|
| Enfield 2 | F1203L | 237003 |
| Labline 2 | F1203W | 237077 |
| 3 | F1303P | 237013 |
| 4 | F1403P | 237023 |
| 6 | F1603P | 237034 |

w/ Sediment Basket and 6" Round Funnel

Options (select all that apply):

- Gas Tight Plug
- Male Iron Pipe Thread Size Outlet

F1000 Series Adjustable Floor Drain



| | | |
|-----------|--------|--------|
| Enfield 2 | F1204L | 237004 |
| Labline 2 | F1204W | 237078 |
| 3 | F1304P | 237014 |
| 4 | F1404P | 237024 |
| 6 | F1604P | 237032 |

w/ 6" Round Funnel Only

IPEX Part Number:

| | Dimension inches | Significant Number | Product Code |
|---|---------------------|-----------------------|-----------------|
| Gas Tight Plug | | | |
|  | 3 | P20036 | 237815 |
| | 4 | P20037 | 237816 |
| | 6 | P20038 | 237817 |
| Blank Cover for F Series Drains | | | |
| | F1000 Series | P20034 | 237814 |
| Round Funnel | | | |
| | 6 | P20017 | 237810 |
| Sediment Basket Strainer for F Series Drains | | | |
| | F1000 Series | P20016 | 237809 |
| Grid Strainers for F Series Drains | | | |
| | F1000 Series | P20013 | 237807 |
| Male Iron Pipe Threaded Outlet | | | |
|  | 3 | - | 257091 |
| | 4 | - | 257092 |
| FPT Tap for Priming Drain Assembly | | | |
| | 3/8 | - | 237430 |
| | 1/2 | - | 237429 |
| Trap Primer 12" Length w/ 1/2" FPT | | | |
| | 2 | - | 257126 |
| | 3 | - | 257127 |
| | 4 | - | 257128 |

IPEX components are dimensionally matched; do not install system of mixed brands without our expressed written consent.

About the IPEX Group of Companies

As leading suppliers of thermoplastic piping systems, the IPEX Group of Companies provides our customers with some of the world's largest and most comprehensive product lines. All IPEX products are backed by more than 50 years of experience. With state-of-the-art manufacturing facilities and distribution centers across North America, we have established a reputation for product innovation, quality, end-user focus and performance.

Markets served by IPEX group products are:

- Electrical
- Telecommunications and utility
- Industrial process piping
- Municipal pressure and gravity flow
- Plumbing and DWV and water supply
- Irrigation
- Electrofusion PE for gas and water
- Industrial, plumbing and electrical cements
- PVC, CPVC, PVCO, ABS, PE, PEX, PP and PVDF pipe and fittings

Products are manufactured by IPEX Inc.

Flowway™, Enfield™, Labline®, Plenumline™, Neutratanke® and Encase™ are trademarks of IPEX Branding Inc.

This literature is published in good faith and is believed to be reliable. However, it does not represent and/or warrant in any manner the information and suggestions contained in this brochure. Data presented is the result of laboratory tests and field experience.

A policy of ongoing product improvement is maintained. This may result in modifications of features and/or specifications without notice.