



Portrait Comfort Height 1.28 gpf Toilet with AquaPiston® flush technology
K-3826

Features

- One-piece toilets integrate the tank and bowl into a seamless, easy-to-clean design.
- Compact elongated bowl offers added comfort while occupying the same space as a round-front bowl.
- Concealed trapway facilitates easy cleaning and enhances design.
- Comfort Height® feature offers chair-height seating that makes sitting down and standing up easier for most adults.
- Glenbury™ Quiet-Close™ seat with Quick-Release™ functionality allows seat to close quietly and quickly unlatch from the toilet for easy removal and convenient cleaning.
- 2-1/8-inch glazed trapway.
- 1.28 gallons per flush (gpf).
- Includes Polished Chrome lift knob.
- Supply line not included.
- Coordinates with other products in the Portrait collection.



Technology

- Single-flush gravity uses the force of gravity and a precision-engineered tank, bowl, and trapway to create a strong siphon during flushing.
- AquaPiston canister allows water to flow into the bowl from all sides (360 degrees), increasing the power and effectiveness of the flush.
- Flush valve's 3: 2 ratio harnesses the natural force of gravity and optimizes flush performance.
- Durable canister design has 90% less exposed seal material than a 3-inch flapper, for leak-free performance.
- Light-touch canister flush requires a lower actuation force than a flapper.

Installation

- Standard 12-inch rough-in.

Water Conservation & Rebates

- WaterSense® toilets meet strict EPA flushing guidelines, including using at least 20 percent less water than 1.6-gallon toilets.
- Eligible for consumer rebates in some municipalities.
- 10-3/4" x 6-3/4" (273 mm x 171 mm) water spot.

Recommended Accessories

K-75796 Cachet® Nightlight Quiet-Close™ Elongated Toilet Seat
 K-4108 C3®-230 Elongated Cleansing Toilet Seat

Components

Additional included component/s: Tank valves, Aqua Piston® valves, Low profile bolt caps, Top-mount lift trip lever, and Seat.



Codes/Standards

ASME A112.19.2/CSA B45.1
 DOE - Energy Policy Act 1992
 EPA WaterSense®
 California Energy Commission (CEC)

KOHLER® One-Year Limited Warranty

See website for detailed warranty information.

Available Color/Finishes

Color tiles intended for reference only.

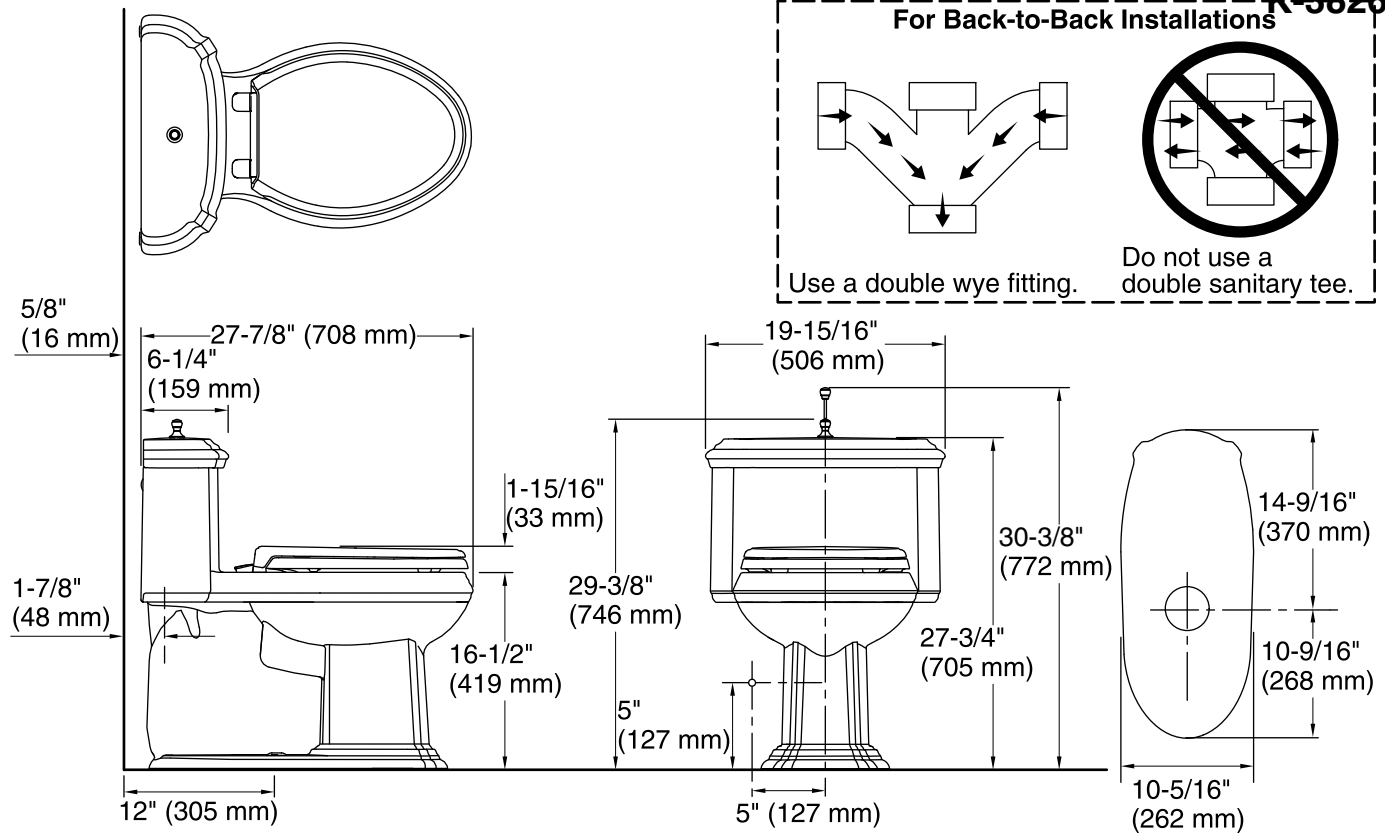
Color	Code	Description
	0	White
	96	Biscuit
	47	Almond
	NY	Dune
	95	Ice™ Grey
	G9	Sandbar
	K4	Cashmere
	58	Thunder™ Grey
	7	Black Black™

KOHLER®

Portrait Comfort Height 1.28 gpf Toilet with AquaPiston® flush technology

Portrait®

K-3826



Technical Information

All product dimensions are nominal.

Toilet type: One-piece, Floor-mount

Waste Outlet: Floor

Bowl shape: Elongated front

Flush type: AquaPiston

Seat hinge type: Quick-Release™

Trap passageway: 2-1/8" (54 mm)

Water Consumption

Full: 1.28 gpf (4.8 lpf)

Water surface size: 10-3/4" x 6-3/4" (273 mm x 171 mm)

Rim to water surface: 6" (152 mm)

Rough-in: 12" (305 mm)

Seat-mounting holes: 5-1/2" (140 mm)

Fixture Supply Requirements

Min static pressure: 20 psi (137.9 kPa)

Max static pressure: 80 psi (551.6 kPa)

Min flowing pressure: 20 psi (137.9 kPa)

Min flow rate: 0.5 gpm (1.9 lpm)

Notes

Install this product according to the installation instructions.

For back-to-back toilet installations: Use only a 45° double wye fitting.

USA/Canada: 1-800-4KOHLER (1-800-456-4537)

Kohler Co. reserves the right to make revisions without notice to product specifications.

For the most current Specification Sheet, go to www.kohler.com.

1-13-2018 03:07

THE BOLD LOOK
OF **KOHLER**®