

Features

- Globular glass shades are gracefully suspended from curved metal bases in artist-inspired arrangements.
- A great piece for almost any space — master bathroom, guest bathroom, hallway, or bedside.
- Requires one bulb with G9 socket; G9 LED bulb recommended (sold separately).
- Suitable for damp locations, per UL 1598.
- Includes installation hardware.

Material

- Manufactured with quality materials and complemented with a meticulous finishing process.
- Durable finishes engineered to last and designed to coordinate with KOHLER faucet finishes.



Codes/Standards




UL 1598
CSA C22.2 No. 250.0

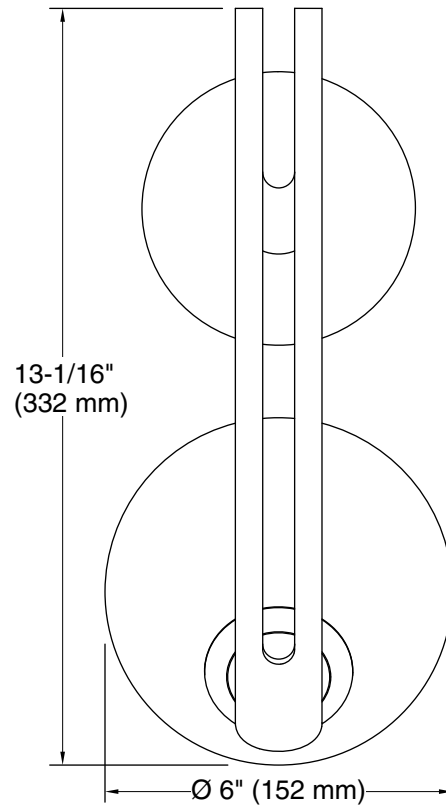
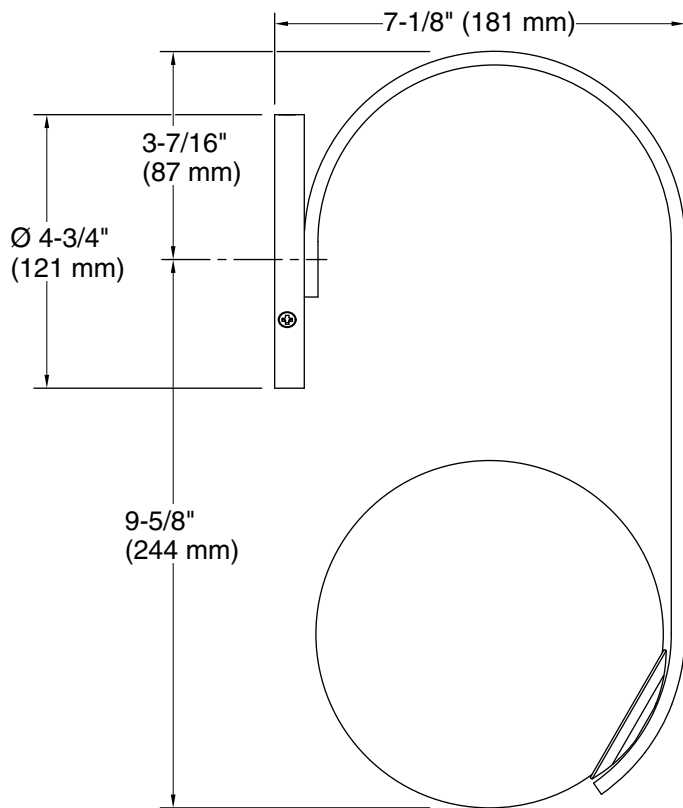
KOHLER® Indoor Lighting Fixtures Limited Warranty

See website for detailed warranty information.

Available Colors/Finishes

Color tiles intended for reference only.

Color	Code	Description
	CPL	Polished Chrome
	BLL	Matte Black
	2PL	Polished Brass



Required Electrical Service

One circuit required.

120 V, 60 Hz

Technical Information

All product dimensions are nominal.

Installation Type:	Wall-mount
Material:	Steel, Aluminum, Glass
Number of Lights:	1
Lighting Type:	Socket-based
Socket Type:	2 pin G9
Number of Shades:	1
Shade Type:	Glass - frosted