



**Dearborn®
Brass**

4675 W. 160th St.
Cleveland, Ohio 44135
Ph: (800) 321-9532
Fax: (800) 321-9535
www.dearbornbrass.com

SUBMITTAL SPECIFICATION

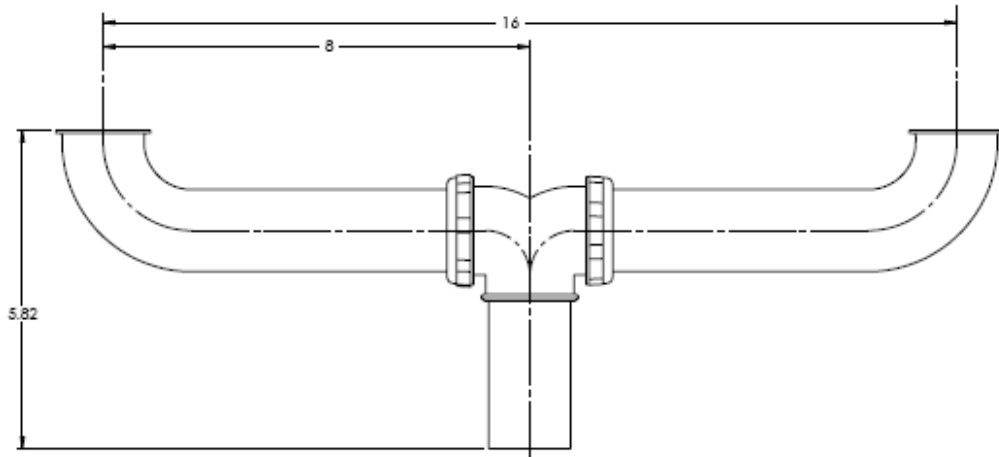
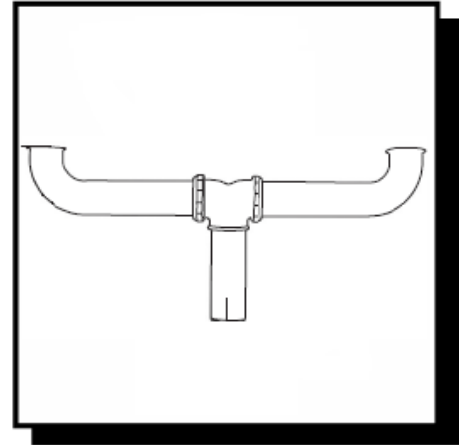
**BRASS TUBULAR
1-½" CENTER OUTLET WASTE
WITH HI-LINE CONNECTION**

Engineering Specification: Dearborn Brass 1-½" Brass Tubular Center Outlet Waste with Hi-Line Connection is designed for use in tubular drain applications. Available in 17, 20 or Budget Gauge Brass. Options include 16" or 21" lengths and Baffle Tee.

Job Reference

DESCRIPTION

- Chrome Finish
- Center Outlet Waste
 - (2) Waste Arms
 - Tailpiece
 - Twin Tee
 - (2) Zinc Nuts
 - (2) Rubber Washers



✓	Product No.	Description	Carton Quantity	Carton Weight (lbs)
	2123A-1	1-½" x 16" Center to Center, Hi-Line – Budget Gauge	5	7
	123A-1	1-½" x 16" Center to Center, Hi-Line – 20 Gauge	5	8
	123B-1	1-½" x 21" Center to Center, Hi-Line – 20 Gauge	5	9
	133A-1	1-½" x 16" Center to Center, Hi-Line – 17 Gauge	5	9
	83A-1	1-½" x 16" Center to Center, Hi-Line – 20 Gauge – with Baffle Tee	5	7

Data is subject to manufacturing tolerances.