

## Features

- Brass construction
- Intended for use with Kohler non-diverter bath spouts
- Two- or three-way configuration options
- Integral dual check valves for backflow prevention
- Bath-mount or deck-mount installation options

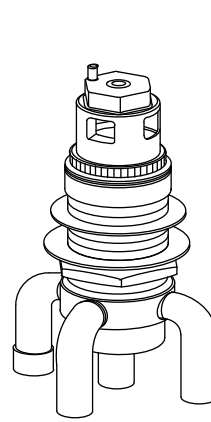
## Codes/Standards Applicable

Specified model meets or exceeds the following:

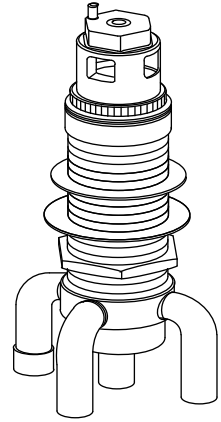
- ASME A112.18.1/CSA B125.1

## TRANSFER VALVE WITH INTEGRAL CHECK VALVES

**K-408-K**  
ALSO K-409-K



K-408-K



K-409-K

## Colors/Finishes

- NA: None applicable

## Specified Model

Model	Description	Colors/Finishes
K-408-K	Transfer valve with integral check for bath-mount installations	<input type="checkbox"/> NA
K-409-K	Transfer valve with integral check for deck-mount installations	<input type="checkbox"/> NA

## Product Specification

The two- or three-way transfer valve shall be made of brass construction. Product is intended for use with Kohler non-diverter bath spouts. Product shall feature two- or three-way configuration options, and integral dual check valves for backflow prevention. Optional feature shall be bath-mount or deck-mount installation. Transfer valve shall be Kohler Model K-\_\_\_\_\_-K-NA.

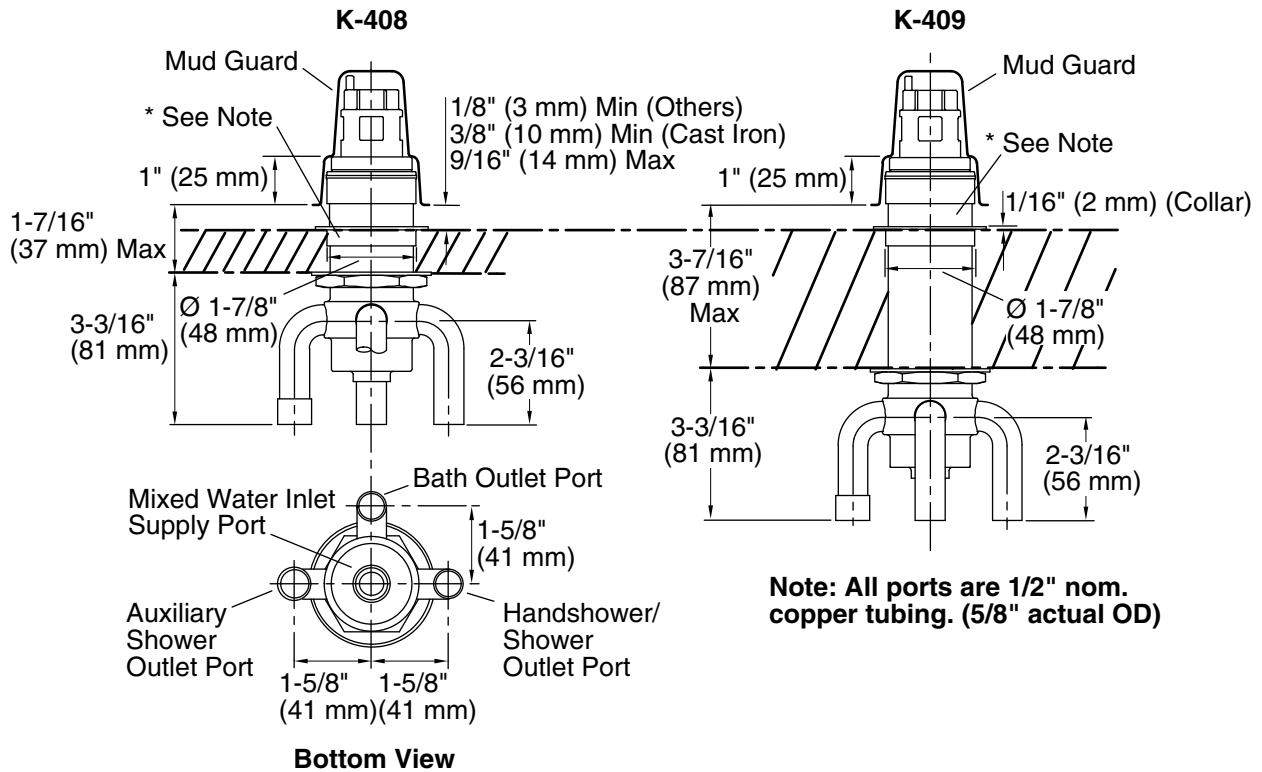
## Installation Notes

Bath and handshower outlets required for two-way transfer valve.

Bath, handshower, and auxiliary outlets required for three-way transfer valve.

When used as a two-way transfer valve (bath and handshower), the installer must cap the auxiliary outlet. Do not install spouts with flow restrictors or shower units on the bath outlet.

\* For installation on cast iron baths, collar should be installed with flange facing downward. Opening in cast iron must be  $\varnothing$  1-7/8" (48 mm) minimum.



## Product Diagram

TRANSFER VALVE WITH INTEGRAL CHECK VALVES

Page 2 of 2  
86847-4-AD

THE BOLD LOOK  
OF **KOHLER**<sup>®</sup>