

### Features

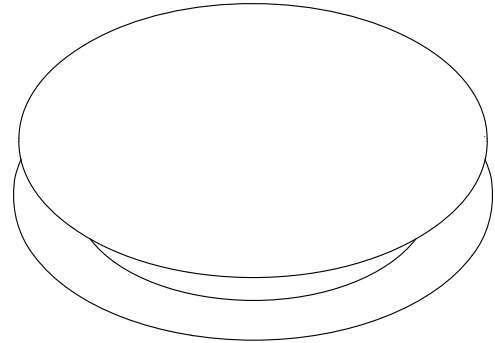
- Intended to replace existing stopper/drain, flange/toggle linkage.
- Toe-tap component installs on most drain bodies with 1-1/2"-11 1/2 NPSM thread.
- For KOHLER drains K-7160-AF, K-7160-TF, K-7161-AF, K-7193.

### Material

- Metal construction.

### Recommended Products/Accessories

K-7160-AF 1-1/2" adjustable pop-up drain  
K-7160-TF 1-1/2" adjustable pop-up drain  
K-7193 Bath Drain  
K-23726 Drain treatment  
K-23723 Faucet cleaner



### Codes/Standards

ASME A112.18.2/CSA B125.2

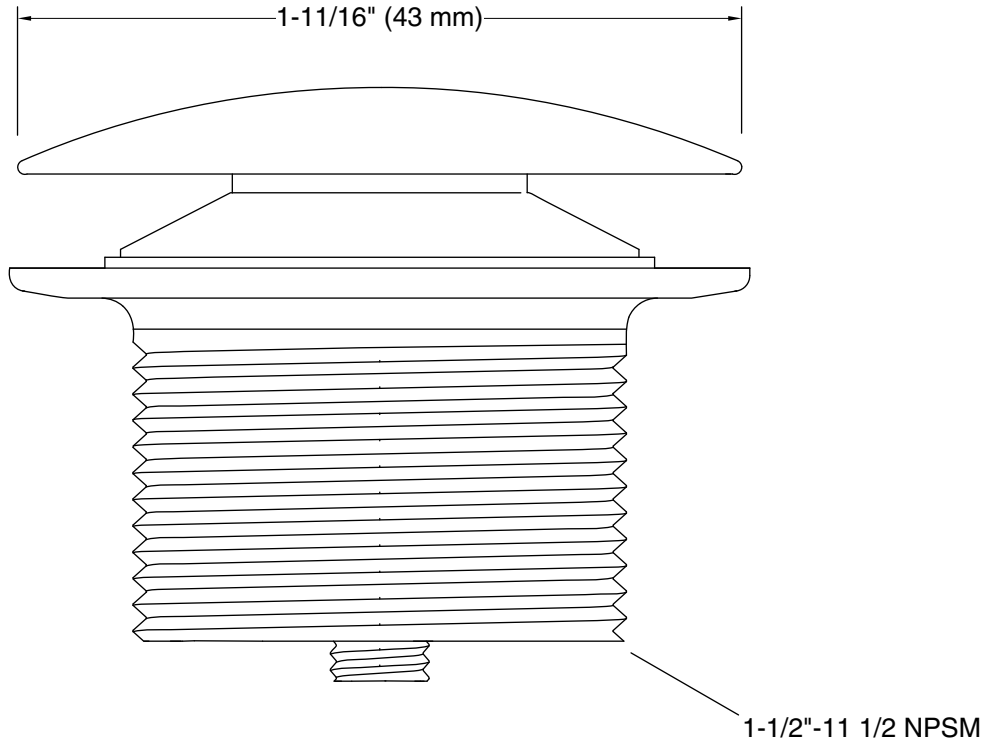
### KOHLER® Faucet Lifetime Limited Warranty

See website for detailed warranty information.

### Available Colors/Finishes

*Color tiles intended for reference only.*

Color	Code	Description
	CP	Polished Chrome



### Technical Information

All product dimensions are nominal.

### Notes

Install this product according to the installation instructions.

**IMPORTANT!** This installation should be performed by a qualified plumber.

**IMPORTANT!** Provide access to the back of the bath. Removing the existing overflow cover may effect the seal. Inspect the back of the bath for leaks after completing this retrofit installation.

The existing stopper should measure approximately 1-11/16" (43 mm) in diameter or this kit will not fit.