

Features

- Water-saving 1.0 gpf (3.8 lpf) flush valve uses 22% less water than 1.28 gpf (4.8 lpf) flush valves.
- Activation distance is factory-set.
- Chloramine and chlorine resistance on all rubber components exposed to waterway.
- Engineered for optimal performance with KOHLER® commercial fixtures.
- 125-micron filter protects internal components.
- High back pressure vacuum breaker.
- Locking stop cap provides protection against vandalism.
- No external flush volume adjustment ensures water conservation.
- 24-hour automatic sentinel flush keeps trapway fresh.
- Mechanical override enables flushometer to be used manually even during a power outage.
- Powered by a 30 year/875,000 cycle hybrid energy cell.

Material

- Brass construction with durable Polished Chrome finish.

Technology

- Electronic infrared sensor with Tripoint® technology for accurate activation.
- Patented piston technology for superior flush volume accuracy.

Installation

- Intended for toilet installations with 1-1/2" (38 mm) top spud coupling connection.

Recommended Products/Accessories

K-23723 Faucet cleaner



ADA

CSA B651

OBC

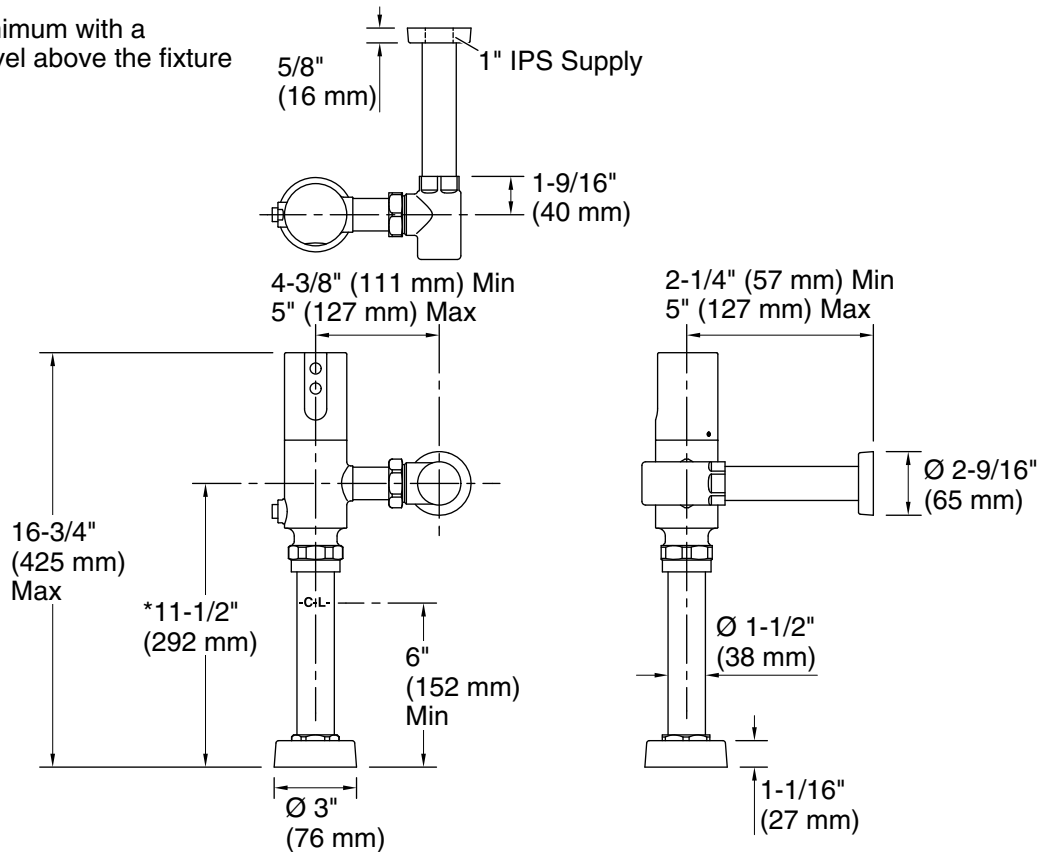
Codes/Standards

ASME A112.18.1/CSA B125.1
ASSE 1037/ASME A112.1037/CSA B125.37
EPA WaterSense®
ADA
ICC/ANSI A117.1
CSA B651
OBC

KOHLER® One-Year Limited Warranty

See website for detailed warranty information.

*10-3/4" (273 mm) minimum with a
6" (152 mm) critical level above the fixture



Technical Information

All product dimensions are nominal.

Pressure/fixture Supply Requirements

Fixture pressure max (static):	80 psi (551.6 kPa)
Fixture pressure min (static):	35 psi (241.3 kPa)
Min flowing pressure:	25 psi (172.4 kPa)
Min flow rate:	25 gpm (94.6 lpm)

Notes

Install this product according to the installation instructions.

ADA, OBC, CSA B651 compliant when installed to the specific requirements of these regulations.

For ADA installations, rear grab bar may need to be split or shifted.