



Job Name: \_\_\_\_\_

Job Location: \_\_\_\_\_

Contractor: \_\_\_\_\_

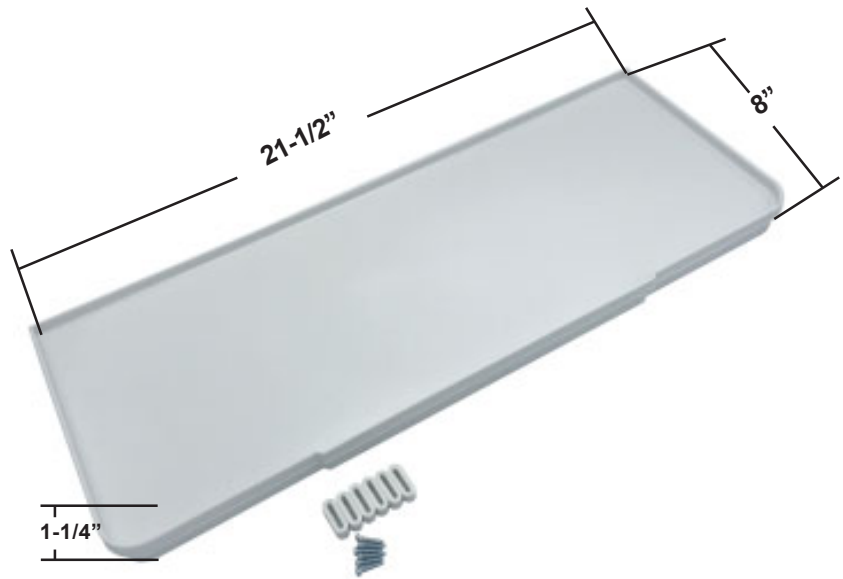
Engineer: \_\_\_\_\_

Approval: \_\_\_\_\_

## Fitall Tank Cover

### Design Features:

- Plastic Construction
- Furnished with Mounting Blocks (6) and Mounting Screws (6)
- Individually Boxed
- Imported



### Material Specifications and Dimensions

Part	Material	Dimensions
Tank Cover	White Plastic	21-1/2" x 8" x 1-1/4"
Mounting Block	White Plastic	1" x 3/8" x 3/8"
Mounting Screw	Steel	5/8" x 1/16"

W-R#	Description	Weight	Min	Box
1354200	Fitall Cover	1.36 lbs.	1	6