

# FIRE RATED LAV/SINK OUTLET BOX

» 696R SERIES

OxBox™

## SPECIFICATION

Sioux Chief 696R series supply OxBox™ shall be used where necessary in residential or commercial plumbing supply systems. Access box can be secured directly to vertical stud or between studs using galvanized bracket. Supply line(s) can be installed from above or below. Arrester variations can be installed with arresters at any angle. Unit shall be available with ¼-turn valves. Metal support bracket shall install into top/bottom tracks of box. Outlet connections shall be generally ⅜". Outlet connections should generally be provided with a test/tamper-resistant cap. Every unit shall include a debris cover for protection during rough-in. Valves will be plated. Arrester option handles can be operated together (single throw) or independently.

## MATERIALS

**Valve body:** no-lead brass<sup>1</sup>

**Valve shank:** no-lead brass<sup>1</sup>/copper/PPSU/CPVC, 304SS grip ring

**Outlet box/arrester clip:** ABS

**Frame:** fire-rated ABS

**Frame extension†:** fire-rated ABS

**Arrester body:** stainless steel, C693 NL brass<sup>1</sup>

**Arrester Piston:** GFPP with EPDM o-rings

**Bracket:** galvanized steel

**Fire-guard:** intumescent material

†696-EX frame extension available separately. Use with 2 layers of drywall for 2-hour specifications

## VALVE/ARRESTER WORKING LIMITS

**Max working temperature:** 200°F

**Max air/water testing & working pressure:** 150 PSIG

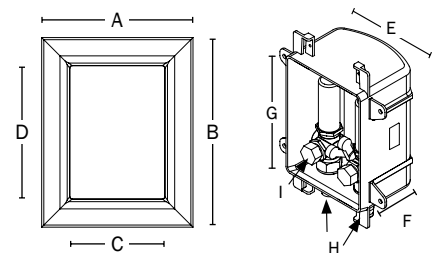
## DIMENSIONS

<b>A:</b> Frame width	5¾"
<b>B:</b> Frame height	7¼"
<b>C:</b> Frame opening width	3⅝"
<b>D:</b> Frame opening height	5⅛"
<b>E:</b> Rough-in box inner width	4"
<b>F:</b> Rough-in box overall depth	3½"
<b>G:</b> Rough-in box inner height	5½"
<b>H:</b> Supply connections	½" nominal, 2" O.C.
<b>I:</b> Outlet connections	⅜" compression
<b>J:</b> Bracket length	18"

ITEM # SUBMITTED	_____
JOB NAME	_____
LOCATION	_____
ENGINEER	_____
CONTRACTOR	_____
PO#	_____ TAG _____



696RG2011CF



## CERTIFICATIONS/APPROVALS

Box and valves are IAPMO listed  
Conforms to IPC

Listed by Warnock Hersey to meet:

ASTM E-814, CAN/ULC S115

2 hours (F), 31 minutes (T) for 2-hour design

1 hour (F), 31 minutes (T) for 1-hour design

ASTM E-119, UL 1479

System design number:

SC/WA120, W/N 14409

Valves meet ASME A112.18.1

ASSE 1010 Arresters\*

NSF-372 compliant<sup>1</sup>



Create Item Number

**696RG20A1BF**

e.g. **696RG2011MF:** Fire-Rated OxBox™ lav/sink outlet box with MIP/F.SWT valves with arresters, frame included

### ARRESTER A

**0** = No arresters

**1** = With arresters\*

### SUPPLY CONNECTION B

**C** = ½" Male CPVC

**M** = ½" MIP/F.SWT

**P** = ½" Male sweat/press/push

**V** = ½" Viega® PureFlow® PEX

**W** = ½" PEX F1960 Grip™

**X** = ½" PEX F1807/F2159 Crimp™

Available Separately:

696-EX: Frame extension

<sup>1</sup>Material is C69300 dezincification and SCC resistant, and is compliant with NSF-61 Annex G and California No Lead Plumbing Law

# FIRE-RATED OXBOX

## DESIGN SPECIFICATION

### 1. WALL CONSTRUCTION

- Wood or metal stud construction, max 100 in.<sup>2</sup> of penetrations per 100 ft<sup>2</sup> of wall.
- 16" or 24" on-center stud construction.
- Can be installed with a gap between front and back wall assemblies (UL Design # U341) (Figure 2).
- Single-layer 5/8" gypsum construction with 1-hour fire rating.
- Double-layer 5/8" gypsum construction with 2-hour fire rating. Frame extensions can be used.
- Boxes cannot be installed back to back.

### 2. PIPE/BOX SUPPORT

- Each outlet box shall be installed in a separate stud bay and attached to the stud (Figure 3 & 4). Fire rating does not apply to installations of two or more boxes in the same stud bay.
- Supplied support bar.
- Supply lines to be installed using ordinary methods.
- Drain line to be supported using ordinary methods.

### 3. PIPE MATERIAL

- 2" or larger metallic, PVC, or ABS DWV pipe.
- Metallic or plastic water supply pipe.

### 4. FIRESTOP DEVICE

Sioux Chief fire-rated OxBox uses fire-rated resin. Boxes have 4" x 4" intumescent adhesive pads factory installed on the back of boxes.

NOTE: Gaps up to 1/2" around box can be sealed with drywall plaster. Larger gaps require firestop sealant applied to opening spanning entire drywall depth

FIGURE 1

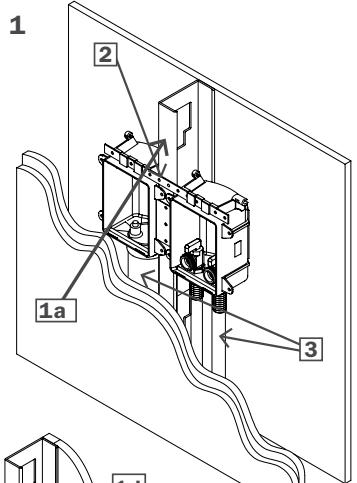
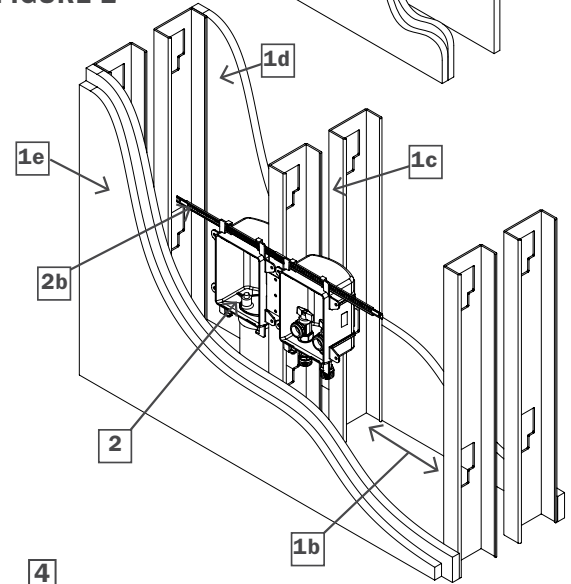


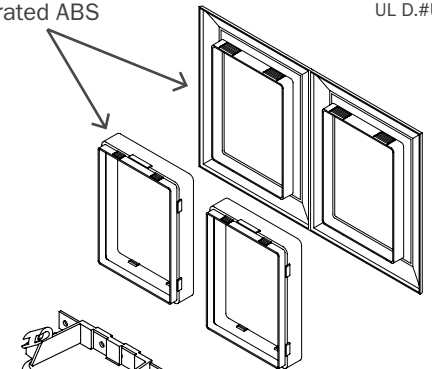
FIGURE 2



4

Fire-rated ABS

UL D.#U341



Intumescent pads

"over stud" installation

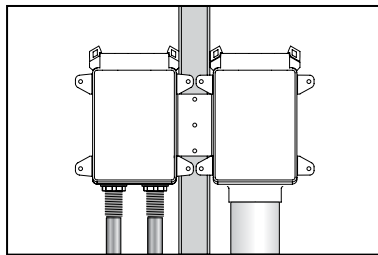


FIGURE 3

"separate stud bay" installation

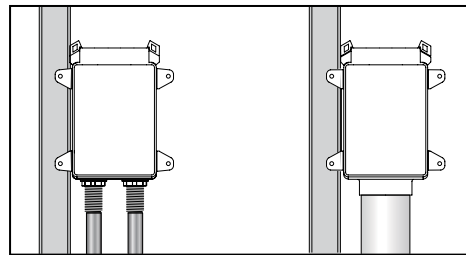


FIGURE 4

**THE FIRE-RATED OXBOX IS CERTIFIED BY INTERTEK/WARNOCK HERSEY TO THE FOLLOWING FIRE RATING STANDARDS:**

#### ASTM E-814

2 hours (F), 1½" hours (T)  
for 2-hour design  
1 hour (F), 31 mins (T)  
for 1-hour design

#### ASTM E119

#### CAN/ULC S115

2 hours (F), 1½" hours (T)  
for 2-hour design  
1 hour (F), 31 mins (T)  
for 1-hour design

#### UL 1479

