

Gas Ball Valve



2 Piece • Flare x Female Connection • 600 WOG



T-handle

Teardrop Handle

CRN# 0C16887.5469870YTN

T-204

Features

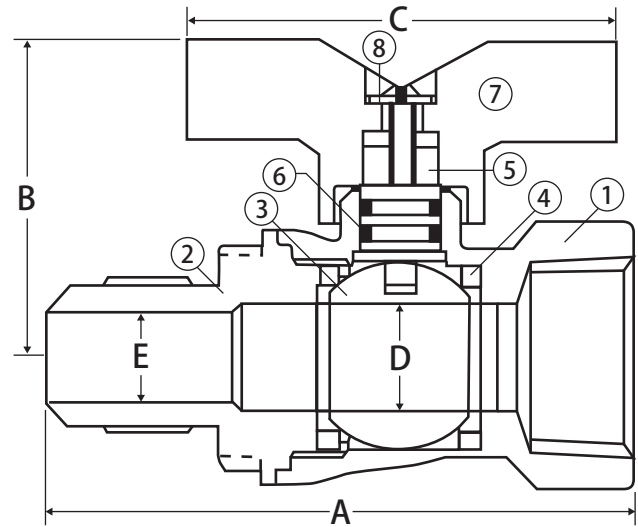
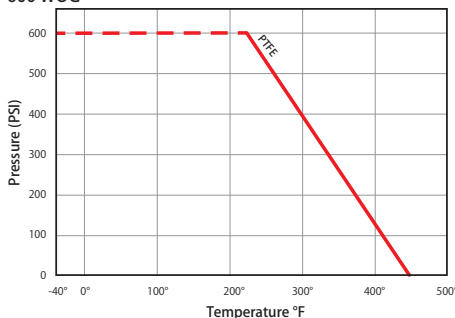
- Valve can be locked in the closed position by reversing the handle
- 2 Viton® o-rings
- 100% leak tested
- 100% Made in Italy
- Leakproof stem - Lifetime Warranty

Approvals

- UL Listed
 - YQNZ - Compressed gas shut-off valves
 - YRPV - Gas shut-off valves
 - YSDT - LP gas shut-off valves
 - MHKZ - Manual valves
 - YRBX - Flammable liquid shut-off valves
 - SFJQ - Valves, refrigerant
- CSA Certified
 - ANSI Z21.15 (.5 PSIG)
 - ASME B16.44 (5 PSI)
 - CGA CR91 (5 PSIG)
- ANSI B1.20.1
- MSS SP-110
- Flare Connection in accordance with NFPA 54/ANSI Z223.1

Valve Seat Rating

600 WOG



Material Specifications

No.	Part	Materials
1	Body	Brass - CW617N
2	End Connection	Brass - CW617N
3	Ball	Chrome Plated Brass - CW614N
4	Seat (2)	PTFE
5	Stem	Brass - CW614N
6	Stem O-ring (2)	Viton®
7	Handle	Aluminum
8	Handle Screw	Steel - Geomet® Plated

Dimensions

Part No.	Size	A	B	C	D	E
T-handle						
101-502	3/8" FL x 1/2" FIP	2.67	1.63	2.32	0.47	0.40
101-503	1/2" FL x 1/2" FIP	2.82	1.63	2.32	0.47	0.40
101-504	5/8" FL x 3/4" FIP	2.96	1.69	2.32	0.59	0.50
Teardrop Handle						
101-512	3/8" FL x 1/2" FIP	2.67	1.40	1.97	0.47	0.40
101-513	1/2" FL x 1/2" FIP	2.82	1.40	1.97	0.47	0.40