

**Specification Submittal Data / Panasonic Ventilation Fan**

**Description**

Ventilating fan shall be low noise ceiling mount type rated for continuous run. Fan shall be certified by the Home Ventilating Institute (HVI). Heating elements shall be included. Evaluated by Underwriters Laboratories and conform to both UL and cUL safety standards. Fan is not intended for installation over a tub/shower enclosure.

**Motor/Blower:**

- Four-pole totally enclosed condenser motor rated for continuous run.
- Power rating shall be 120 volts and 60 Hz.
- Motor equipped with thermal-cut-off fuse.
- Permanently lubricated plug-in motor.

**Housing:**

- Rust proof paint, galvanized steel body.
- 4" diameter duct adapter.
- Built-in backdraft damper.

**Grille:**

- Attractive design using ABS material.
- Attaches directly to housing with torsion springs.

**Heater:**

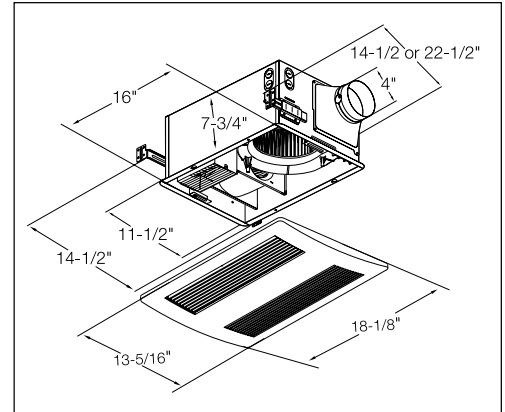
- Tubular steel sheathed heating element. Nichrome wire with magnesium oxide for optimal heat transfer and electrical insulation at elevated temperatures.
- 90 CFM super quiet, energy efficient blower motor.
- Quick 1-minute warm-up.

**Warranty:**

- 3-Year limited warranty.

**Architectural Specifications:**

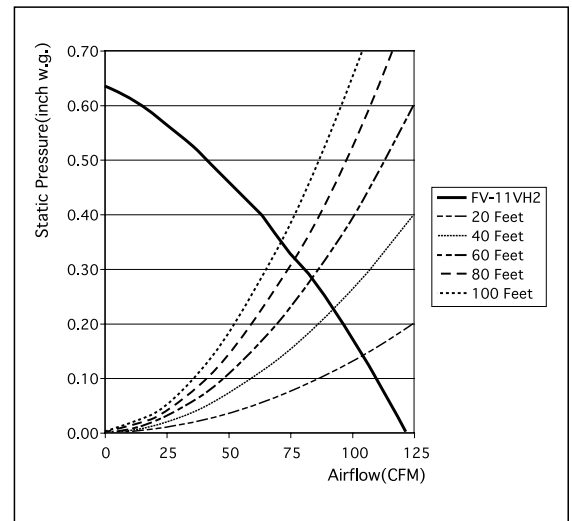
Ventilation fan and heat combination shall be ceiling mount, with no less than 110 CFM and no more than 0.6 sone as certified by the HVI at .1 static pressure in inches water gauge (w.g.) with no less than 89 CFM and no more than 1.1 sones at .25 w.g. Power Consumption shall be no greater than 30.7 Watts at .1 wg and 30.5 Watts at .25 w.g. With efficiency of no less than 3.6 CFM/Watt at .1 w.g. and 2.9 CFM/Watt at .25 w.g. The motor shall be totally enclosed, 4 pole condenser type engineered to run continuously. Power rating shall be 120v/60Hz. Duct diameter shall be no less than 4". Fan is not intended for installation over a tub/shower enclosure. Fan shall be ASHRAE 62.2, LEED, EarthCraft, California Title-24, and WA Ventilation Code compliant. Heating element shall be a Nichrome wire in a tubular steel



FV-11VH2

sheath construction with magnesium oxide for optimal heat transfer. Heating element power consumption shall be no less than 1400 watts. Heating feature shall include a 90CFM blower fan with energy efficient condenser type motor with quick 1-minute warm-up.

Specifications: <b>WhisperWarm FV-11VH2</b>		
Static Pressure in inches w.g.	0.1	0.25
Air Volume (CFM)	110	89
Noise (sones)	0.6	1.1
Power Consumption (watts)	30.7	30.5
Energy Efficiency (CFM/Watt)	3.6	2.9
Speed (RPM)	778	935
Heating Element (Watts)	1400	
Blower Fan (CFM)	90	
Blower Fan (Watts)	25	
Fan/Heater (Amps)	12.2	



For complete Installation Instructions visit [www.panasonic.com/building](http://www.panasonic.com/building)

Model	Quantity	Comments	Project:
			Location:
			Architect:
			Engineer:
			Contractor:
			Submitted by:
			Date:

**Panasonic Home and Environment Company**  
Division of Panasonic Corporation of North America  
One Panasonic Way  
Secaucus, NJ 07094  
[www.panasonic.com/building](http://www.panasonic.com/building)

