

# Cast Deckmount Sink Faucets 4" Centers

**TECK<sup>®</sup>**  
COMMERCIAL



## Specification: (example)

- **HEAVY DUTY CAST BRASS** sink faucet
  - 102mm (4") centers, two handle
  - Polished chrome plated finish
  - **BRASS** swing spout or 3/8" IPS **BRASS PIPE** Rigid/Swivel Gooseneck Spout
  - Metal hold-down package
  - Color indexed metal handles with vandal resistant screws
  - **CER-TECK<sup>®</sup>** 1/4 turn ceramic structures)
- and ... with ... Metal Pop-up (if applicable)  
 with ... (add spout required)  
 with ... (add outlet required)  
 with ... (add handle required)  
 with ... (add suffix **-LS** if required – See Back Page)  
 with ... (add suffix **-TI** if required – See Back Page)

**27C4834**



**27C4233**

### Engineer/Architect Approval

Model Specified:

Approval:

Date:

DESCRIPTION	PRODUCT NO.
<b>CAST Deckmount LESS Pop-up</b>	<b>27C4</b>
<b>CAST Deckmount WITH Pop-up</b>	<b>27C5</b>



SPOUT		OUTLET		HANDLE	
<b>0</b>	<input type="checkbox"/>	<b>0</b>	<input type="checkbox"/>	<b>0</b>	<input type="checkbox"/>
<b>1</b> 203mm (8") Wallform (S2) Swing Spout (2)	<input type="checkbox"/>	<b>1</b>	<input type="checkbox"/>	<b>1</b> Five Flute Handles	<input type="checkbox"/>
<b>2</b> 203mm (8") Tubular (S5) Swing Spout (2)	<input type="checkbox"/>	<b>2</b> Vandal Resistant 1.5 GPM (5.7 L/min.) Laminar w/Agion <sup>®</sup> Antimicrobial	<input type="checkbox"/>	<b>2</b> 102mm (4") Hooded Blade Handles (5)	<input type="checkbox"/>
<b>3</b> 152mm (6") Tubular (S3) Swing Spout (2)	<input type="checkbox"/>	<b>3</b> Vandal Resistant 1.5 GPM (5.7 L/min.) Flow Control Aerator	<input type="checkbox"/>	<b>3</b> 76mm (3") Lever Blade Handles (5)	<input type="checkbox"/>
<b>4</b>	<input type="checkbox"/>	<b>4</b> Standard 1.5 GPM (5.7 L/min.) Flow Control Aerator	<input type="checkbox"/>	<b>4</b> 102mm (4") Blade Handles, Sanitary Hoods (5)	<input type="checkbox"/>
<b>5</b>	<input type="checkbox"/>	<b>5</b> Vandal Resistant 0.5 GPM (1.9 L/min.) Flow Control Non-Aerating Spray Outlet	<input type="checkbox"/>	<b>5</b> 152mm (6") Wrist Handles, Sanitary Hoods	<input type="checkbox"/>
<b>6</b>	<input type="checkbox"/>	<b>6</b> Hose Thread Outlet	<input type="checkbox"/>	<b>6</b>	<input type="checkbox"/>
<b>7</b>	<input type="checkbox"/>	<b>7</b> Smooth End, Laminar Flow Control in Base of Gooseneck Spout 1.0 GPM (3.8 L/min.) (3)	<input type="checkbox"/>	<b>7</b>	<input type="checkbox"/>
<b>8</b> Heavy Duty 114mm (4 1/2") Bend Rigid/Swivel (R2) Gooseneck Spout (1) (4)	<input type="checkbox"/>	<b>8</b>	<input type="checkbox"/>	<b>8</b>	<input type="checkbox"/>
<b>9</b> Heavy Duty 152mm (6") Bend Rigid/Swivel (R4) Gooseneck Spout (1) (4)	<input type="checkbox"/>	<b>9</b>	<input type="checkbox"/>	<b>9</b>	<input type="checkbox"/>

(1) Available **Optional Rigid/Swivel Spouts**. These spouts can ONLY be added to **SPOUT Option No. 9**.

(2) Available **Optional Swing Spouts**. These spouts can ONLY be added to **SPOUT Option No. 2**.

(3) This outlet can ONLY be added to **SPOUT Option No.'s 8 or 9**.

(4) 120° Limited Swing Spout available. Add Suffix **-LS**.

(5) H & C Temperature Indicator Available. Add Suffix **-TI**.

Note: Use this page front and back as a product submittal sheet.

Flow Rates are at 60 PSI.

Refer to [www.specselect.com](http://www.specselect.com) for individual models.

Delta reserves the right (1) to make changes in specifications and materials, and (2) to change or discontinue models, both without notice or obligation. Dimensions are for reference only. See current full-line price book or [www.specselect.com](http://www.specselect.com) for finish options and product availability.

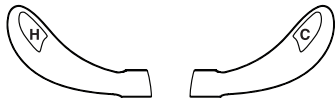
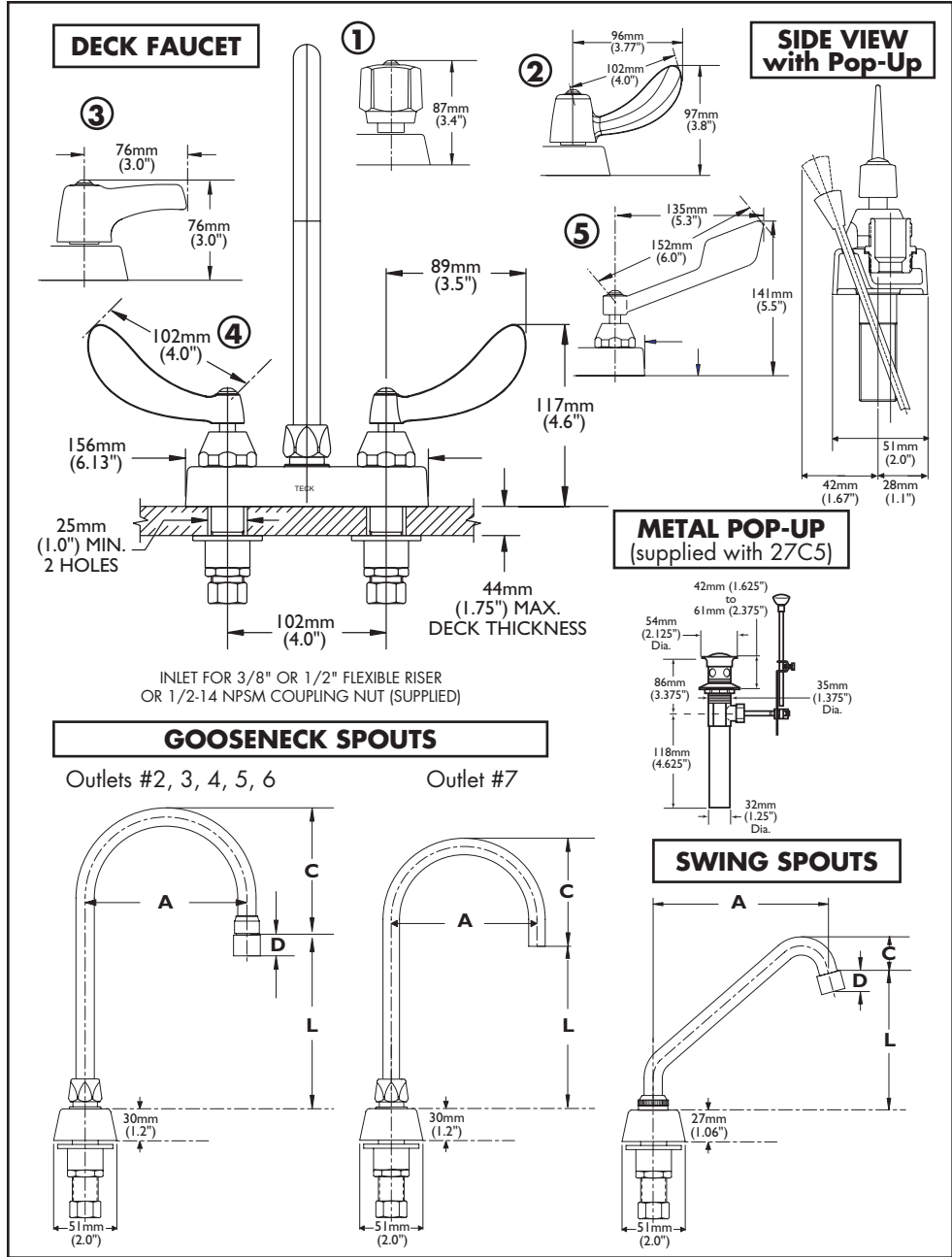
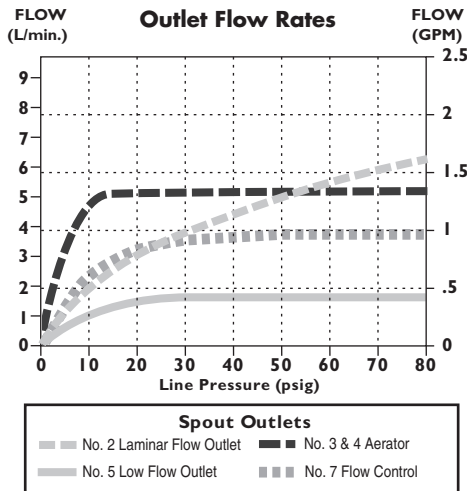
UDSP-27C45 Rev. B

**Approvals:**

- CSA certified
- Complies to ASME A112.18.1
- Lever Handle No. 2, 3, 4, and 5  
ADA Compliant and meets Handicapped  
Accessibility Standard ICC/ANSI A117.1  
of less than 5 lbs. operating force.
- Verified compliant with .25% weighted  
average Pb content regulations  
(Contact Delta Representative for State and/or  
Local Approvals.)


**HANDLE TEMPERATURE INDICATORS**

- Add suffix **"-TI"** to Product Number for handle temperature indicators "H" (red), "C" (blue).  
Available on handle options 2, 3 or 4 only.


**FLOW RATE vs PRESSURE**

**GOOSENECK SPOUT ASSEMBLY #8**

SPOUT/OUTLET	"A"		"C"		"L"	
	mm	in.	mm	in.	mm	in.
Gooseneck-Standard (R2) for outlets #2, 3, 4, 5, 6	114	4.5	104	4.1	170	6.7
Gooseneck-Standard (R2) for outlet #7	114	4.5	97	3.8	178	7.0

**GOOSENECK SPOUT ASSEMBLY #9**

SPOUT/OUTLET	"A"		"C"		"L"	
	mm	in.	mm	in.	mm	in.
Gooseneck-Standard (R4) for outlets #2, 3, 4, 5, 6	152	6	124	4.9	146	5.8
Gooseneck-Standard (R4) for outlet #7	152	6	117	4.6	152	6.0

**LIMITED SWING GOOSENECK**

- Add suffix **"-LS"** to Product Number for 120° Limited Swing

**SWING SPOUT ASSEMBLIES**

SPOUT NO.	SPOUT TYPE	"A"		"C"		"L"	
		mm	in.	mm	in.	mm	in.
1	8" Wallform Spout (S2)	206	8.1	15	0.6	130	5.1
2	8" Tubular Spout (S5)	185	7.3	41	1.6	147	5.8
3	6" Tubular Spout (S3)	140	5.5	38	1.5	107	4.2

**FOR OPTIONAL RIGID/SWIVEL & LIMITED SWING SPOUTS**

See DSP-R/S for detailed specification (Found in the "Add-On Option" section when using the printed spec binder)

**FOR OPTIONAL SWING SPOUTS**

See DSP-S/S for detailed specification (Found in the "Add-On Option" section when using the printed spec binder)

OUTLET NO.	"D"	
	mm	in.
2	18	0.69
3	18	0.69
4	17	0.67
5	18	0.69
6	17	0.67

**INLETS - 1/2" MIP/Coupling Nuts** Note: Measurements may vary ± 6mm (0.25")