

### Features

- Upgrade an existing installed DTV II primary interface (K-695) to a DTV+ interface (K-99693).
- Kit includes cover plate and all required cables to convert the existing components to work with the new DTV+ system controller and interface, including a wiring connection adapter to utilize existing in-wall cables.
- If the existing installation includes a Media Module (K-638), this component is not compatible with the DTV+ interface and must be removed from the system.
- If the audio/music feature of the media module is currently being used, this must be replaced by installing the DTV+ amplifier module (K-99696). The audio/music functionality is different from the media module. Refer to the amplifier product details for more information.
- If external lighting is controlled via the media module, this must be rewired to a wall switch. Refer to the installation instructions for more information.
- If installed, the auxiliary interface (K-686) must also be upgraded at the same time using the K-97171 conversion kit.
- Note that DTV II landscape primary interfaces (K-694) cannot be upgraded to the DTV+ interface.



### Codes/Standards

None Applicable

### KOHLER® Electronic Faucets, Valves, and Controls Five-Year Limited Warranty

See website for detailed warranty information.

### Material

- Premium material construction for durability and reliability.

### Installation

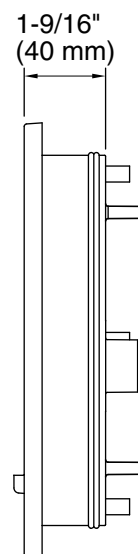
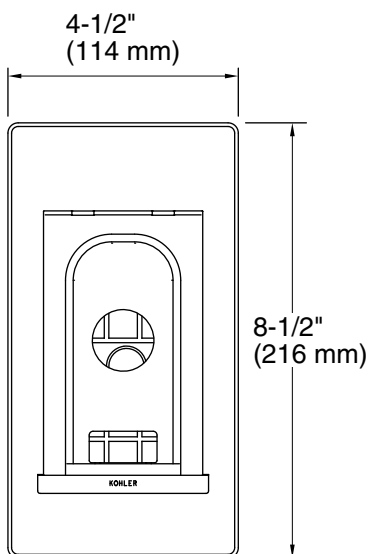
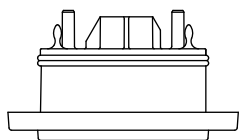
- The conversion kit cover plate attaches to the existing DTV I/ II interface wall sleeve. The new DTV+ interface clips into the cover plate (DTV+ mounting bracket is not required).

### Required Products/Accessories

K-99693 Digital Interface  
K-99695 System Controller Module

### Optional Products/Accessories

K-99696 Amplifier Module



### Technical Information

All product dimensions are nominal.

### Notes

Install this product according to the installation guide.