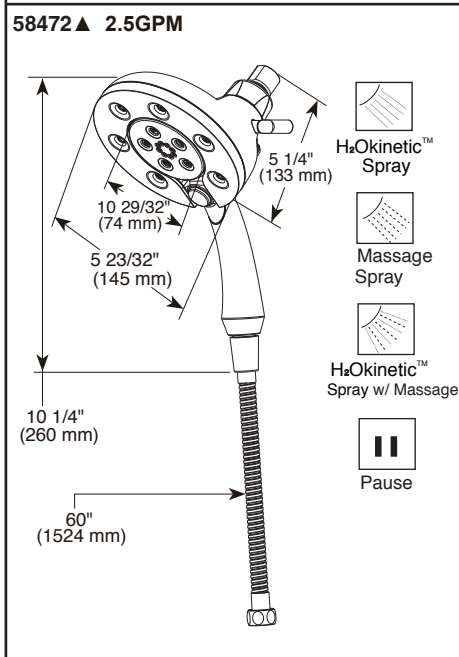
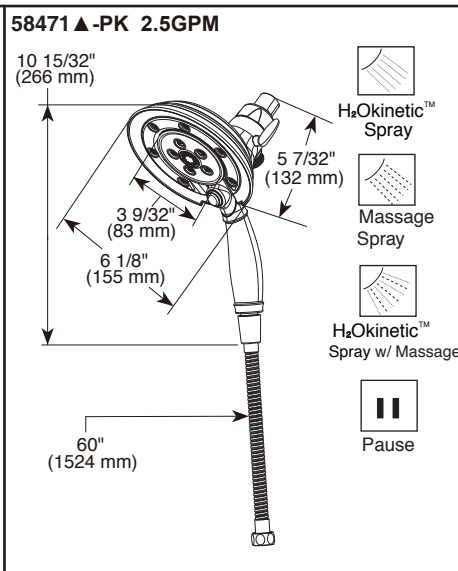
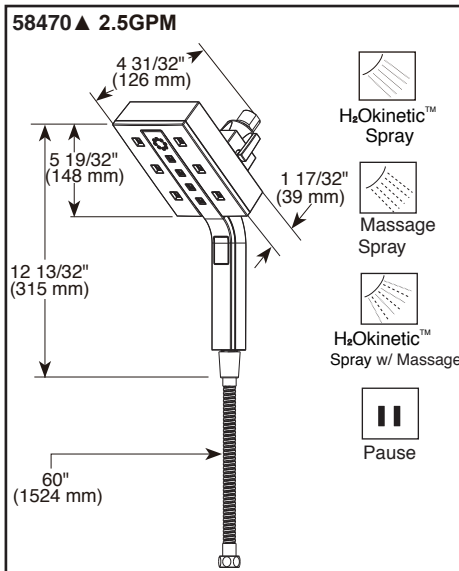


Submitted Model No.: _____
 Specific Features: _____



IN2ITION®

- 2-In-1 Shower
- H₂Okinetic Technology® Shower
- 4-Spray Settings Handshower
- Magnetite Docking
- Push Button Selection

STANDARD SPECIFICATIONS:

- Integrated handshower docks securely into showerhead when not in use.
- Multiple handshower spray settings.
- 3-Way diverter for extra spray options.
- Fixed showerhead and handshower all in one.
- Change spray modes with pushbutton.
- 60" (1524mm) stretchable metal hose, stretches to 82" (2083) for extra reach.
- Maximum water consumption 2.5 gpm (9.5 L/min) @ 80 psi.
- Actual water consumption 1.5 gpm (5.7 L/min) @ 45 psi (58470 & 58472), 1.6 gpm (6.2 L/min) @ 45 psi (58471).
- For use with automatic compensating valves rated at 1.5gpm (5.7 L/min) or less.

WARRANTY

- Lifetime limited warranty on parts (other than electronic parts and batteries) and finishes; or for commercial users, for 5 years from the date of purchase.
- 5 year limited warranty on electronic parts (other than batteries); or for commercial users, for 1 year from the date of purchase. No warranty is provided on batteries.

COMPLIES WITH

- ASME A112.18.1/CSA B125.1



55 E. 111th Street, Indianapolis, Indiana 46280
 350 South Edgeware Road, St. Thomas, Ontario Canada N5P 4L1
 © 2015 Masco Corporation of Indiana

▲ Designate proper finish suffix
 Delta reserves the right (1) to make changes in specifications and materials, and (2) to change or discontinue models, both without notice or obligation. Dimensions are for reference only. See current full-line price book or www.deltafaucet.com for finish options and product availability.
 DSP-B-58470 Rev. C