

# CORROSION-PROOF CLOSET BOLT

▶▶ 425/427 SERIES

PlumbPerfect™

## SPECIFICATION

Sioux Chief PlumbPerfect 100% corrosion-proof Nylon closet bolt shall be used to fasten floor-mounted water closets to the drainage flange. Bolts shall be lab tested to 1,100 lbs. tensile strength per bolt and feature engineered thread design for stronger, smoother threading. Bolt base shall pre-load into closet flange to remain upright and prevent spinning. Nut is sized for 1/2" socket or nut driver and is designed for use with bolt caps.

## MATERIALS

**Bolt:** Glass-filled Nylon

**Nut:** Glass-filled Nylon

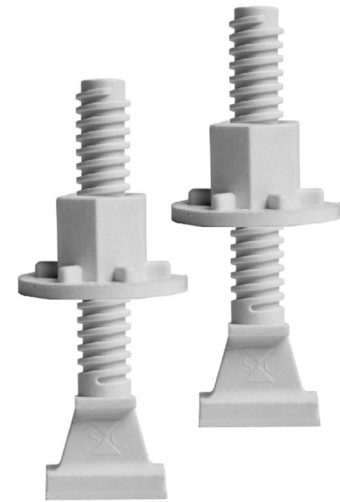
## TENSILE STRENGTH

1,100 lbs. per bolt

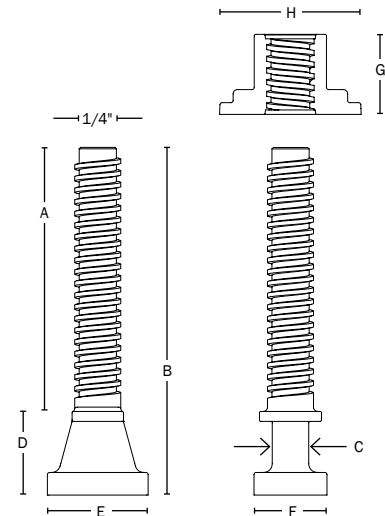
## DIMENSIONS

Item Series:	425	427
<b>A:</b> Thread height	1-13/16"	2-13/16"
<b>B:</b> Overall height	2-3/8"	3-3/8"
<b>C:</b> Inside track stem	1/4"	1/4"
<b>D:</b> Base height	9/16"	9/16"
<b>E:</b> Base length	11/16"	11/16"
<b>F:</b> Base width	1/2"	1/2"
<b>G:</b> Nut height	1/2"	1/2"
<b>H:</b> Nut base	1"	1"

ITEM # SUBMITTED	_____
JOB NAME	_____
LOCATION	_____
ENGINEER	_____
CONTRACTOR	_____
PO#	_____ TAG _____



425



Create Item Number

### A-B

e.g. **425-PB:** 2-3/8" nylon closet bolts with nylon nuts - pair bagged.

#### BOLT LENGTH A

**425** = 2-3/8" long bolt with nut

**427** = 3-3/8" long bolt with nut

#### PACKAGING OPTION B

Bulk is standard (100 bolts/nuts per box)

**PB** = Pair bagged (2 bolts/nuts per bag - 50 bags per box)