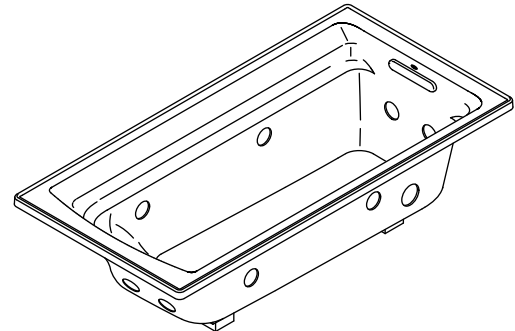


Features

- Acrylic
- 8 color-matched Kohler hydro-massage jets
- Pump with air switch and grounding-type plug-in cord
- In-line heater
- Slotted overflow for maximum bathing depth
- Low threshold height
- Integral lumbar support
- Armrests
- 72" (1829 mm) x 36" (914 mm) x 19" (483 mm)

6' BATH WHIRLPOOL WITH HEATER K-1124-H

ADA



Codes/Standards Applicable

Specified model meets or exceeds the following:

- ADA
- ICC/ANSI A117.1
- CSA B45.5/IAPMO Z124
- ASME A112.19.7
- ASTM E162
- ASTM E662
- UL 1795

Colors/Finishes

- 0: White
- Other: Refer to Price Book for additional colors/finishes

Accessories

- 0: White
- CP: Polished Chrome
- Other: Refer to Price Book for additional colors/finishes

Specified Model

Model	Description	Colors/Finishes	
K-1124-H	Drop-in bath whirlpool with heater	<input type="checkbox"/> 0	<input type="checkbox"/> Other_____
Required Accessories			
K-7271	Clearflo slotted overflow brass bath drain OR	<input type="checkbox"/> CP	<input type="checkbox"/> Other_____
K-7272	Clearflo slotted overflow bath drain – PVC pipe	<input type="checkbox"/> CP	<input type="checkbox"/> Other_____
Optional Accessories			
K-9529	Removable bath seat	<input type="checkbox"/> 0	

Product Specification

The acrylic bath whirlpool shall be 72" (1829 mm) in length, 36" (914 mm) in width, and 19" (483 mm) in height. Product shall have 8 color-matched jets and armrests. Product shall feature a pump with air switch and grounding-type plug-in cord. Product shall have an in-line heater. Product shall feature a slotted overflow for maximum bathing depth, low threshold height, and integral lumbar support. Bath whirlpool shall be Kohler Model K-1124-H-_____.

ARCHER™

Technical Information

Fixture*:	
Bathing well	
Basin area, bottom	51-3/8" (1305 mm) x 21" (533 mm)
Basin area, top	64-1/2" (1638 mm) x 30-1/2" (775 mm)
Weight	110 lbs (50 kg)
To overflow	
Water depth	15" (381 mm)
Capacity	72 gal (273 L)
* Approximate measurements for comparison only.	
Drop-in cut-out	70-1/2" (1791 mm) x 34-1/2" (876 mm)

Pump:	V	Hz	A
1-speed	120	60	7
Heater:	kW	V	Hz
	1.5	120	60
Pump is supplied with 24" (610 mm) grounding-type plug-in cord.			

Required Electrical Service

Two dedicated circuits required, each protected with Class A Ground-Fault Circuit-Interrupter (GFCI):	
Pump/control/Heater	120 V, 15 A, 60 Hz

Installation Notes

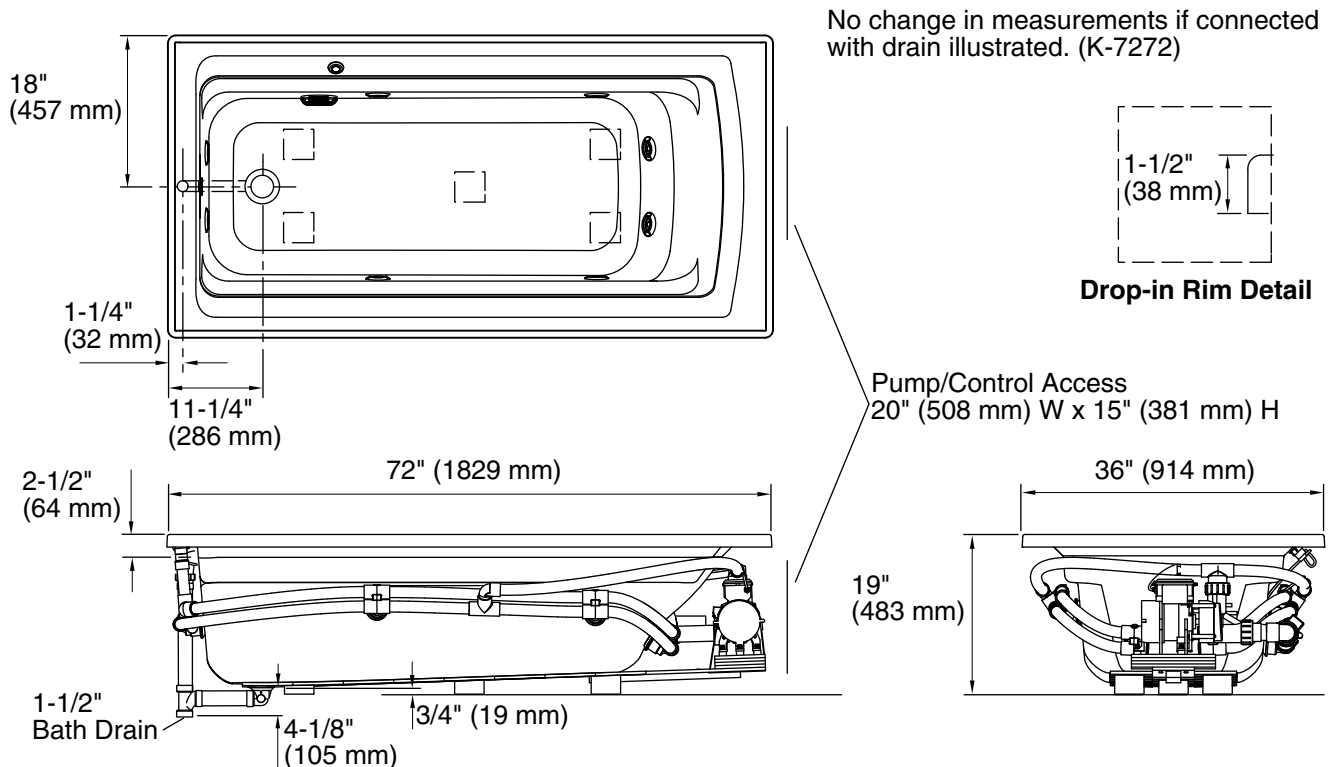
Install this product according to the installation guide.

Floor support under this product must provide for a minimum of 41 lbs/square foot (201 kg/square meter) loading.

This product is designed for drop-in installation only. It is not intended for use in a three-wall alcove with an overhead shower.

The hot water supply should be 70% of the capacity of the bath or greater. Installations will vary.

Will comply with **ADA** when installed per Section 607 Bathtubs of the Act.



Product Diagram