

# Aqua-Pure®

Spec # \_\_\_\_\_

Quantity \_\_\_\_\_

## Models:

**AP-RO5500**

*Reverse Osmosis  
Drinking Water System*

### Applications:

- High Quality Water
- Particulate/Rust<sup>1</sup>
- Chlorine Taste & Odor
- Reduction of:  
Lead, Arsenic, TDS, Turbidity, Cysts, Radium,  
Barium, Cadmium, Chromium, Copper,  
Fluoride & Selenium

### At a Glance:

- Quick change filter cartridge
- Installation hardware and faucet included
- Manufactured from FDA CFR-21 compliant materials

### Product Benefits:

- Advanced four stage filtration process to help provide superior quality drinking water at less cost than bottled water
  1. Five micron particulate & rust filtration
  2. Activated carbon filtration
  3. Reverse osmosis membrane
  4. Final activated carbon polishing filtration
- Universal system design that may be used on chlorinated or non-chlorinated, municipal or well systems
- High flux, thin film composite RO membrane that helps provide high quality water production rate, at 25 gallons (95 liters)<sup>2</sup> per day
- Advanced automatic shut-off helps promote peak efficiency and water conservation
- Includes long reach faucet, 2.4 gallon (9.1 liter) tank and necessary water/ drain connections
- Sanitary quick change cartridge design to help provide fast easy cartridge change with minimal effort



**AP-RO5500**

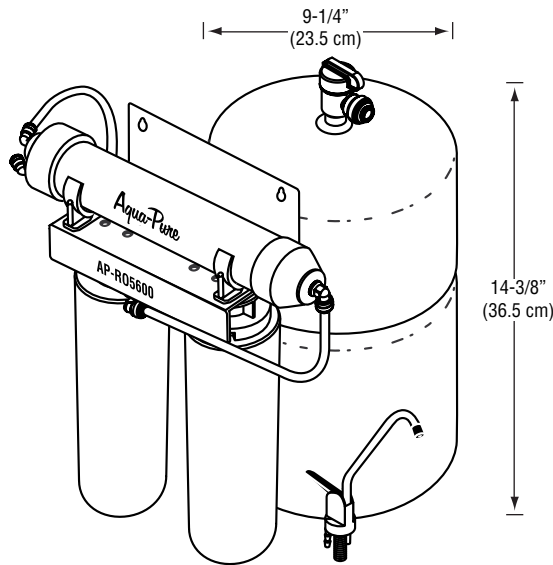
### Product Specifications:

| Component             | Inlet/<br>Outlet<br>Size | Dimensions<br>(L x W x H)                           | Approx.<br>Weight    | Capacity  | Min. TDS<br>Reduction | Max.<br>Influent<br>TDS | Max.<br>Water<br>Temp. | Max.<br>Water<br>Pressure | System<br>Production <sup>1</sup> |
|-----------------------|--------------------------|---|----------------------|---|-----------------------|-------------------------|------------------------|---------------------------|-----------------------------------|
| RO Module<br>Assembly | 1/4"<br>Inlet<br>Tubing  | 14-5/8 x 5-5/8 x 14-1/8"<br>(37.2 x 14.3 x 35.9 cm) | 19 lbs.<br>(8.6 kg)  | N/A   | 95%                   | 2,000<br>ppm            | 100°F<br>(38°C)        | 125 psi<br>(862 kPa)      | 11 gpd<br>(41.6 lpd)              |
| Storage Tank          | 3/8"<br>Outlet<br>Tubing | 9-1/4 x 14-3/8"<br>(23.5 x 36.5 cm)                 | 6.8 lbs.<br>(3.1 kg) | 2.4 gal. w/60 psi feed<br>(9.1 lit. w/414 kPa feed) | N/A                   | N/A                     |                        |                           | N/A                               |
| AP5527<br>Requires 2  | N/A                      | 7.5 x 7.5 x 15"<br>(19 x 19 x 38 cm)                | 6.4 lbs<br>(2.9 kg)  | 2,500 gallons<br>(9,463 liters)                     | N/A                   | N/A                     |                        |                           | N/A                               |

<sup>1</sup> Tested and verified by manufacturer's laboratory

<sup>2</sup> Flow rates are based on RO Membrane Module capabilities. Actual daily production rates can vary by up to 50%.

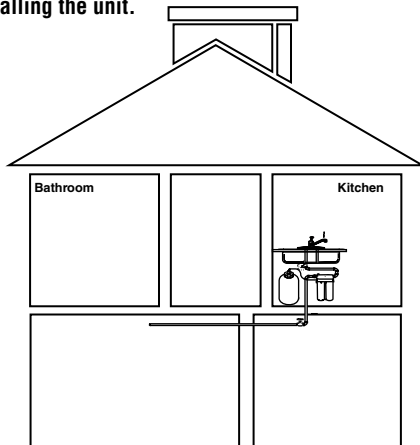
# Aqua-Pure®



AP-R05500

## Easy Installation:

**CAUTION:** Diagram shown is for reference purposes only. Read installation and operation manual prior to installing the unit.



## Limited Warranty:

3M Purification Inc. warrants this Product will be free from defects in material and manufacture for the period of one (1) year from the date of purchase. This warranty does not cover failures resulting from abuse, misuse, alteration or damage not caused by 3M Purification Inc. or failure to follow installation and use instructions. No warranty is given as to the service life of any filter cartridge or membrane as it will vary with local water conditions and water consumption. **3M PURIFICATION INC. MAKES NO OTHER WARRANTIES OR CONDITIONS, EXPRESS OR IMPLIED, INCLUDING, BUT NOT LIMITED TO, ANY IMPLIED WARRANTY OR CONDITION OF MERCHANTABILITY OR FITNESS FOR A PARTICULAR PURPOSE OR ANY IMPLIED WARRANTY OR CONDITION ARISING OUT OF A COURSE OF DEALING, CUSTOMER OR USAGE OF TRADE.** If the Product fails to satisfy this Limited Warranty during the warranty period, 3M Purification Inc. will replace the Product or refund your Product purchase price. This warranty does not cover labor. **The remedy stated in this paragraph is Customer's sole remedy and 3M Purification Ind.'s exclusive obligation.** For additional information, see the entire Limited Warranty located in the product Installation and Operating Instruction Manual.

Spec #

Quantity

Model Number

Part Number

## Specifications:

- 1/4" Inlet Tubing
- 3/8" Outlet Tubing
- System is manufactured from FDA CFR-21 compliant materials
- System has a maximum operating pressure of 125 psi (862 kPa) and operating temperature of 100°F (37.8°C)
- System includes long reach faucet, 2.4 gallon (9.1 liter) tank and necessary water/drain connections
- System to be installed on primary kitchen cold water line

### Media Options

| Model    | Description                   | Change-Out Interval           | Quantity |
|----------|-------------------------------|-------------------------------|----------|
| AP5527   | 1 Pre-Filter<br>1 Post-Filter | Once every twelve (12) months | 2        |
| APRM5500 | RO Membrane                   | Once every three (3) years    | 1        |

**⚠ WARNING: Do not use with water that is microbiologically unsafe or of unknown quality without adequate disinfection before or after the system.** The contaminants or other substances removed or reduced by this water filter are not necessarily in all users water. Systems certified for cyst reduction may be used on disinfected water that may contain filterable cysts.

EPA Establishment Number 070595-CT-001

3M Purification Inc. recommends regularly scheduled maintenance and replacement of the filter cartridge(s) in order for the product to perform as advertised/sold. **Change the pre and post filter cartridges at least every 12 months. Improper installation and maintenance may result in property damage due to water leakage.**

**3M**

3M Purification Inc.  
400 Research Parkway  
Meriden, CT 06450 U.S.A.  
Toll Free: 1.800.222.7880  
Worldwide: 203.237.5541  
Fax: 203.238.8701  
www.aquapure.com • www.3mpurification.com



Visit [www.nsf.org](http://www.nsf.org) for the claims associated with products that are NSF listed.

System tested and certified by NSF International against NSF/ANSI Standards 42 and 58 and CSA B483.1

Distributed by:

3M is a trademark of 3M Company.  
Aqua-Pure is a trademark of 3M Company used under license.  
NSF is a trademark of NSF International.  
© 2013 3M Company. All rights reserved.  
70020192517 REV 0513