




Lavatory Faucets

Widespread with CER-TECK® ceramic structures

Model No: 23C674-R4

COMPLIES WITH:

- CSA certified
- Complies to ASME A112.18.1/CSA B125.1
- Verified compliant with 0.25% weighted average Pb content regulations
-  Handles No. 2, 3, 4, and 5
Indicates compliance to ICC/ANSI A117.1
- Outlet options 2, 3, 4 and 7 are EPA WaterSense listed
- (Contact Delta Representative for State and/or Local Approvals)



SPECIFICATION:

- Two handle widespread lavatory faucet
- 152 to 305mm (6" to 12") adjustable centers
- Polished chrome plated finish trim
- CAST BRASS bodies
- 4 1/2" CAST BRASS spout or 3/8" IPS BRASS PIPE Rigid/Swivel Gooseneck Spout
- Metal hold-down package
- Color indexed metal handles with vandal resistant screws
- CER-TECK® 1/4 turn ceramic structures
- Spout: R4 - Gooseneck spout-6.0" spout reach - 10.4" height (unmounted)- Standard rigid/swivel field installation unless LS Limited swing option selected- Vandal resistant .090" wall thickness-(R4)
- Outlet#: 7 - Smooth Spout End with Laminar Flow Control in Spout Base - 1.0 GPM (3.8L/min)
- Handle#: 4 - 102 mm (4") Blade Handles- ADA Compliant-Sanitary Hoods- Metal-Color indexed-Vandal resistant screws
- Heavy Duty Rigid/Swivel Inline (R2) Gooseneck Spout Less Pop-up

OPERATION:

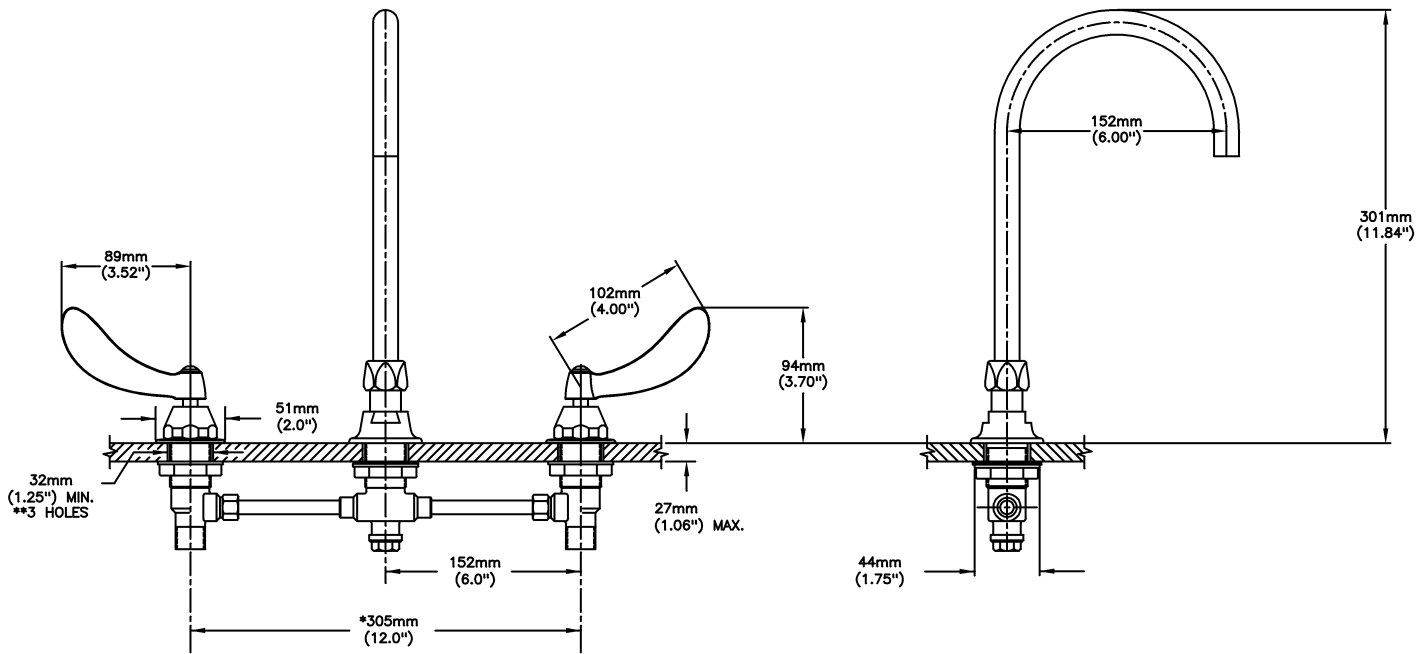
- Not Available

(Dimensional drawing on following page)

Delta reserves the right (1) to make changes to specifications and materials, and (2) to change or discontinue models, both without notice or obligation. Dimensions are for reference. Measurement may vary plus or minus 6mm(0.25"). Mounting locations are suggested only. Check with local codes for requirements in your area. This spec was produced July 22, 2018.

Delta Faucet Company - 55 East 111th St. - Indianapolis, Indiana, USA 46280 - (317) 848-1812
Delta Faucet Canada - 395 Matheson Blvd E - Mississauga, Ontario, Canada L4Z 2H2 - (905) 712-3030

Model No: 23C674-R4



* CAN BE CUT IN FIELD TO 152mm (6.0") MINIMUM

INLET FOR 3/8" OR 1/2" FLEXIBLE RISER
OR 1/2-14 NPSM COUPLING NUT (NOT SUPPLIED)

Delta reserves the right (1) to make changes to specifications and materials, and (2) to change or discontinue models, both without notice or obligation. Dimensions are for reference. Measurement may vary plus or minus 6mm(0.25"). Mounting locations are suggested only. Check with local codes for requirements in your area. This spec was produced July 22, 2018.

Delta Faucet Company - 55 East 111th St. - Indianapolis, Indiana, USA 46280 - (317) 848-1812
Delta Faucet Canada - 395 Matheson Blvd E - Mississauga, Ontario, Canada L4Z 2H2 - (905) 712-3030