

### Features

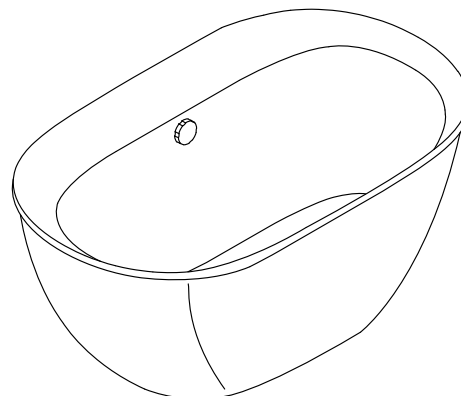
- Freestanding design creates a striking focal point in your bathing area.
- Fluted-shaped basin offers a graceful and spacious bathing experience.
- 16" depth offers a deep soaking experience.
- Sloped lumbar support on both ends.
- Extra-wide deck simplifies installation of faucet and overflow.
- 3.75" drain-to-floor clearance for above-floor drain installation.
- Bottom surface manufactured with textured appearance.

### Material

- Acrylic.

### Installation

- Center rear drain.



### Codes/Standards

CSA B45.5/IAPMO Z124  
ASTM E162  
ASTM E662


### Warranty – Bathing Fixtures (and) Kitchen and Utility Sinks Made of Solid Vikrell® Material

See website for detailed warranty information.

### Available Colors/Finishes

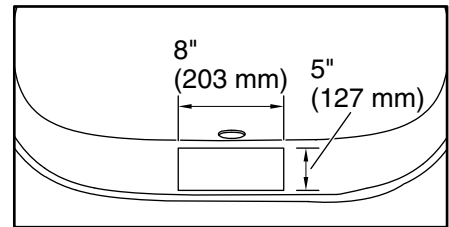
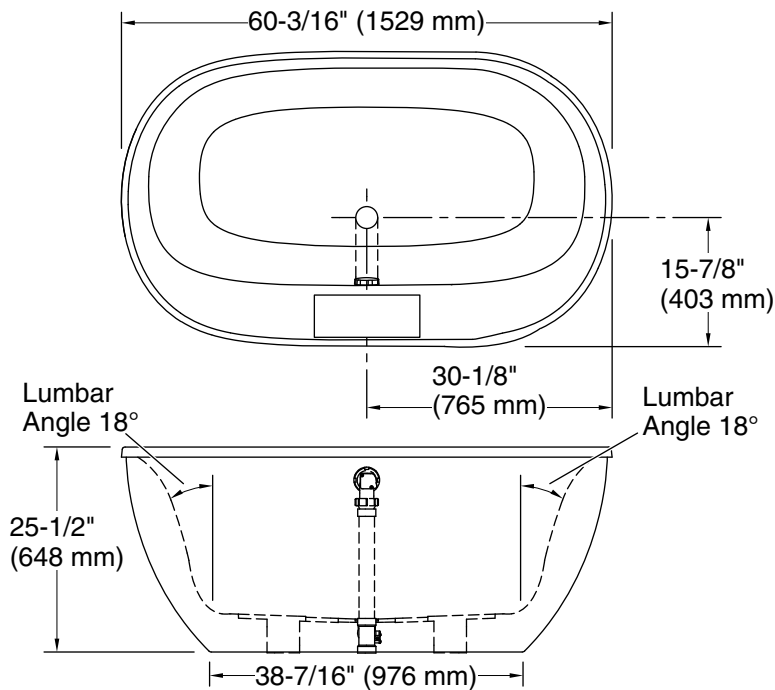
*Color tiles intended for reference only.*

Color	Code	Description
-------	------	-------------

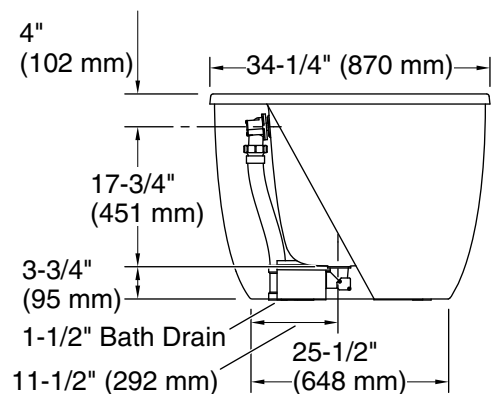
	0	White
--	---	-------

No change in measurements if connected with KOHLER drain illustrated. (K-7213)

□ Recommended Faucet Location



Recommended Faucet Hole Location



### Technical Information

All product dimensions are nominal.

Installation:	Freestanding
Drain location:	Center rear
Basin area, bottom:	39-9/16" x 20-1/4" (1005 mm x 515 mm)
Basin area, top:	53-1/2" x 24-3/4" (1359 mm x 629 mm)
Water depth:	15-7/8" (403 mm)
Water capacity:	59.34 gal (224.6 L)

### Notes

Install this product according to the installation instructions.

Measure your actual product for roughing-in details.

The hot water supply should be 70% of the capacity of the bath or greater. Installations will vary.

This bath is designed for freestanding installation only.

If installing a rim-mount faucet, make sure there is no interference above or below the deck before drilling any holes.